



# TAI-SAW TECHNOLOGY CO., LTD.

No. 3, Industrial 2nd Rd., Ping-Chen Industrial District,  
Taoyuan, 324, Taiwan, R.O.C.

TEL: 886-3-4690038 FAX: 886-3-4697532

E-mail: [tstsales@mail.taisaw.com](mailto:tstsales@mail.taisaw.com) Web: [www.taisaw.com](http://www.taisaw.com)

## Approval Sheet For Product Specification

Issued Date: July, 4, 2007

Product Name: SAW Filter 2250 MHz SMD 3.0X3.0 mm

TST Parts No.: TA0700A

Customer Parts No.: \_\_\_\_\_

Company: _____
Division: _____
Approved by : _____
Date: _____

Checked by: \_\_\_\_\_ Bob Chau

Approval by: \_\_\_\_\_ Francis Chen

Date: \_\_\_\_\_ 7, 4, 2007



# TAI-SAW TECHNOLOGY CO., LTD.

No. 3, Industrial 2nd Rd., Ping-Chen Industrial District,  
Taoyuan, 324, Taiwan, R.O.C.

TEL: 886-3-4690038 FAX: 886-3-4697532

E-mail: [tstsales@mail.taisaw.com](mailto:tstsales@mail.taisaw.com) Web: [www.taisaw.com](http://www.taisaw.com)

## SAW Filter 2250 MHz

MODEL NO.:TA0700A

REV. NO.:1

### A. MAXIMUM RATING:

1. Input Power Level: 10 dBm
2. DC Voltage : 3V
3. Operating Temperature: -20°C to +70°C
4. Storage Temperature: -40°C to +85°C

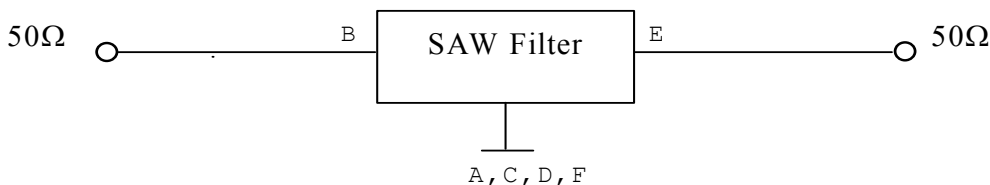
RoHS Compliant  
Lead free  
Lead-free soldering

### B. ELECTRICAL CHARACTERISTICS:

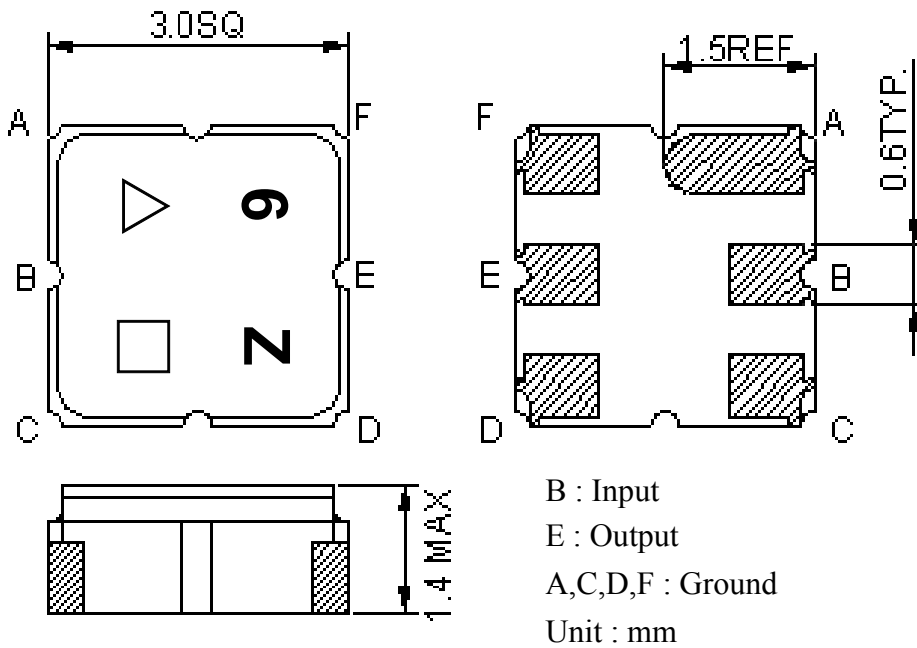
Item	Unit	Min.	Type.	Max.	Note
Center Frequency <b>Fc</b>	MHz	-	2250	-	-
Insertion Loss (2200 ~ 2300 MHz) <b>IL</b>	dB	-	3.2	4.5	-
Amplitude Ripple (2200 ~ 2300 MHz)	dB	-	1.9	3	-
VSWR (2200 ~ 2300 MHz)		-	1.9	2.5	-
<b>Attenuation</b> (Reference level from 0 dB)					
D.C. ~ 2160 MHz	dB	25	28	-	-
2340 ~ 4000 MHz	dB	25	32.5	-	-

### C. MEASUREMENT CIRCUIT:

HP Network analyzer



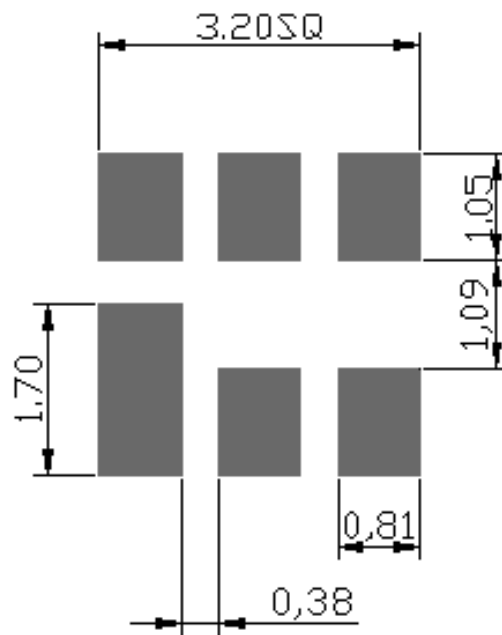
**D.OUTLINE DRAWING:**



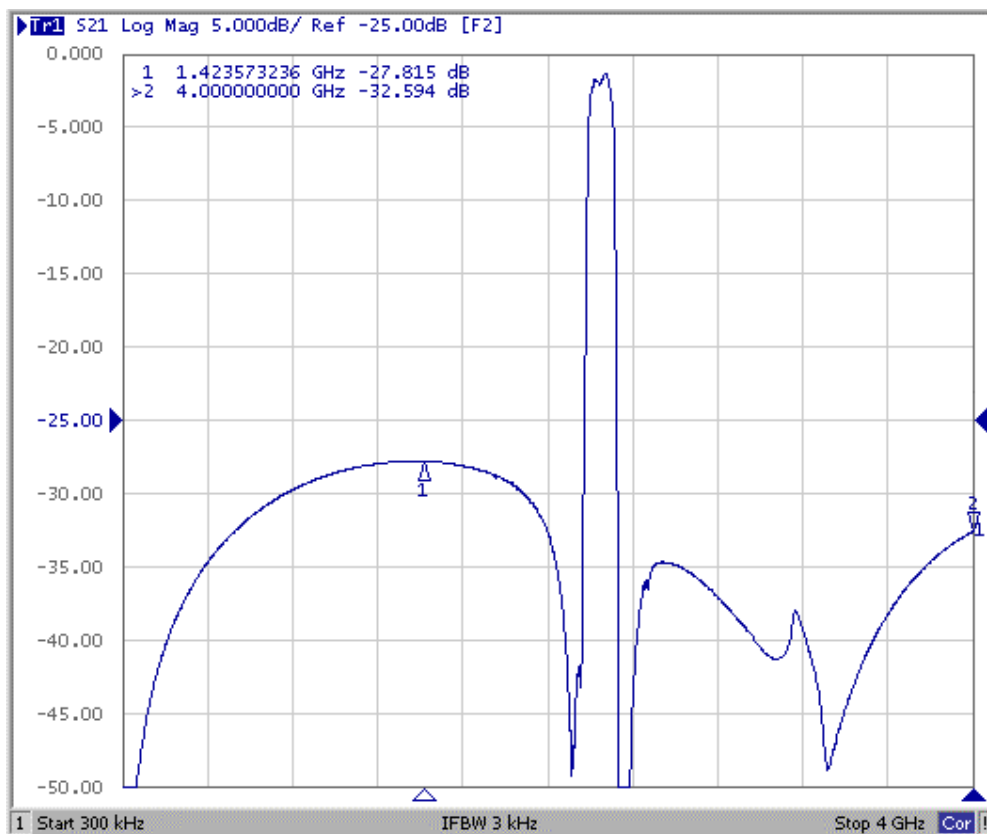
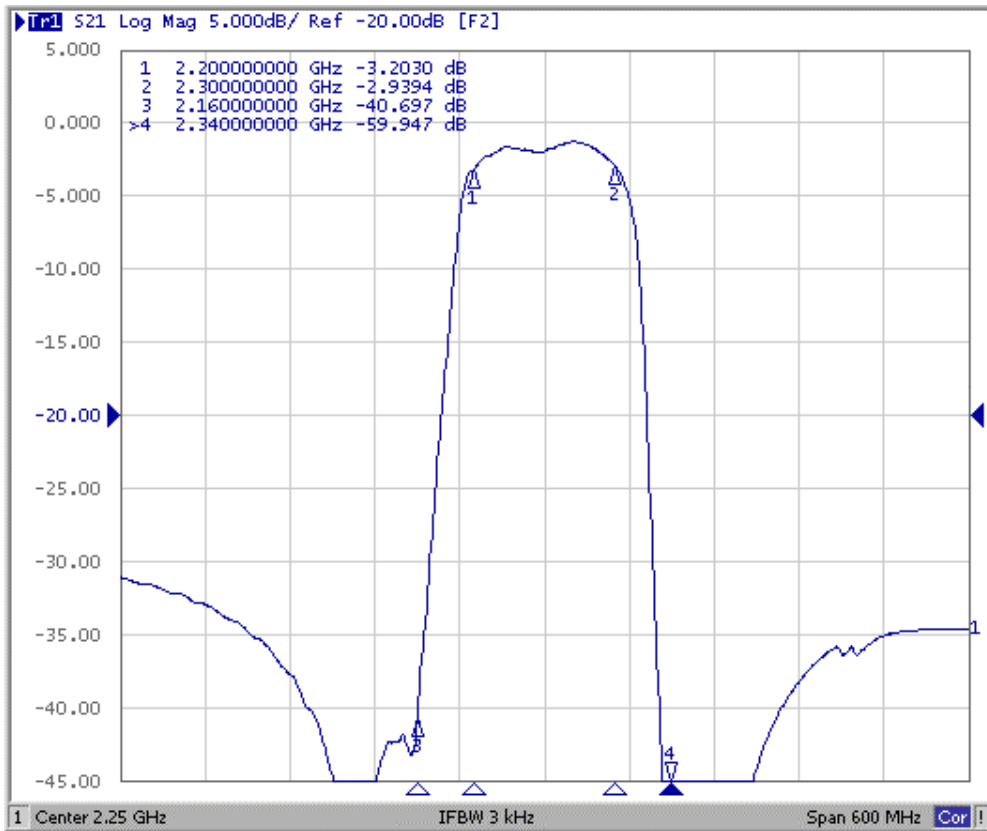
△ : Year Code (2006->6, ..., 2009->9)

□ : Date Code (Follow the table from planner each year)

**E. PCB Footprint:**

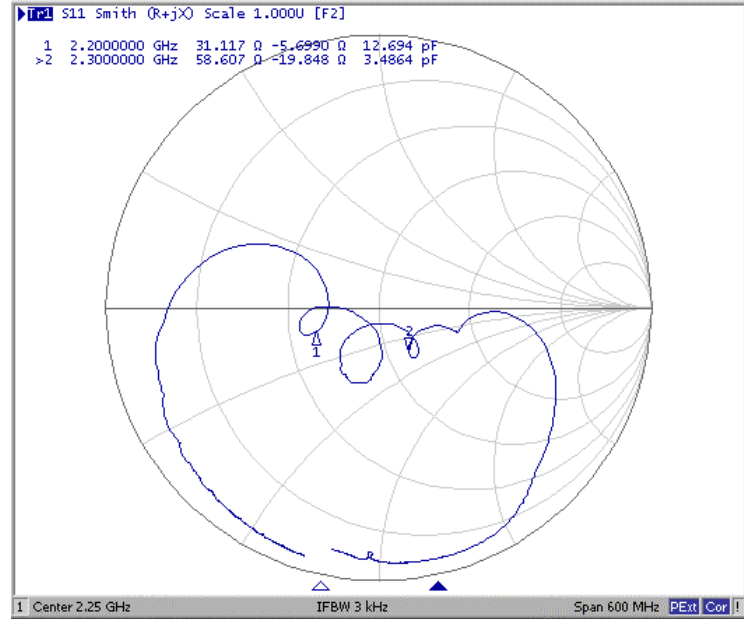
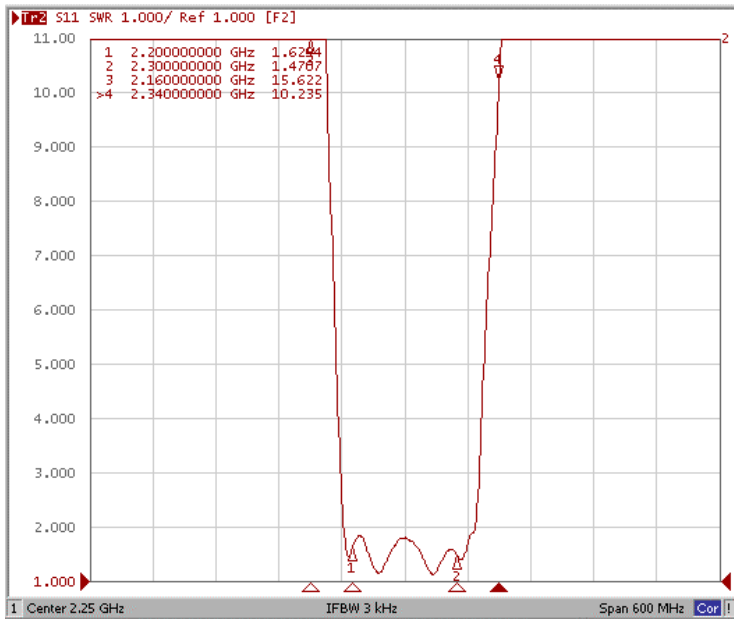


## F. Frequency Characteristics :

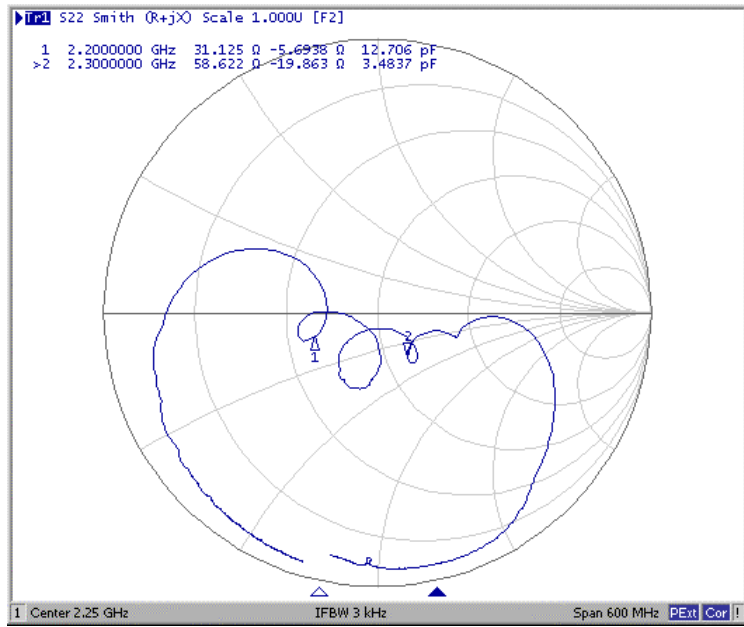
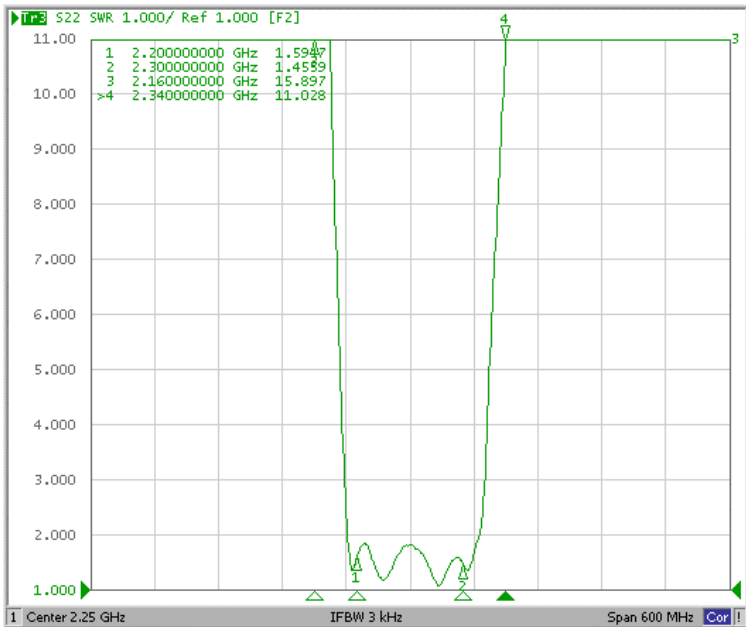


# Reflection Functions :

## S11



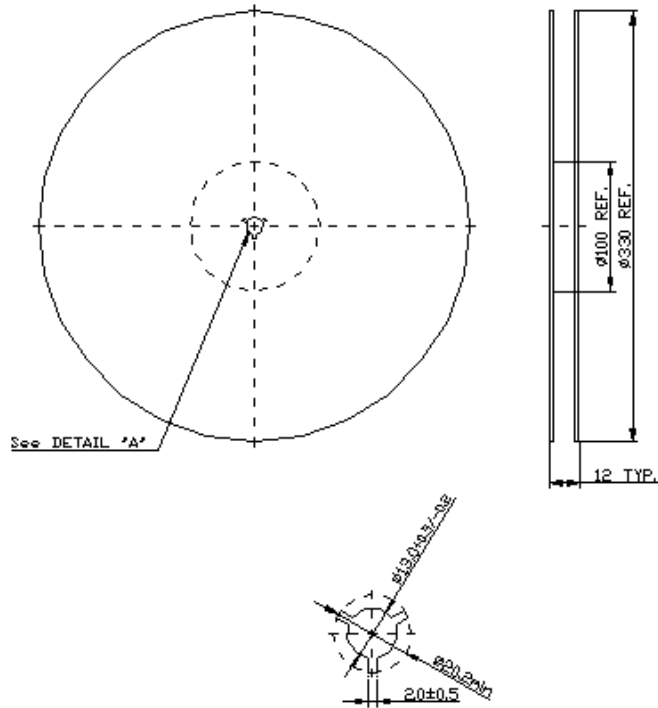
## S22



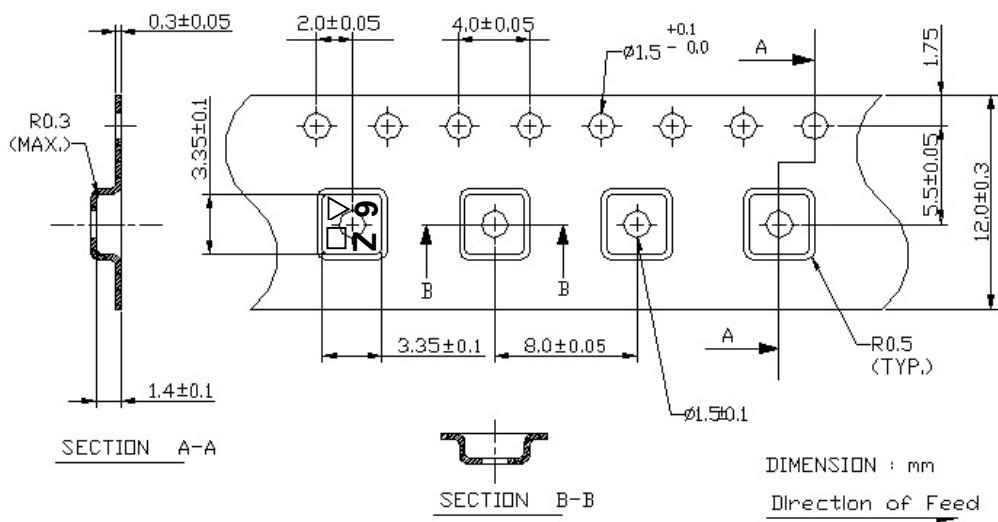
**G. PACKING:**

**1. REEL DIMENSION**

(Reel Count : 7"=1000 ; 13"=3000 )



**2. TAPE DIMENSION**



**H. RECOMMENDED REFLOW PROFILE :**

