

Push-on Semi-Rigid and Semi-Flexible Cable Type Connectors



- The PDM series is a connector changed from the screw lock method of the SMA connector to pushing on the method.
- Because the connector can be detached in one-touch, operativeness is good.
- The plug connector is strong in the chape in the closed entry structure.

SPECIFICATION

Characteristic Impedance	50 Ω
Dielectric withstanding voltage	1000V AC (rms) for 1 minute
Insulation resistance	1000M Ω min. at 500V DC
Contact resistance	3m Ω max.
Applicable Cable	UT-85,UT-141A
VSWR	1.3max. at DC~3GHz

Specifications depends on each connector although these are basic specifications.

MATERIAL/FINISH

Contact	Copper alloy/Gold plating
Insulators	PTFE
Shell	Copper alloy/Nickel plating

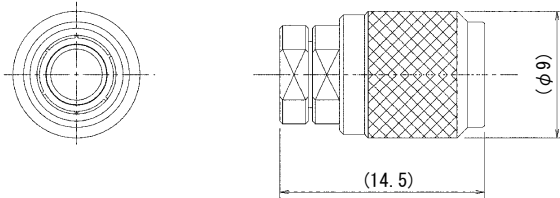
Pull-out Tool

P/N:357J-14474

Please ask us for the cable assemblies to assure its performance.

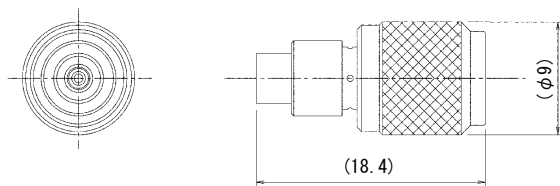
■ Plug Connector

Semi-Rigid and Semi-Flexible Cable Type

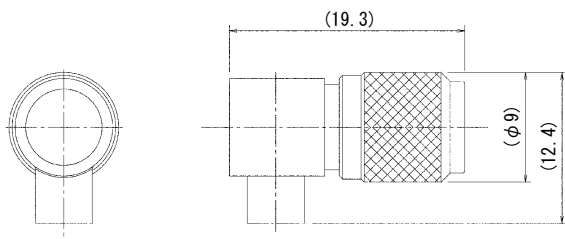


P/N	Applicable Cable
PDM-SP-141-SO	UT-141A , FCCAVG0

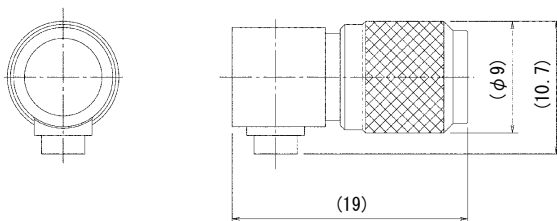
Note:without center contact.



P/N	Applicable Cable
PDM-SP-85-SO	UT-85 , FCCAVG1



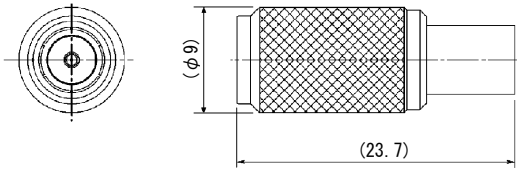
P/N	Applicable Cable
PDM-LP-141-SO	UT-141A , FCCAVG0



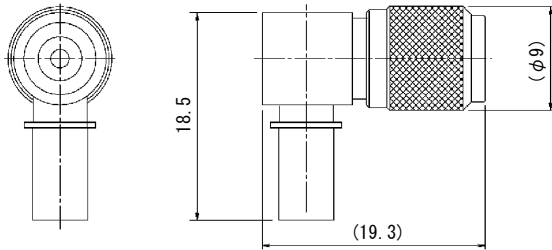
P/N	Applicable Cable
PDM-LP-85-SO	UT-85 , FCCAVG1

■ Plug Connector

Crimp Type



P/N	Applicable Cable	Hand Crimp Tool P/N
PDM-SP-1.5DW-CR1	1.5D-QEW	CR-H-1156
PDM-SP-2.5DHQS-CR1	2.5D-HQ · SUPER	CR-H-1163
	2.6D-XFU-A	

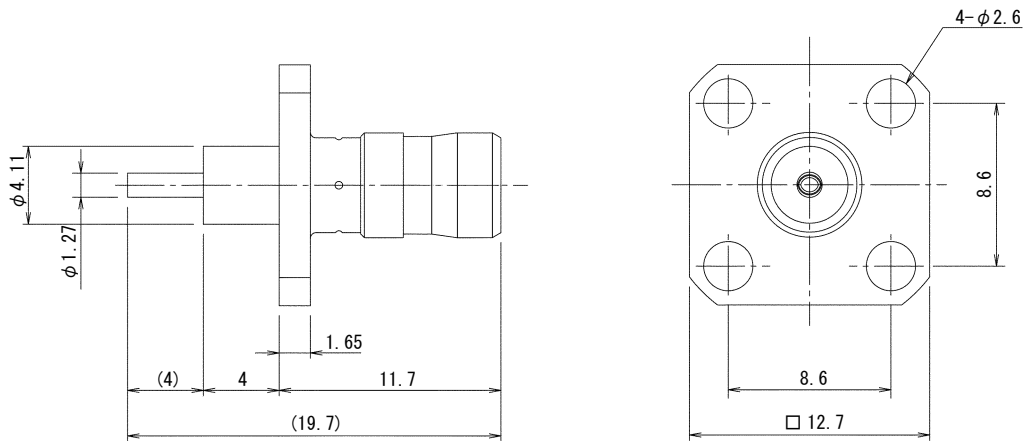


P/N	Applicable Cable	Hand Crimp Tool P/N
PDM-LP-1.5DW-CR1	1.5D-QEW	CR-H-1156
PDM-LP-2.5DV-CR1	2.5D-2V	CR-H-1163

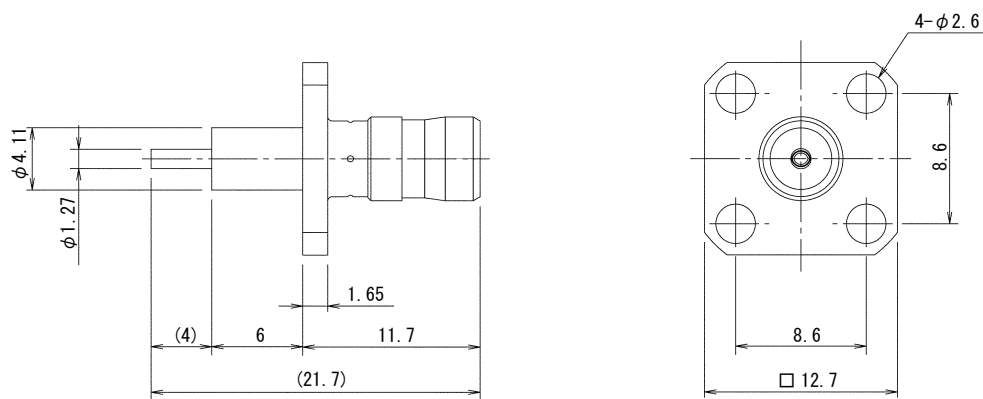
■ Receptacle Connector

Panel Mounting Type/Four Hole

PDM-SR



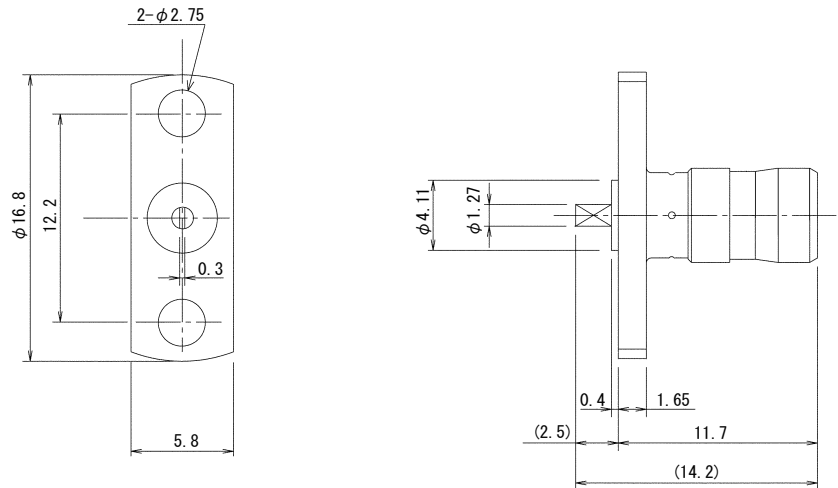
PDM-SR-7



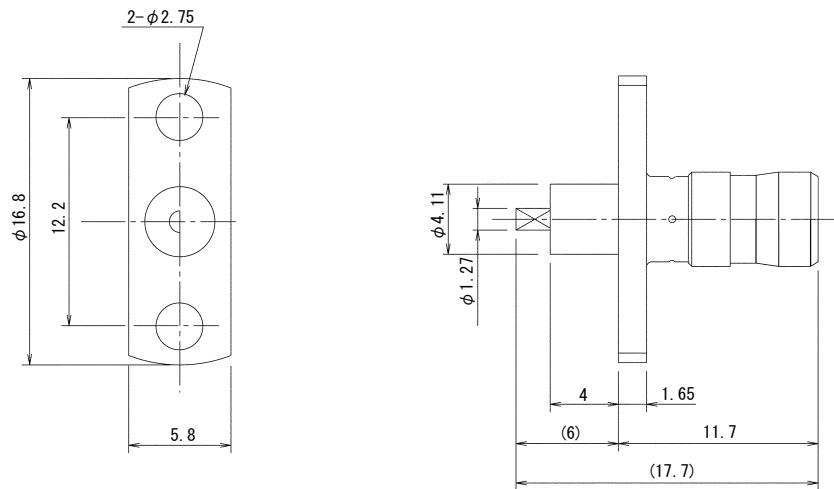
Receptacle Connector

Panel Mounting Type/Two Hole

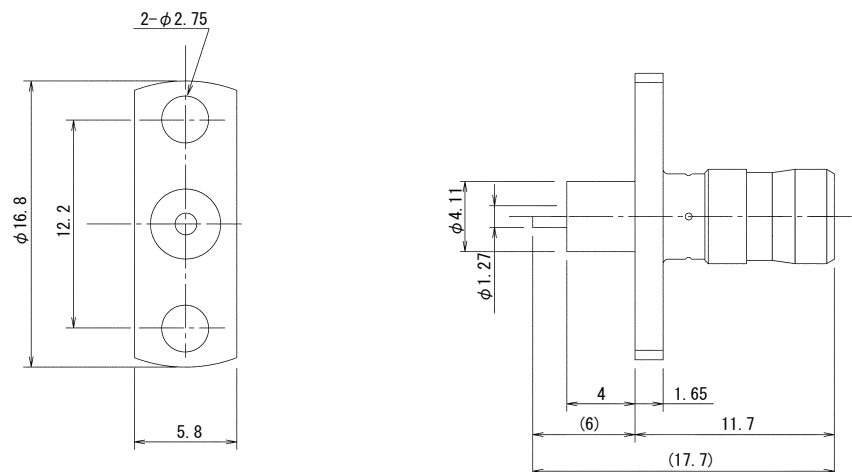
PDM-SR2



PDM-SR2-D1

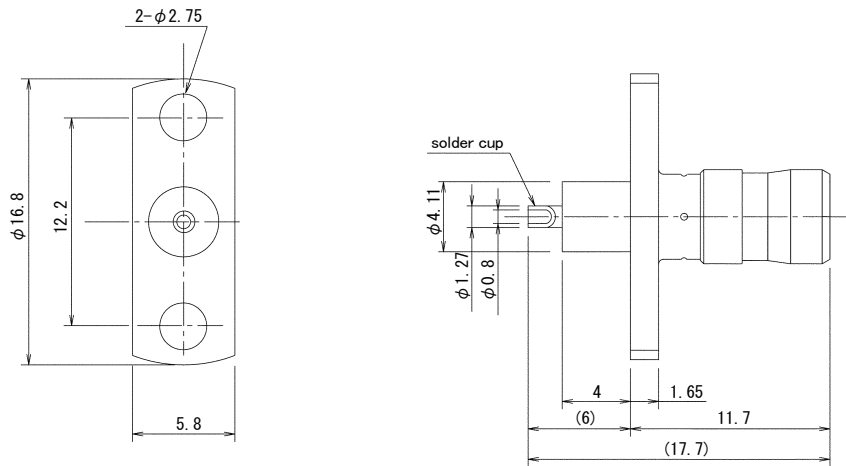


PDM-SR2-D4

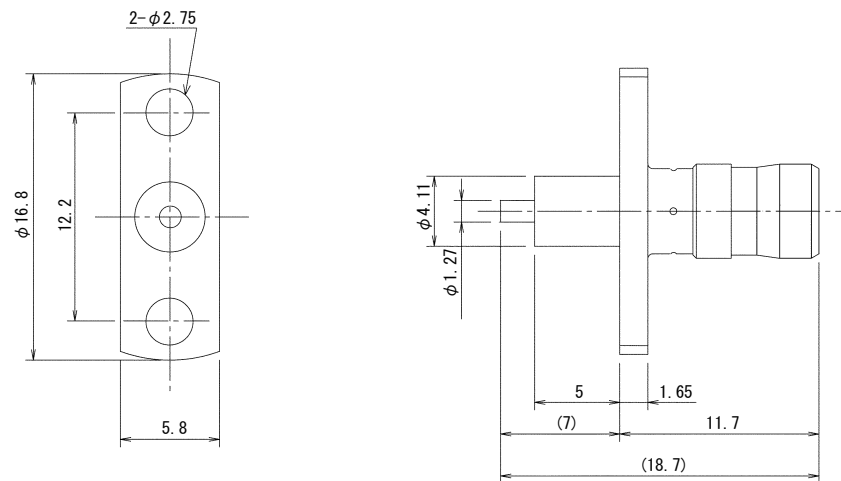


■ Receptacle Connector

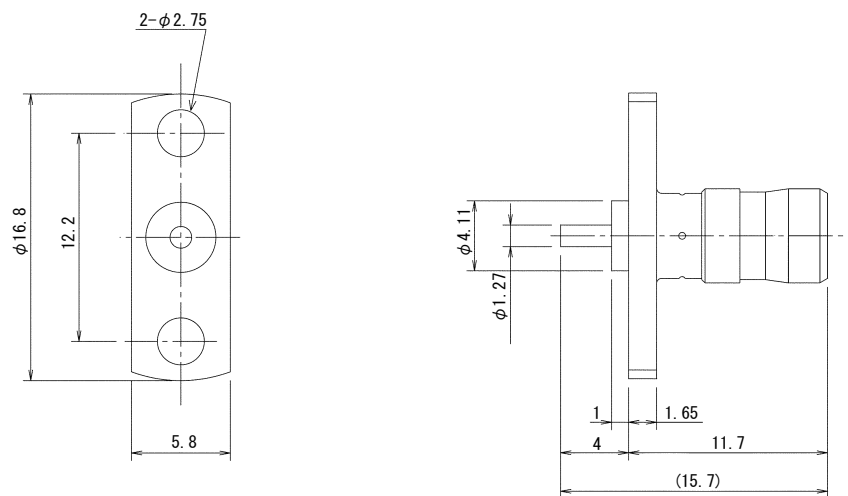
PDM-SR2-1



PDM-SR2-2



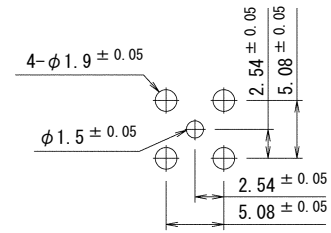
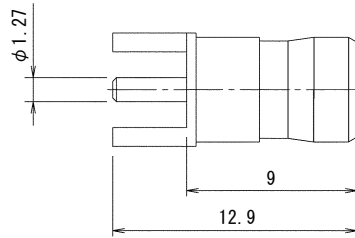
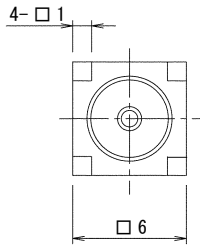
PDM-SR2-5



■ Receptacle Connector

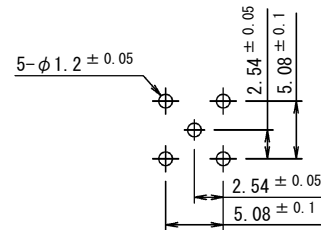
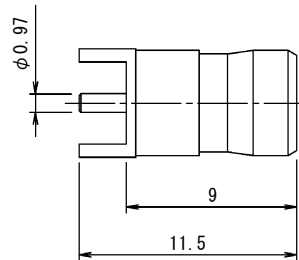
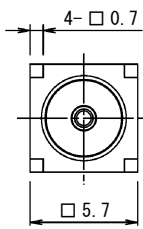
PBC DIP Type

PDM-SR-PC



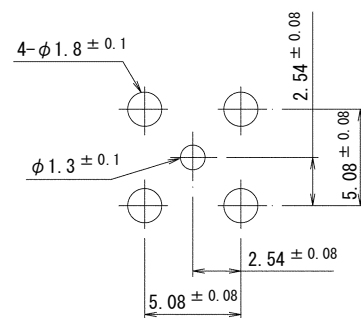
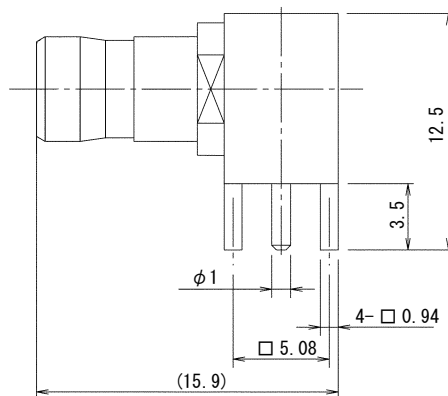
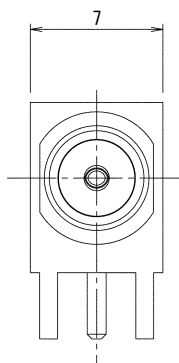
PCB Mounting Dimensions

PDM-SR-PC-D2



PCB Mounting Dimensions

PDM-LR-PC



PCB Mounting Dimensions