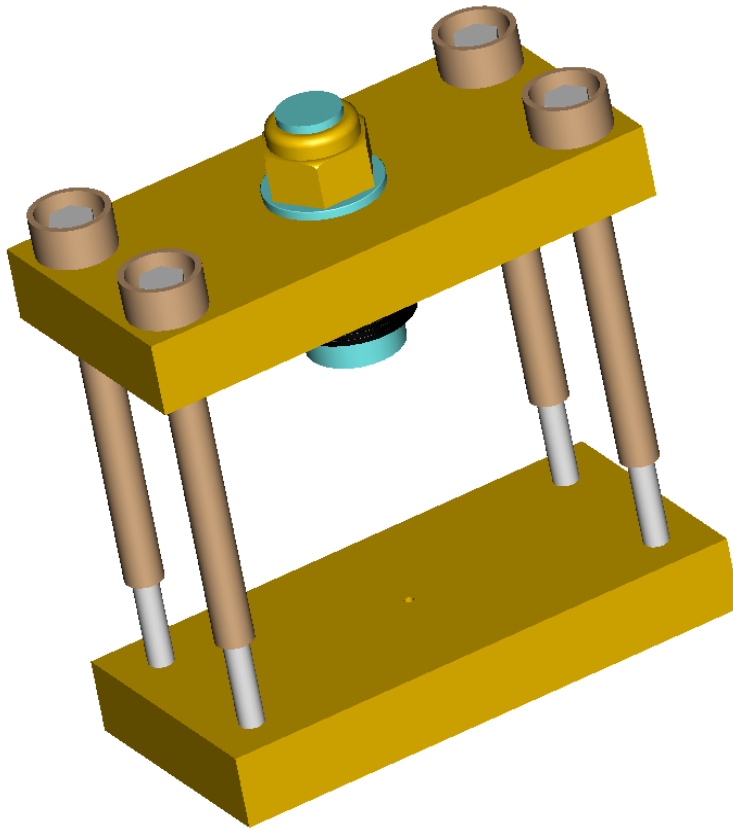


GC140-4T..F

BAR CLAMP FOR HOCKEY PUK DEVICES



Clamping total thickness of assembly from
47mm to 107mm

Pre-loaded to the specific clamping
force (35 ÷ 50 kN)

Maximum device diameter: 127mm

Surface passivation to provide extra protection

Hexagon head bolt partially

threaded M8x1.25, UNI5737, 8.8 steel

Various lengths of bolts and insulators

Flat clamping head for optimal clamping
force application

User friendly clamping force indicator

UL94 certified insulation material

Parameter	Unit	Types	Testing conditions	Notes	Values			
					Min	Typ	Max	
Weight	g	GC1140-4TS...F			5750		5900	
Clamping Force*	kN	GC1140-4T...35F				35		
		GC1140-4T...40F				40		
		GC1140-4T...45F					45	
		GC1140-4T...50F					50	
Clamping Force tolerance						± 10%		
Insulation Voltage	V _{RMS}		1 min			3000		
Insulating Material				Noryl® **				
UL File				E121562				
Max. working temperature	°C				-30		110	
Creepage distance:	mm					28		
Clearance distance:	mm					20.3		
Storage temperature	°C				-40		110	
Flammability	mm			UL94 V-1 Flame class rating		1.5		
	mm			UL94 V-0 Flame class rating		8.00		
	mm			CSA Flammability		1.00		

* Other clamping forces available: contact factory

** Noryl® is a registered trade mark of General Electric

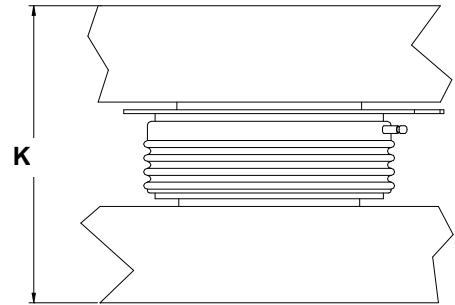


ORDERING INFORMATION TABLE

Clamps can be ordered using the following part numbering system

GC140 | **4T** | **C** | **B** | **45** | **F**
 (3) (2) (3)

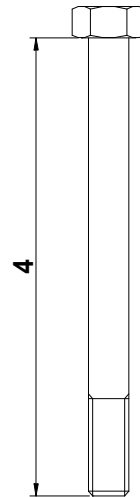
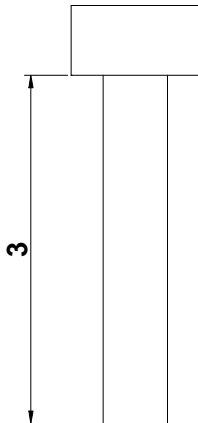
(3) Insulator code:	see table below
(4) Bolt code:	see table below
(3) Clamping force (in kN):	35
	40
	45
	50



K: Total thickness of the assembly to be clamped

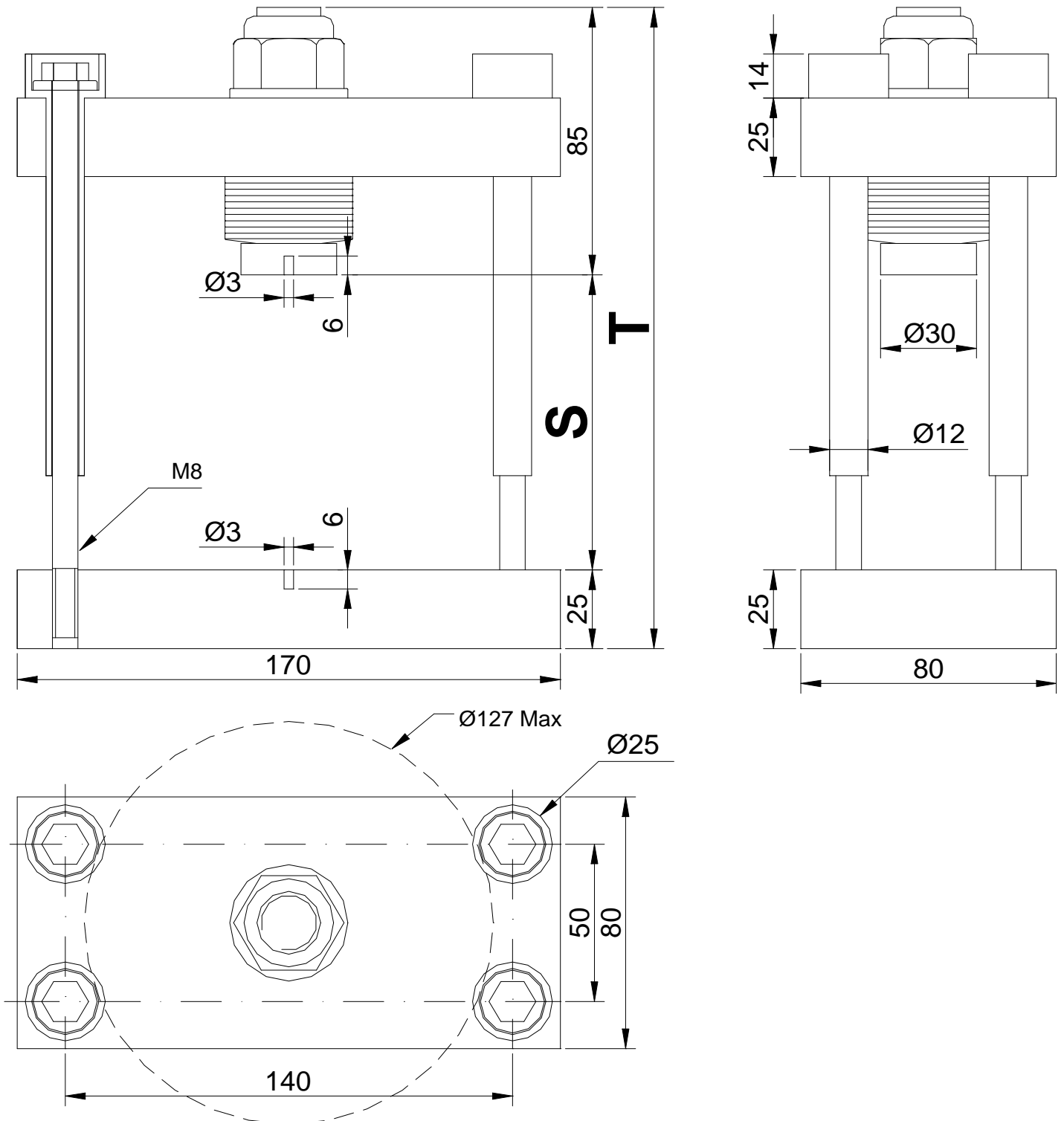
Type GC140BN...: suggested insulator/bolt types

Allowed clearance S		Insulator choice		Bolt choice		Max height	
S Min [mm]	SMax [mm]	(3)	Ins. Lenght [mm]	(4)	Bolt Lenght [mm]	T [mm]	
47	57	B	70	A	130	150	
57	67	C	95	B	140	160	
67	77	C	95	C	150	170	
77	87	C	95	D	160	180	
87	97	D	120	E	170	190	
97	107	D	120	F	180	200	



In the interest of product improvement Green Power Solutions reserves the right to change any specification given in this data sheet without notice.

BAR CLAMP OUTLINES



Dimensions in mm - Tolerances according to ISO 2768 MK