

# SMD Power Inductor CDRH9D18



## ■ Features

- ⊙ Operating frequency: Max. 1MHz.
- ⊙ Product weight: 0.72g (Ref.)
- ⊙ Operating temperature range: -40°C~+105°C.
- ⊙ RoHS Compliance.

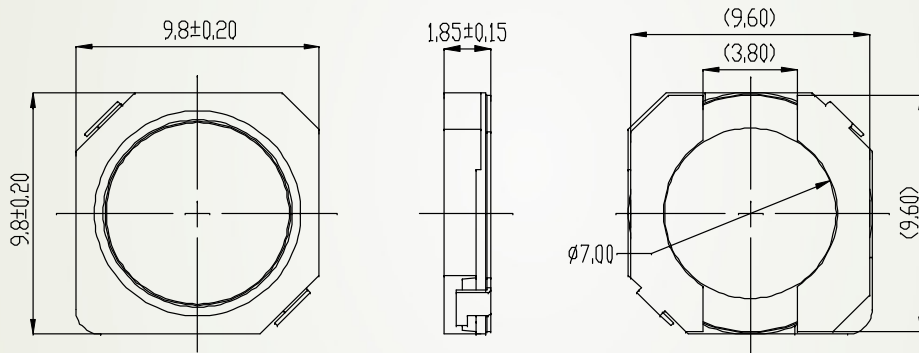


## ■ Applications

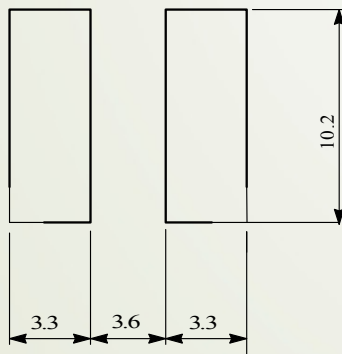
Low profile, surface mount inductor for Slim LCD display & TV, etc.

## ■ Shapes and Dimensions/Recommended Land Patterns(mm)

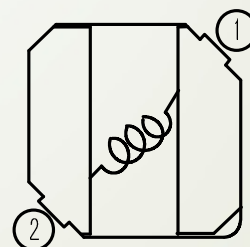
### ◆ Dimensions



### ◆ Land pattern (mm)



### ◆ Schematics (Bottom)



# SMD Power Inductor CDRH9D18



## ■Electrical Characteristics specification.

Part No.	Stamp	Inductance ( $\mu$ H) at 100KHz	D.C.R. (m $\Omega$ ) (at20°C)	Saturation current (A) ※1 (at 20°C)	Temperature Rise current (A) ※2
CDRH9D18NP-4R3MC	4R3	4.3 $\pm$ 20%	38.5(31)	3.30	3.70
CDRH9D18NP-6R8MC	6R8	6.8 $\pm$ 20%	66(53)	2.75	2.75
CDRH9D18NP-100MC	100	10 $\pm$ 20%	81(65)	2.30	2.40
CDRH9D18NP-150MC	150	15 $\pm$ 20%	125(100)	1.85	1.85
CDRH9D18NP-220MC	220	22 $\pm$ 20%	195(156)	1.50	1.50
CDRH9D18NP-330MC	330	33 $\pm$ 20%	287(230)	1.25	1.25
CDRH9D18NP-470MC	470	47 $\pm$ 20%	410(328)	1.05	1.05

※1. Saturation Current: The DC current at which the inductance decreases to 70% of it's nominal value.

※2. Temperature rise current: The DC current at which the temperature rise is  $\Delta t=40^{\circ}\text{C}$ . ( $T_a=20^{\circ}\text{C}$ )

### For More Information

#### Hong Kong

Tel.+852-2880-6688  
FAX.+852-2565-9600

#### Tokyo

Tel.+81-3-5202-7112  
FAX.+81-3-5202-7105

#### Chicago

Tel.+1-847-545-6700  
FAX. +1-847-545-6720

#### Shanghai

Tel.+86-021-58363299  
FAX.+86-021-58363266

#### Seoul

Tel.+82-2-6237-0777  
FAX.+82-2-6237-0778

#### California

Tel.+1-408-321-9660  
FAX. +1-408-321-9308

#### Shenzhen

Tel.+86-755-82910228  
FAX.+86-755-82910338

#### Singapore

Tel.+65-6296-3388  
FAX.+65-6296-3390

#### Taipei

Tel.+886-2-27065228  
FAX.+886-2-27065229

#### Malaysia

Tel.+60-3-8733-0900  
FAX.+60-3-8737-7384