

VHF/UHF NPN Epitaxial Planar Transistor

BTNH10N3

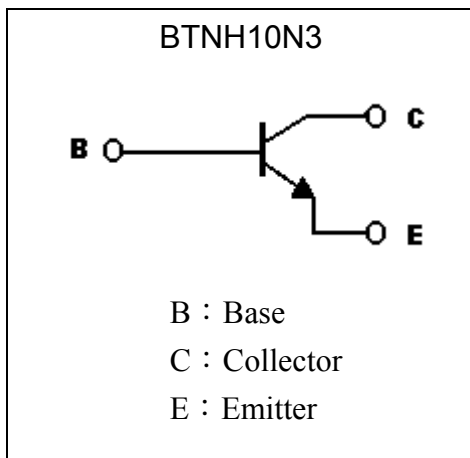
Description

The BTNH10N3 is designed for use in VHF & UHF oscillators and VHF mixer in tuner of a TV receiver.

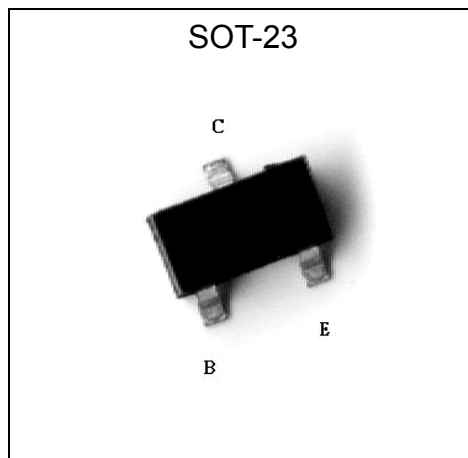
Features

- High transition frequency.
- Very low capacitance.
- Small $R_{bb'}$ - C_c and high current gain.
- Pb-free package

Symbol



Outline



Absolute Maximum Ratings (Ta=25°C)

Parameter	Symbol	Limits	Unit
Collector-Base Voltage	V_{CBO}	30	V
Collector-Emitter Voltage	V_{CEO}	25	V
Emitter-Base Voltage	V_{EBO}	3	V
Collector Current	I_C	50	mA
Power Dissipation	P_d	225	mW
Junction Temperature	T_j	150	°C
Storage Temperature	T_{stg}	-55~+150	°C



Characteristics (Ta=25°C)

Symbol	Min.	Typ.	Max.	Unit	Test Conditions
BV _{CBO}	30	-	-	V	I _C =100μA
BV _{CEO}	25	-	-	V	I _C =1mA
BV _{EBO}	3	-	-	V	I _C =10μA
I _{CBO}	-	-	100	nA	V _{CB} =25V
I _{EBO}	-	-	100	nA	V _{EB} =2V
*V _{CE(sat)}	-	-	0.5	V	I _C =4mA, I _B =0.4mA
*V _{BE(on)}	-	-	0.95	V	V _{CE} =10V, I _C =4mA
*h _{FE}	52	-	270	-	V _{CE} =10V, I _C =4mA
f _T	650	1000	-	MHz	V _{CE} =10V, I _C =4mA, f=100MHz
C _{ob}	-	-	0.7	pF	V _{CB} =10V, I _E =0A, f=1MHz
R _{bb'} -C _c	-	-	9	ps	V _{CB} =10V, I _C =4mA, f=31.8MHz

*Pulse Test : Pulse Width ≤380μs, Duty Cycle≤2%

Classification Of hFE

Rank	K	P	Q
Range	52~120	82~180	120~270

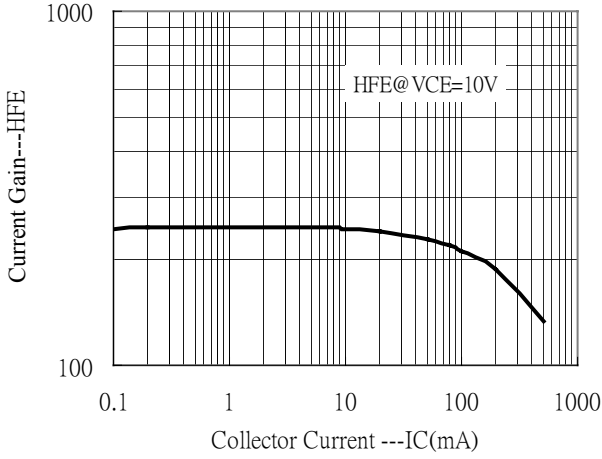
Ordering Information

Device	Package	Shipping	Marking
BTNH10N3	SOT-23 (Pb-free)	3000 pcs / Tape & Reel	3E

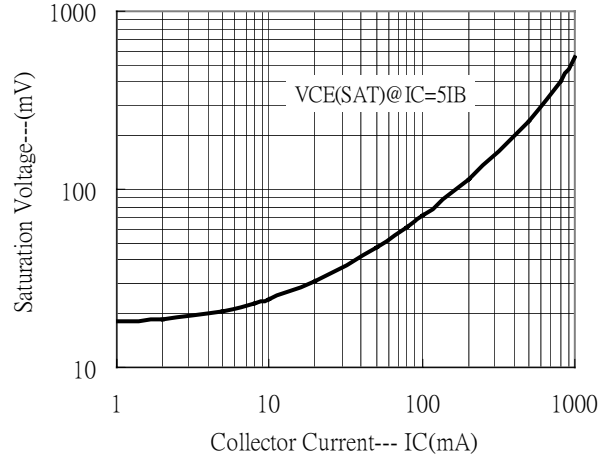


Characteristic Curves

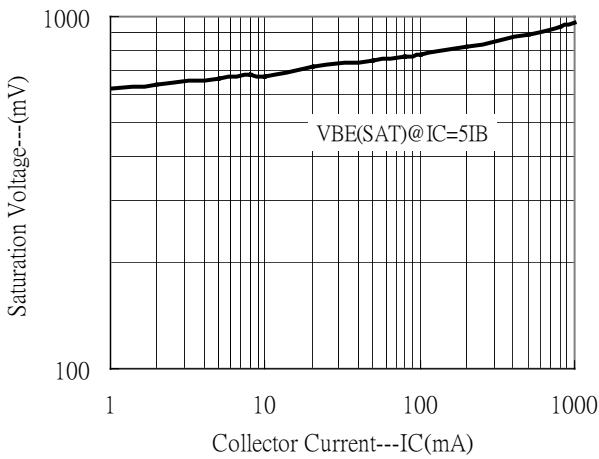
Current Gain vs Collector Current



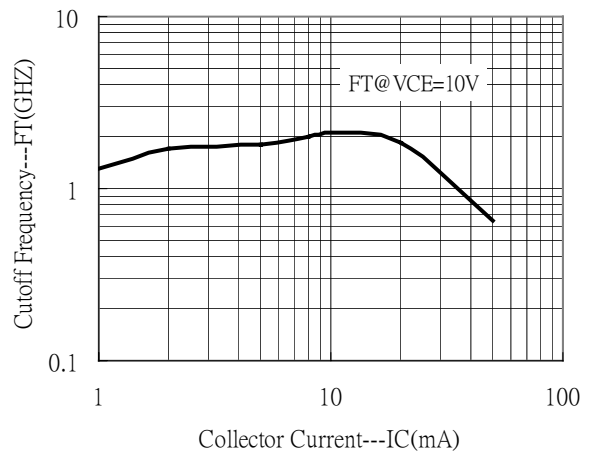
Saturation Voltage vs Collector Current



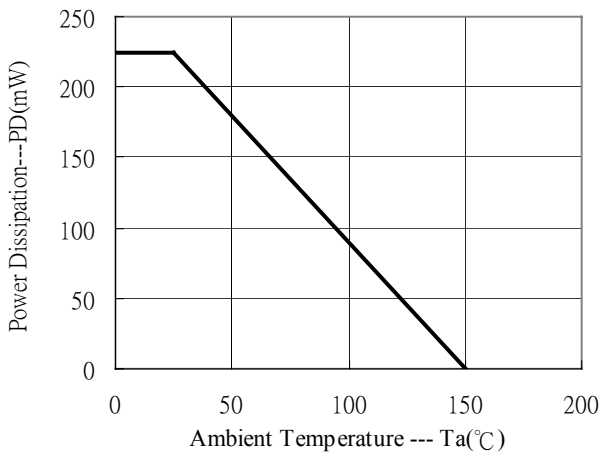
Saturation Voltage vs Collector Current



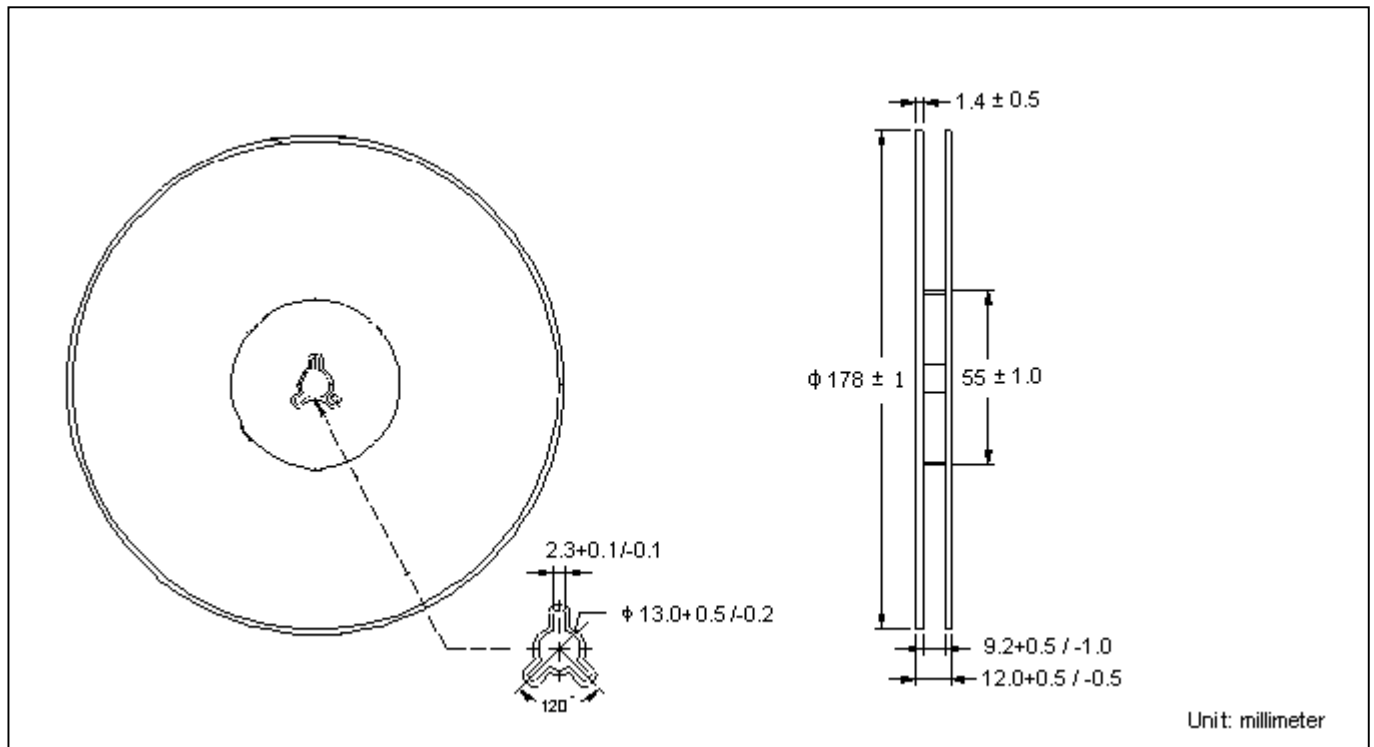
Cutoff Frequency vs Collector Current



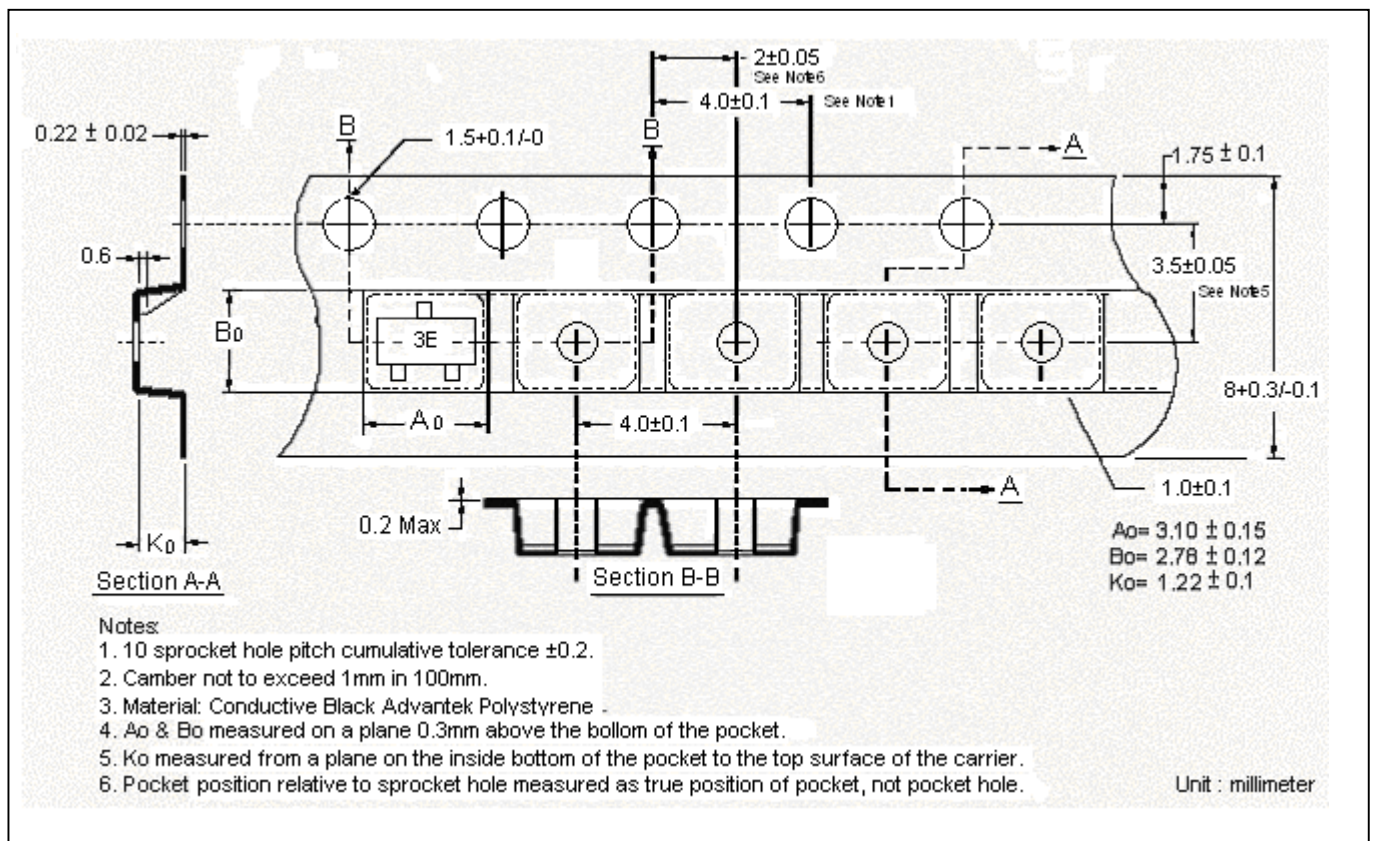
Power Derating Curve



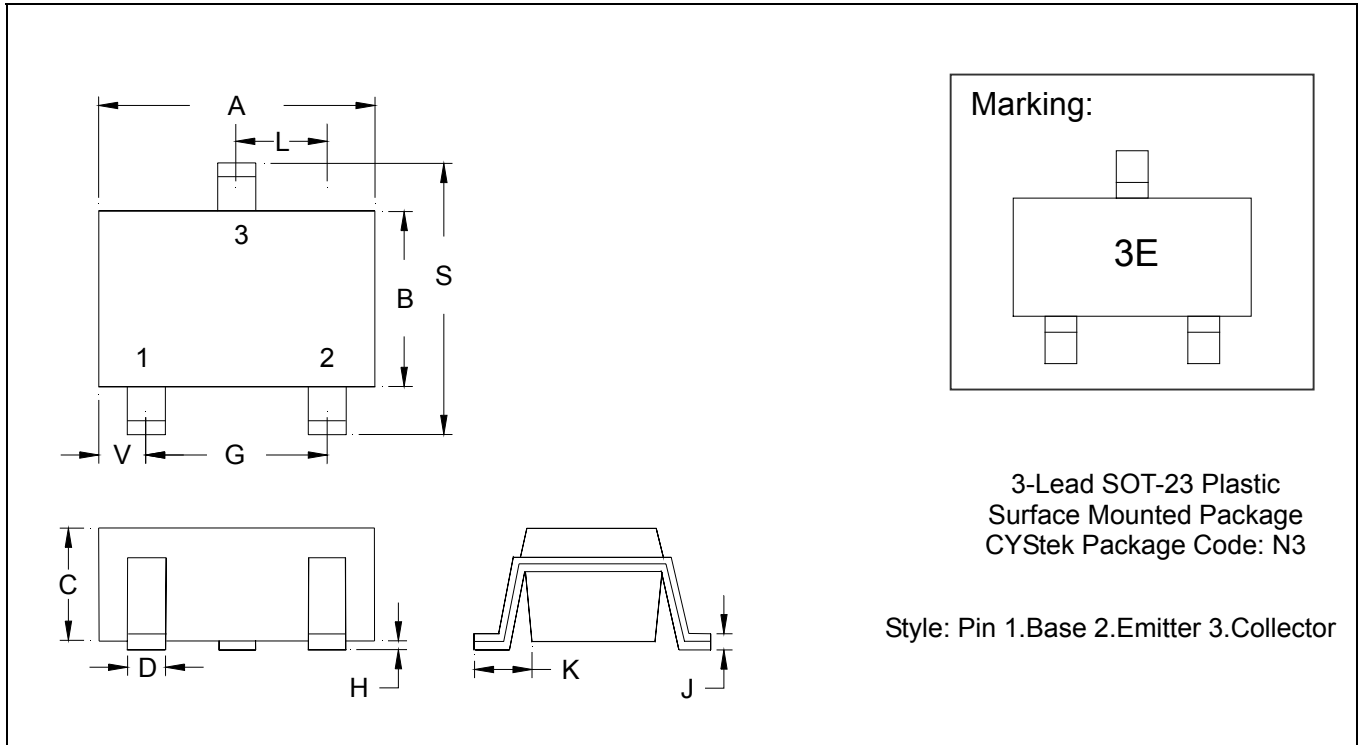
Reel Dimension



Carrier Tape Dimension



SOT-23 Dimension



*: Typical

DIM	Inches		Millimeters		DIM	Inches		Millimeters	
	Min.	Max.	Min.	Max.		Min.	Max.	Min.	Max.
A	0.1102	0.1204	2.80	3.04	J	0.0034	0.0070	0.085	0.177
B	0.0472	0.0630	1.20	1.60	K	0.0128	0.0266	0.32	0.67
C	0.0335	0.0512	0.89	1.30	L	0.0335	0.0453	0.85	1.15
D	0.0118	0.0197	0.30	0.50	S	0.0830	0.1083	2.10	2.75
G	0.0669	0.0910	1.70	2.30	V	0.0098	0.0256	0.25	0.65
H	0.0005	0.0040	0.013	0.10					

- Notes: 1.Controlling dimension: millimeters.
 2.Maximum lead thickness includes lead finish thickness, and minimum lead thickness is the minimum thickness of base material.
 3.If there is any question with packing specification or packing method, please contact your local CYStek sales office.

Material:

- Lead: 42 Alloy ; solder plating
- Mold Compound: Epoxy resin family, flammability solid burning class: UL94V-0

Important Notice:

- All rights are reserved. Reproduction in whole or in part is prohibited without the prior written approval of CYStek.
- CYStek reserves the right to make changes to its products without notice.
- CYStek **semiconductor products are not warranted to be suitable for use in Life-Support Applications, or systems.**
- CYStek assumes no liability for any consequence of customer product design, infringement of patents, or application assistance.