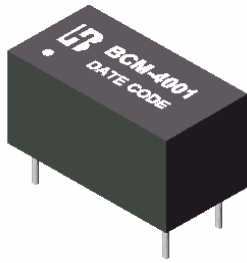


COMMON MODE CHOKE FOR ADSL AND VDSL

P/N: BCM-4001 DATA SHEET

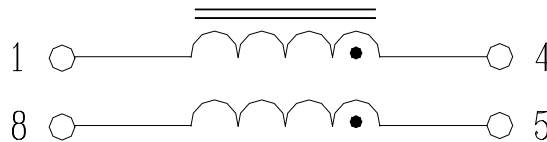
Feature



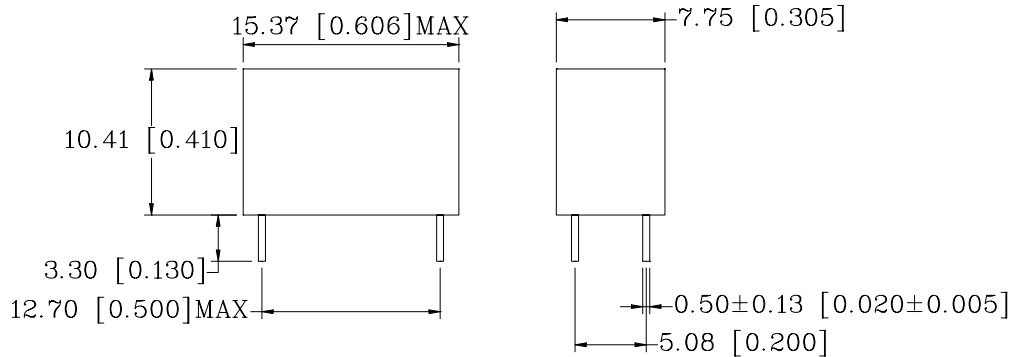
- For use in XDSL interfaces
- Effective reduction of C.M noise caused by AM broadcast or ham radio.
- Isolation 1500 Vrms Line to Line
- Operating temperature : -0°C to 85°C.
- Storage temperature range: -25°C to +125°C.

Electrical Specifications@25°C					
Part Number	OCL(mH)	Common Mode Attenuation(dB Typ)			HI-POT (Vrms)
		500KHz	1MHz	10MHz	
BCM-4001	4.7±30%	-45	-49	-35	1500

Schematic



Mechanical



Units: mm[Inches] Tolerances: xx.x0±0.25[0.010]
0.xx0±0.05[0.002]