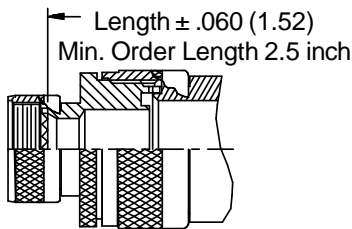
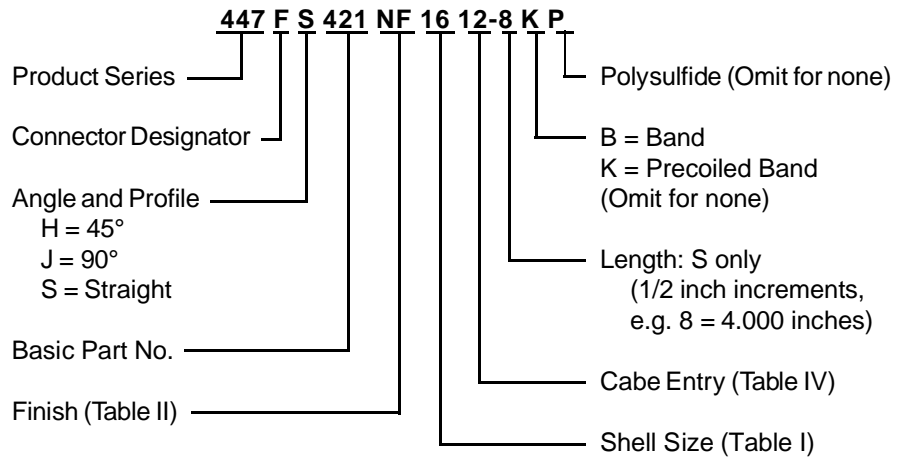
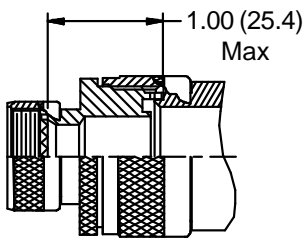
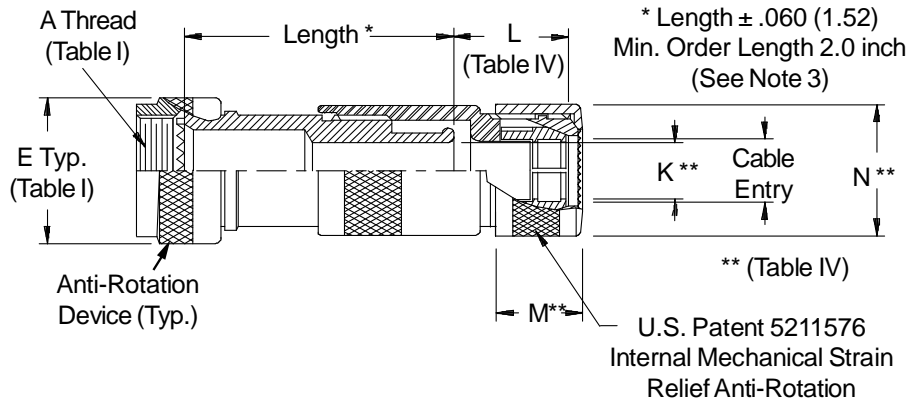


**CONNECTOR  
DESIGNATORS  
A-F-H-L-S  
SELF-LOCKING  
ROTATABLE  
COUPLING**



**STYLE 2  
(STRAIGHT  
See Note 1)**

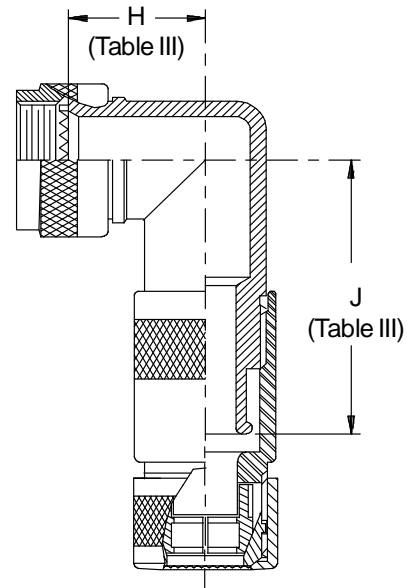
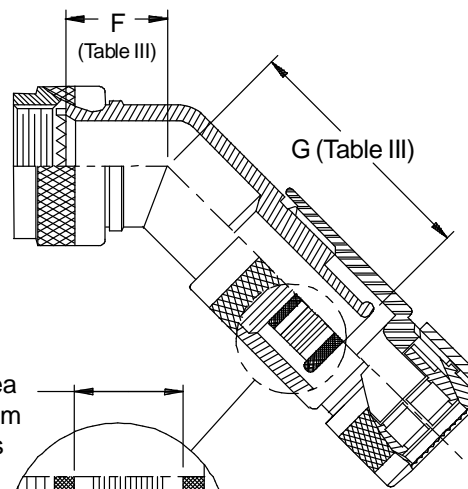


**STYLE 2  
(45° & 90°  
See Note 1)**



Termination Area  
Free of Cadmium  
Knurl or Ridges  
Mfr's Option

Polysulfide Stripes  
P Option



See inside back cover fold-out or pages 13 and 14 for  
Tables I and II.

TABLE III: ELBOW DIMENSIONS

Shell Size		F		G		H		J	
Conn. Desig.	H	Max		Max		Max		Max	
A-F-L-S									
08	09	.795	(20.2)	1.380	(35.1)	.906	(23.0)	1.500	(38.1)
10	11	.820	(20.8)	1.410	(35.8)	.966	(24.5)	1.550	(39.4)
12	13	.844	(21.4)	1.430	(36.3)	1.026	(26.1)	1.610	(40.9)
14	15	.861	(21.9)	1.460	(37.1)	1.076	(27.3)	1.680	(42.7)
16	17	.888	(22.6)	1.480	(37.6)	1.136	(28.9)	1.740	(44.2)
18	19	.904	(23.0)	1.490	(37.8)	1.176	(29.9)	1.760	(44.7)
20	21	.929	(23.6)	1.510	(38.4)	1.236	(31.4)	1.820	(46.2)
22	23	.956	(24.3)	1.550	(39.4)	1.296	(32.9)	1.900	(48.3)
24	25	.979	(24.9)	1.580	(40.1)	1.356	(34.4)	1.970	(50.0)

TABLE IV: CABLE RANGE

Dash No.	Clamp Size (Ref)	K Dia	L Max	M Max	N Max	Cable Range	
						Min	Max
02	08	.125 (3.2)	.970 (24.6)	.530 (13.5)	.720 (18.3)	.100 (2.5)	.250 (6.4)
03	08	.188 (4.8)	.970 (24.6)	.530 (13.5)	.720 (18.3)	.098 (2.5)	.200 (5.1)
04	08	.250 (6.4)	.970 (24.6)	.530 (13.5)	.720 (18.3)	.098 (2.5)	.250 (6.4)
05	12	.312 (7.9)	1.110 (28.2)	.710 (18.0)	.910 (23.1)	.203 (5.2)	.375 (9.5)
06	12	.375 (9.5)	1.110 (28.2)	.710 (18.0)	.910 (23.1)	.203 (5.2)	.375 (9.5)
07	16	.438 (11.1)	1.210 (30.7)	.720 (18.3)	1.090 (27.7)	.328 (8.3)	.500 (12.7)
08	16	.500 (12.7)	1.210 (30.7)	.720 (18.3)	1.090 (27.7)	.328 (8.3)	.500 (12.7)
09	20	.562 (14.3)	1.210 (30.7)	.720 (18.3)	1.220 (31.0)	.452 (11.5)	.625 (15.9)
10	20	.625 (15.9)	1.210 (30.7)	.720 (18.3)	1.220 (31.0)	.452 (11.5)	.625 (15.9)
11	24	.688 (17.5)	1.210 (30.7)	.660 (16.8)	1.340 (34.0)	.515 (13.1)	.750 (19.1)
12	24	.750 (19.1)	1.360 (34.5)	.660 (16.8)	1.340 (34.0)	.515 (13.1)	.750 (19.1)
13	28	.812 (20.6)	1.360 (34.5)	.790 (20.1)	1.530 (38.9)	.640 (16.3)	.875 (22.2)
14	28	.875 (22.2)	1.510 (38.4)	.790 (20.1)	1.530 (38.9)	.640 (16.3)	.875 (22.2)
15	32	.938 (23.8)	1.510 (38.4)	.870 (22.1)	1.720 (43.7)	.765 (19.4)	1.000 (25.4)
16	32	1.000 (25.4)	1.510 (38.4)	.870 (22.1)	1.720 (43.7)	.765 (19.4)	1.000 (25.4)
17	36	1.062 (27.0)	1.510 (38.4)	.830 (21.1)	1.850 (47.0)	.859 (21.8)	1.125 (28.6)
18	36	1.125 (28.6)	1.510 (38.4)	.830 (21.1)	1.850 (47.0)	.859 (21.8)	1.125 (28.6)
20	40	1.250 (31.8)	1.510 (38.4)	.820 (20.8)	1.970 (50.0)	.984 (25.0)	1.250 (31.8)
22	44	1.375 (34.9)	1.510 (38.4)	.910 (23.1)	2.090 (53.1)	1.125 (28.6)	1.375 (34.9)
24	48	1.500 (38.1)	1.510 (38.4)	.900 (22.9)	2.280 (57.9)	1.250 (31.8)	1.500 (38.1)

1. When maximum cable entry (page 21) is exceeded, Style 2 will be supplied. Dimensions F, G, H and J will not apply. Please consult factory.
2. Metric dimensions (mm) are indicated in parentheses.
3. Consult factory for shorter lengths on straight backshells.
4. Backshells supplied with 600-052-\* band, see Glenair Series 600 Tool Catalog for installation.