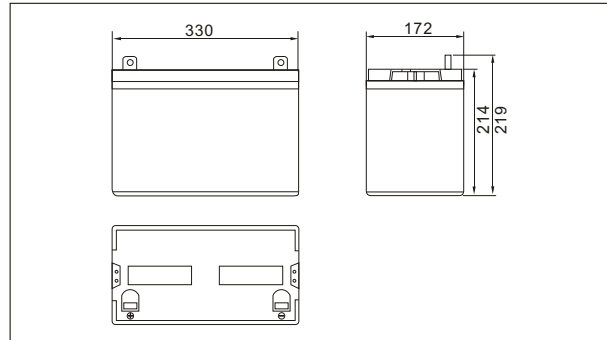




SW12380W(12V100Ah)



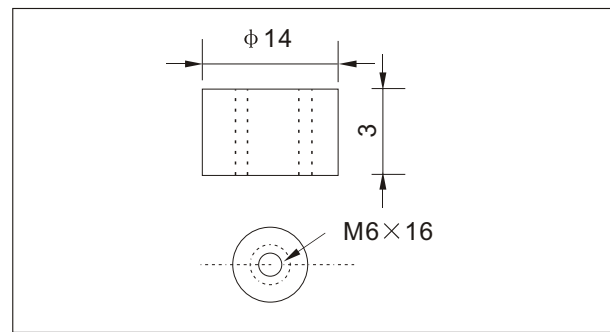
Outer dimensions (mm)



Specifications

Nominal Voltage	12 V	
CAPACITY(15 minutes rate to 1.67V/cell)	380W	
Rated capacity (10hour rate)	100Ah	
Dimensions	Total Height	219 mm (8.63 inches)
	Height	214 mm (8.43 inches)
	Length	330 mm (13.0 inches)
	Width	172 mm (6.78 inches)
Weight Approx	32 Kg (70 lbs)	

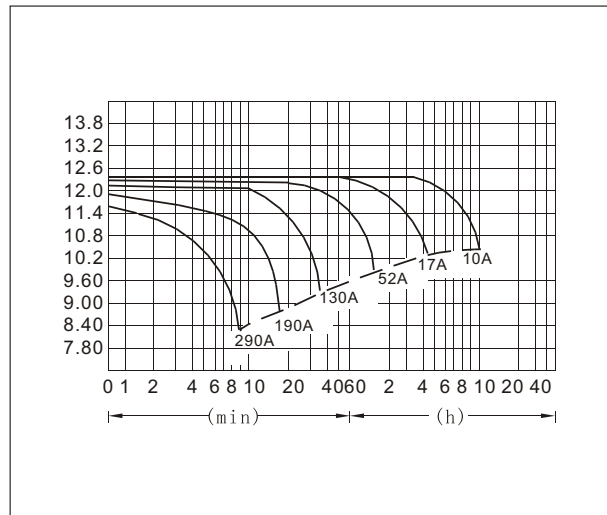
Terminal Type (mm)



Characteristics

Capacity 25°C(77°F)	30min rate	1375W
	15min rate	2280W
	5min rate	4024W
Internal Resistance	Full charged Battery at 25°C(77°F)	3.4 mΩ
Capacity affected by Temperature (20hour rate)	40°C(104°F)	102%
	25°C(77°F)	100%
	0°C(32°F)	85%
	-15°C(5°F)	65%
Self-Discharge at 25°C(77°F)	Capacity after 3 month storage	91%
	Capacity after 6 month storage	82%
	Capacity after 12 month storage	64%
Terminal	T10, T16	
Charge (constant Voltage)	Cycle	Initial Charging Current less than 20A Voltage 14.10-14.40V
	Float	Voltage 13.50-13.80V

Discharge Curves 25°C(77°F)



Constant power discharge :watts(25°C, 77°F)

	5min	10min	15min	20min	30min	45min	60min	90min
9.60V	4024	3010	2332	1922	1433	1055	827	615
10.02V	3852	2912	2280	1889	1401	1016	808	594
10.2V	3680	2801	2228	1844	1375	1003	788	574
10.5V	3511	2736	2169	1811	1348	971	756	547
10.8V	3339	2449	1922	1681	1199	866	684	525
11.1V	2974	2189	1746	1550	1114	814	643	499

Constant current discharge unit:A(25°C, 77°F)

	5min	15min	30min	45min	60min	90min	5h	10h
9.60V	369.6	213.2	130.5	95.3	74.5	55.3	16.5	10.7
10.02V	350.0	204.7	125.2	90.5	71.2	52.4	16.3	10.5
10.2V	325.5	197.3	120.9	88.5	68.8	50.2	16.1	10.3
10.5V	301.0	184.5	112.4	81.2	62.8	47.1	15.9	10.0
10.8V	287.0	163.3	101.6	73.4	57.8	44.1	15.8	9.7
11.1V	252.0	149.5	94.8	68.8	54.2	41.9	15.4	9.5