

# MAFR-000084-GS1C1T



## Single Junction Drop-In Circulator 925 MHz—960 MHz

Rev. C

### Applications

- ◆ Wireless Infrastructure

### Features

- ◆ RoHS Compliant
- ◆ BeO free

### Electrical Specifications

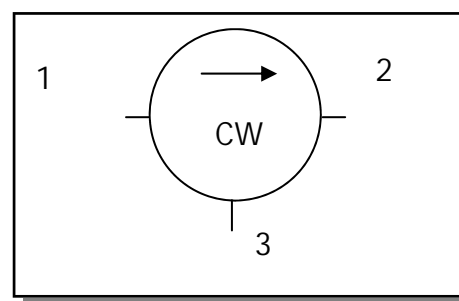
| Parameter       | Conditions | Units    | Min | Typ | Max   |
|-----------------|------------|----------|-----|-----|-------|
| Frequency Range |            | MHz      | 925 |     | 960   |
| Impedance       |            | $\Omega$ |     | 50  |       |
| Insertion Loss  |            | dB       |     |     | 0.30  |
| Isolation       |            | dB       | 22  |     |       |
| VSWR            |            |          |     |     | 1.2:1 |

1. All specifications guaranteed over the operating temperature range unless otherwise stated.
2. See Application Note ANI-001 for further details.

### Pin Configuration

| Terminal | Designation | Function |
|----------|-------------|----------|
| 1        | Port 1      | In       |
| 2        | Port 2      | Out      |
| 3        | Port 3      | Out      |

### Functional Block Diagram



### Absolute Maximum Ratings

| Parameter                   | Conditions | Units              | Min | Max  |
|-----------------------------|------------|--------------------|-----|------|
| Input Power                 |            | W                  |     | 500  |
| Reverse Power               |            | W                  |     | 500  |
| Operating Temperature Range |            | $^{\circ}\text{C}$ | -30 | +85  |
| Storage Temperature Range   |            | $^{\circ}\text{C}$ | -55 | +125 |

### Application Notes Available

| Application Note | Description   |
|------------------|---|
| ANI-001          | IMD Measurement of Ferrite Isolators and Circulators        |
| ANI-003          | Maximum Peak Power of Ferrite Junctions                     |
| ANI-004          | Base Plate Temperature of Ferrite Isolators and Circulators |
| ANI-007          | Reflow Soldering Guidelines                                 |
| ANI-008          | Curie Temperature of Isolators and Circulators              |
| ANI-009          | Tape and Reel Information for Isolators and Circulators     |

1

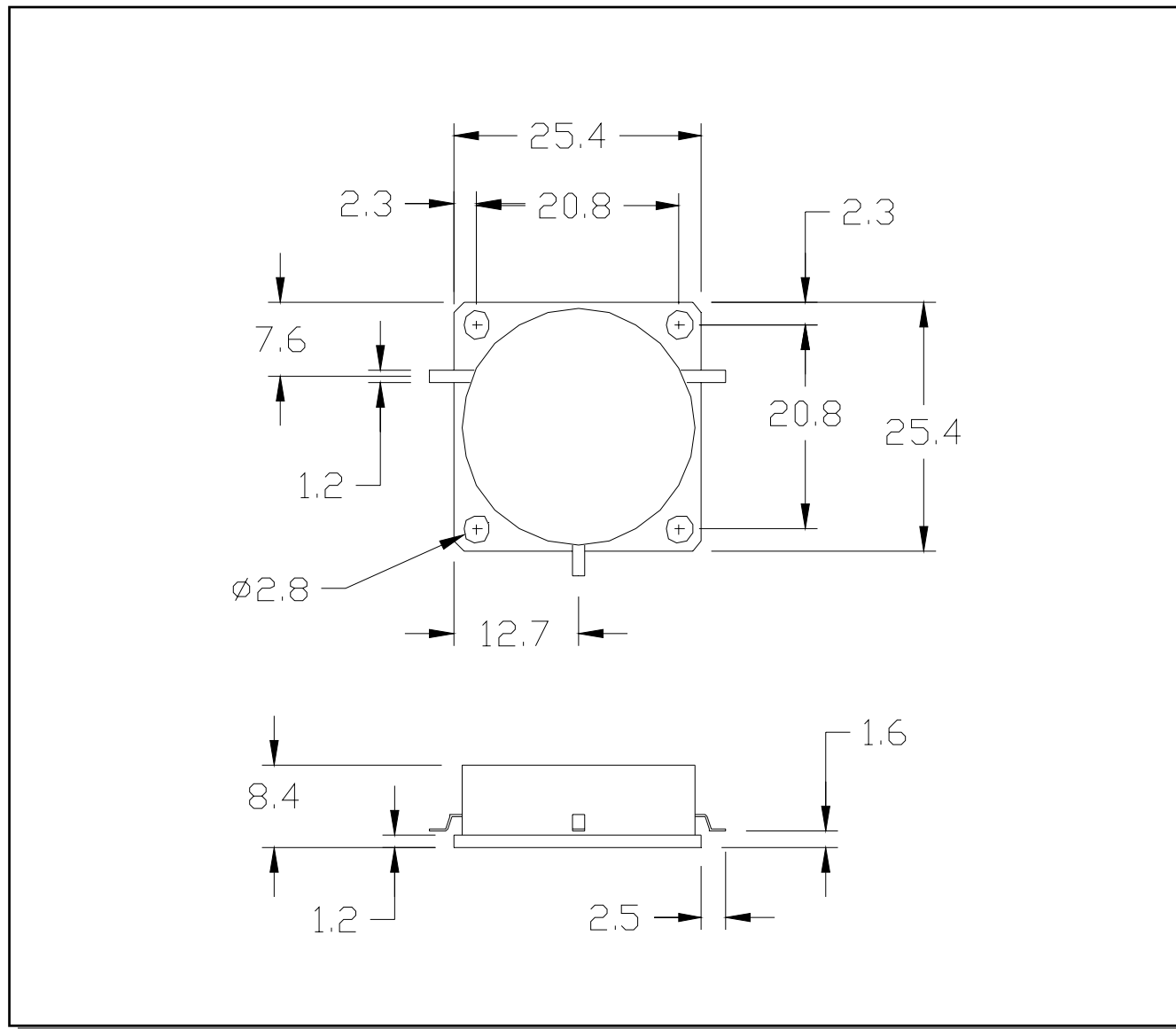
**ADVANCED:** Data Sheets contain information regarding a product M/A-COM Technology Solutions is considering for development. Performance is based on target specifications, simulated results, and/or prototype measurements. Commitment to develop is not guaranteed.

**PRELIMINARY:** Data Sheets contain information regarding a product M/A-COM Technology Solutions has under development. Performance is based on engineering tests. Specifications are typical. Mechanical outline has been fixed. Engineering samples and/or test data may be available. Commitment to produce in volume is not guaranteed.

• **North America** Tel: 800.366.2266 • **Europe** Tel: +353.21.244.6400  
• **India** Tel: +91.80.43537383 • **China** Tel: +86.21.2407.1588  
Visit [www.macomtech.com](http://www.macomtech.com) for additional data sheets and product information.

M/A-COM Technology Solutions Inc. and its affiliates reserve the right to make changes to the product(s) or information contained herein without notice.

## Outline Drawing



1. Dimensions in mm.
2. Tolerance:  $\pm 0.2$ mm unless otherwise noted.
3. Lead thickness is 0.12mm.
4. Model number, lot code and port designation printed on top side of unit.

### Plating

| Section | Material | Plating |
|---------|----------|---------|
| Leads   | Copper   | Silver  |
| Housing | Steel    | Silver  |

### ECO History

| Rev | Date      | Description   | By |
|-----|-----------|---------------|----|
| C   | 22/9/2009 | Update format | BH |
|     |           |               |    |
|     |           |               |    |