

AC Power Line Choke

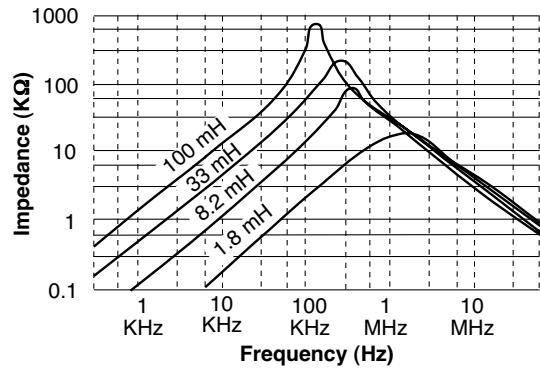
EPZ3042V-XXX

- Used as AC Power Line Filters in CTV, VTR, Audios, PC's, Facsimilies and Power Supply Applications
- UL940-V Recognized Materials
- Temperature Rise : 45°C Max.
- UL1446 Insulating System
- 2000 Vrms Isolation

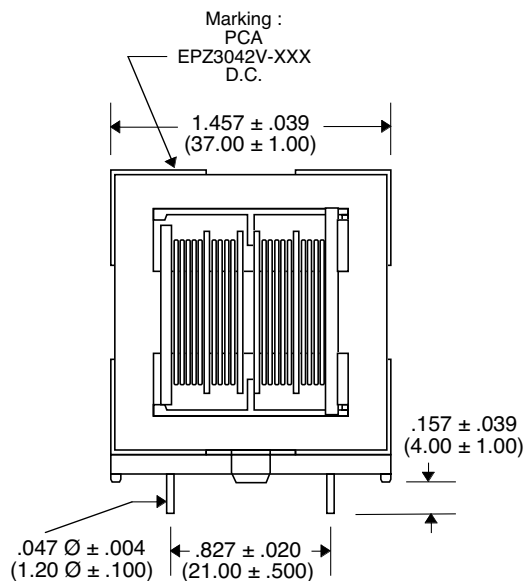
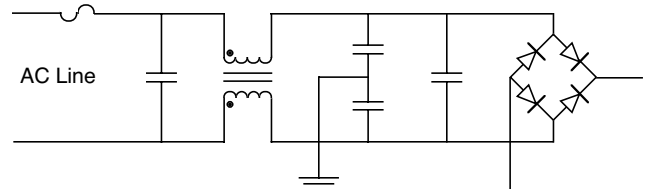
Electrical Parameters @ 25° C

Part Number	Inductance (mH Min.) [Pins 1-2, 4-3]	Current Rating (A rms Max.)
EPZ3042V-151	.15	10
EPZ3042V-261	.26	9.0
EPZ3042V-401	0.4	8.0
EPZ3042V-801	0.8	7.0
EPZ3042V-152	1.5	5.0
EPZ3042V-272	2.7	4.5
EPZ3042V-332	3.3	4.2
EPZ3042V-392	3.9	3.7
EPZ3042V-472	4.7	3.5
EPZ3042V-562	5.6	3.4
EPZ3042V-822	8.2	3.0
EPZ3042V-902	9.0	2.8
EPZ3042V-103	10	2.5
EPZ3042V-153	15	2.0
EPZ3042V-183	18	1.9
EPZ3042V-223	22	1.8
EPZ3042V-273	27	1.5
EPZ3042V-333	33	1.4
EPZ3042V-473	47	1.2
EPZ3042V-563	56	1.0
EPZ3042V-823	82	0.8

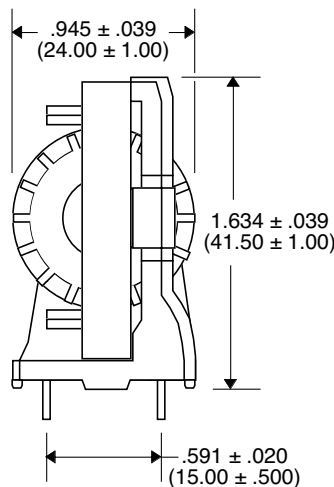
Impedance Characteristics



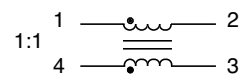
Circuit Sample



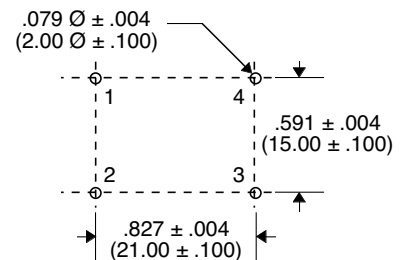
Package



Schematic



Recommended PWB Piercing Plan



Unless Otherwise Specified Dimensions are in Inches /mm ±.010 /.25