

SHIELDED SMD INDUCTOR DR350-9 SERIES

Features

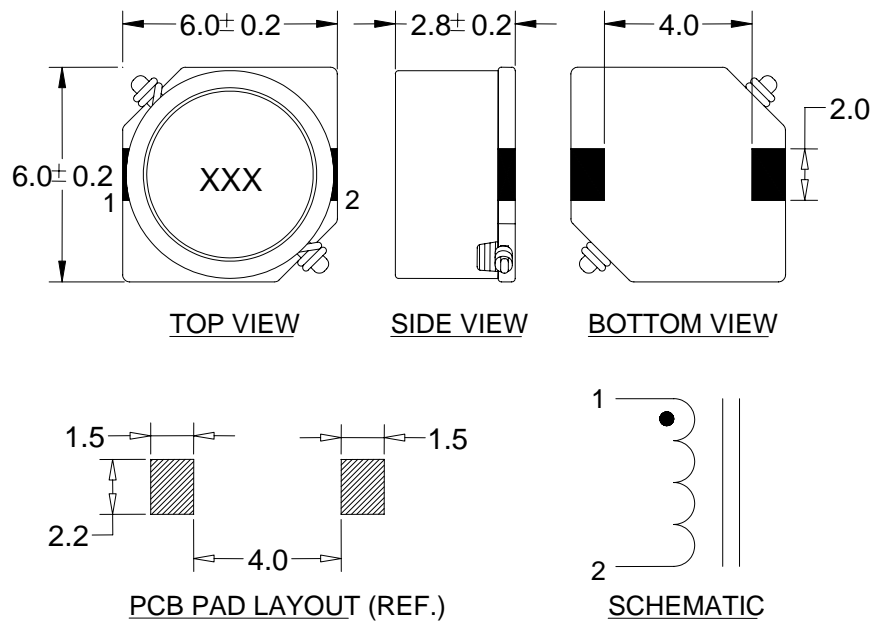
- Low Profile Surface Mount Design
- Flat Top for Pick and Place
- Inductance Range from 4.7 μ H to 100.0 μ H
- Operating Temp. -40°C to +85°C
- Tinned Leads with Leaded Solder is Available (note 7)



ELECTRICAL SPECIFICATIONS AT 25°C

Part No.	Inductance (μ H) \pm 20%	DCR (Ω) \pm 20%	I_{rms} (A) Max.	I_{sat} (A) Max.
DR350-9-472	4.7	0.036	2.50	1.60
DR350-9-682	6.8	0.052	2.20	1.50
DR350-9-103	10.0	0.068	1.80	1.30
DR350-9-153	15.0	0.100	1.40	1.00
DR350-9-223	22.0	0.120	1.30	0.77
DR350-9-333	33.0	0.180	1.10	0.69
DR350-9-473	47.0	0.270	0.92	0.59
DR350-9-683	68.0	0.390	0.78	0.50
DR350-9-104	100.0	0.620	0.64	0.42

MECHANICAL OUTLINES



Notes:

1. All dimensions are shown in millimeter "mm"
2. General tolerance \pm 0.2mm, unless other specified
3. Inductance Test: 1kHz, 0.5Vrms
4. I_{rms} for an approximate 45°C temperature rise
5. I_{sat} for an approximate 20% drop maximum of the nominal value
6. Tape and reel quantity, 1000 pcs/reel
7. For non-RoHS parts replace DR prefix with 42- (e.g. DR350-9 becomes 42-350-9)
8. Terminal finish is compliant to RoHS requirements. Solder in accordance with J-STD-020C