

## AC COOLING FAN

120x120x38mm

- Voltage: 115 & 230 VAC
- Bearing options: Ball, Sleeve or Oil Bearing
- Material on housing: Aluminium Alloy Housing
- Airflow range: 51.4 - 93 CFM
- Suitable for PSU, Racks and Test Instruments



## SPECIFICATION

Part No.	Bearing	Voltage/Freq(V/Hz)	Current(A)	Power (W)	Speed(RPM)	Air flow(CFM)	Pressure(mmAq)	Noise(dB/A)	Weight(g)
DBF12038x115U	Ball,Sleeve,Oil	115V(50/60HZ)	0.25/0.2	16.28/14.21	2600/2900	83/93	0.28/0.25	42.2/44.5	547
DBF12038x115H	Ball,Sleeve,Oil	115V(50/60HZ)	0.25/0.21	15.76/13.74	2500/2700	81.5/86.4	0.24/0.15	40.0/41.0	547
DBF12038x115M	Ball,Sleeve,Oil	115V(50/60HZ)	0.14/0.13	9.21/8.86	2400/2100	75.9/63.8	0.17/0.08	40.1/37.9	547
DBF12038x115L	Ball,Sleeve,Oil	115V(50/60HZ)	0.12/0.11	8.24/7.89	2300/1650	73.5/51.4	0.14/0.06	39.2/30.5	547
DBF12038x230U	Ball,Sleeve,Oil	230V(50/60HZ)	0.12/0.10	16.00/14.00	2600/2900	83/93	0.28/0.25	42.2/44.5	547
DBF12038x230H	Ball,Sleeve,Oil	230V(50/60HZ)	0.10/0.09	13.70/12.60	2500/2700	81.5/86.4	0.24/0.15	40.0/41.0	547
DBF12038x230M	Ball,Sleeve,Oil	230V(50/60HZ)	0.07/0.07	9.90/9.40	2400/2100	75.9/63.8	0.17/0.08	40.1	547
DBF12038x230L	Ball,Sleeve,Oil	230V(50/60HZ)	0.06/0.06	8.00/7.60	2300/1650	73.5/51.4	0.14/0.06	39.2/30.5	547

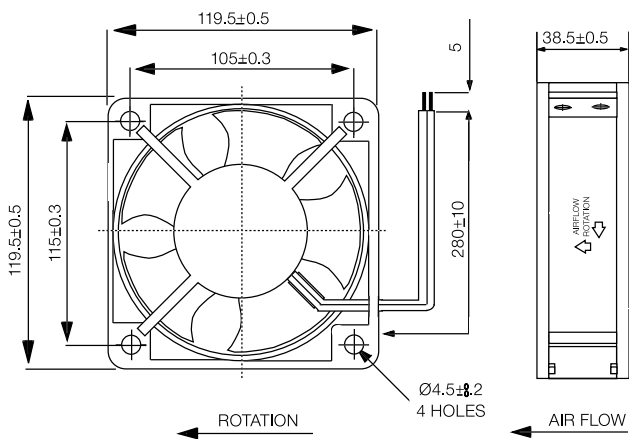
Impeller: Plastic (UL;94V-0)

Lead Wire: UL1430 AWG22

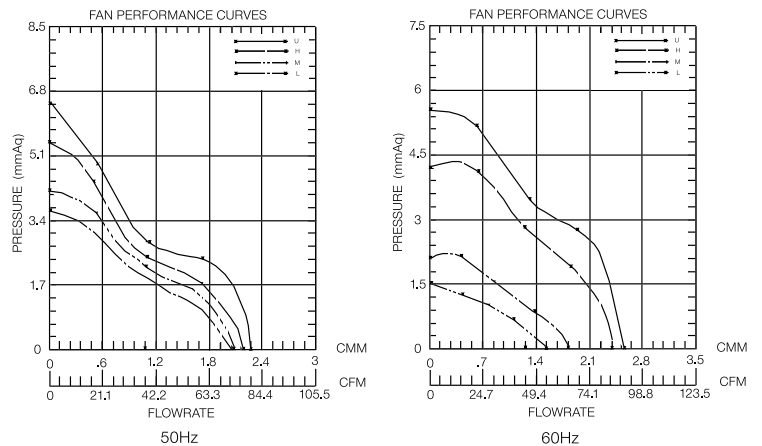
Operating Temp:-10° to 70°C

SECTION 12

## EXTERNAL DIMENSIONS



## PERFORMANCE CURVE



## ORDERING INFORMATION

DBF	12038	B	115	M	T
Dubilier Fans	Size	Bearing	Voltage	Airflow	Lead Type
	120x120x38mm	B=Ball S=Sleeve G=Oil	115=115vac 230=230vac	U=Ultra High H=High M=Medium L=Low	T=Terminal W=Wires