

D TYPE CONNECTORS LOW COST

HIGH DENSITY SOLDER PIN STRAIGHT

- 15, 26, 44, 62 or 78 way
- Stamped & Formed Contacts
- Selective Gold Plated Contacts
- Tin Plated Metal Housing
- Low cost



SPECIFICATION

Mechanical:

Insulator: PBT +30% Glass Fibre
UL94V-0

Pin contacts: Phosphor Bronze
Gold Plated

Shell: Steel, SPCC
Nickel and Tin Plated

Electrical Data:

Rated Voltage: 350V AC

Rated Current: 5A

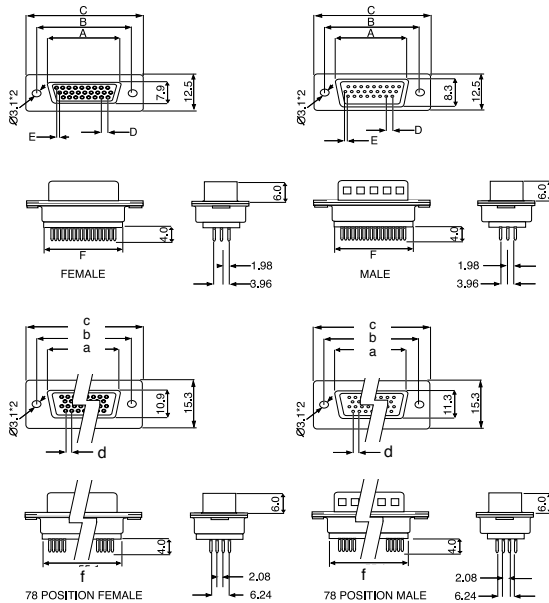
With stand Voltage: 500V AC(rms)

Insulation Resistance: Over 1000 MΩ

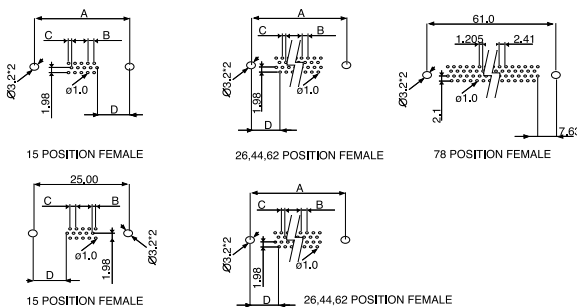
Contact Resistance: 5 MΩ at 1A

Temperature: -20 °C to 100 °C

OUTLINE DRAWING



P.C. BOARD LAYOUT PATTERN



| POSITION | A | B | C | D | E | F |
|----------|-------|-------|------|------|------|------|
| 15 F | 16.30 | 25.00 | 30.8 | 2.29 | 1.14 | 19.2 |
| 26 F | 24.60 | 33.30 | 39.2 | 2.29 | 1.14 | 27.7 |
| 44 F | 38.30 | 47.10 | 53.1 | 2.29 | 1.14 | 41.1 |
| 62 F | 54.80 | 63.50 | 69.4 | 2.41 | 1.20 | 57.3 |
| 78F | 67.0 | 61.0 | 67.0 | 2.41 | - | 55.1 |

| POSITION | A | B | C | D | E | F |
|----------|-------|-------|------|------|------|------|
| 15 M | 16.92 | 25.00 | 30.8 | 2.29 | 1.14 | 19.2 |
| 26 M | 25.25 | 33.30 | 39.2 | 2.29 | 1.14 | 27.7 |
| 44 M | 38.96 | 47.10 | 53.1 | 2.29 | 1.14 | 41.1 |
| 62 M | 55.42 | 63.50 | 69.4 | 2.41 | 1.20 | 57.3 |
| 78M | 52.81 | 61.0 | 67.0 | 2.41 | - | 55.1 |

P.C. BOARD LAYOUT

| POSITION | A | B | C | D |
|----------|------|------|-------|------|
| 15 M/F | 25.0 | 2.29 | 1.145 | 7.04 |
| 26 M/F | 33.3 | 2.29 | 1.145 | 6.88 |
| 44 M/F | 47.1 | 2.29 | 1.145 | 6.88 |
| 62 M/F | 63.5 | 2.41 | 1.205 | 7.00 |

ORDERING INFORMATION

| DBC | HD | F | SS | 26 | S |
|---------------------|-----------------------------------|------------------------|----------------------|--|----------------------|
| Dubilier Connectors | Series | Connector Type | Contact Style | N° of Ways | Contact Plating |
| | HD= High Density Stamped & Formed | M = Male F = Female | SS = Solder Straight | 15 = 15ways 26 = 26ways 44 = 44ways 62 = 62ways 78 =78ways | S= Selective Plating |