

# Packaging specifications

<surface mounting type>

## ●Taping Code

Taping Code	Package	Package Specification	Packaging Style, Direction	Ordering Unit (pcs/reel)
T2R	<b>GMD2</b>	Embossed tape	Cathode at sprocket side	8,000
T2R	<b>VMN2</b>	Embossed tape	Cathode at sprocket side	8,000
T2R	<b>VMD2</b>	Embossed tape	Cathode at sprocket side	8,000
T2L	<b>VMD3</b>	Embossed tape	One terminal at sprocket side	8,000
TE61	<b>EMD2</b>	Embossed tape	Cathode at sprocket side	3,000
TL	<b>EMD3</b>	Embossed tape	One terminal at sprocket side	3,000
T2R	<b>EMD4</b> <b>EMD5</b> <b>TEMD5</b> <b>EMD6</b>	Embossed tape	Cathode at sprocket side	8,000
TE-17	<b>UMD2</b>	Embossed tape	Cathode at sprocket side	3,000
TW11*1				
T106	<b>UMD3</b>	Embossed tape	One terminal at sprocket side	3,000
TL	<b>UMD4</b>	Embossed tape	Cathode at sprocket side (DA227)	3,000
TR	<b>UMD5</b>	Embossed tape	Three terminals at sprocket side	3,000
TR	<b>UMD6</b>	Embossed tape	Cathode at sprocket side	3,000
TN	<b>UMD6</b>	Embossed tape	No feed direction	3,000
★TR*2			Cathode at sprocket side	
T116	<b>SSD3</b>	Embossed tape	One terminal at sprocket side	3,000
T146	<b>SMD3</b>	Embossed tape	One terminal at sprocket side	3,000
T148	<b>SMD5</b>	Embossed tape	Three terminals at sprocket side	3,000
T108*3	<b>SMD6</b>	Embossed tape	Anode at sprocket side	3,000
T110			No feed direction	
TR	<b>TSMD5</b>	Embossed tape	Pin1 at sprocket side	3,000
TR	<b>TSMD6</b>	Embossed tape	Pin1 at sprocket side	3,000
TR	<b>TUMD2</b>	Embossed tape	Cathode at sprocket side	3,000
TR	<b>TUMD5</b>	Embossed tape	Pin1 at sprocket side	3,000
TR	<b>PMDU</b>	Embossed tape	Cathode at sprocket side	3,000
TR	<b>PMDT</b>	Embossed tape	Cathode at sprocket side	3,000
TE25	<b>PMDS</b>	Embossed tape	Cathode at sprocket side	1,500
TL	<b>CPD</b>	Embossed tape	Fin at sprocket side	2,500
TL	<b>LPDS</b>	Embossed tape	Fin at sprocket side	1,000
-	<b>TO-220</b>	Bulk	-	500
TE-11	<b>LLDS</b>	Embossed tape	Cathode at sprocket side	2,500
TE61	<b>HMD8</b>	Embossed tape	Cathode at sprocket side	3,000
TE61	<b>HMD12</b>	Embossed tape	Cathode at sprocket side	3,000

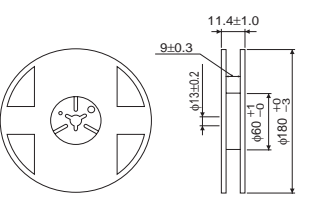
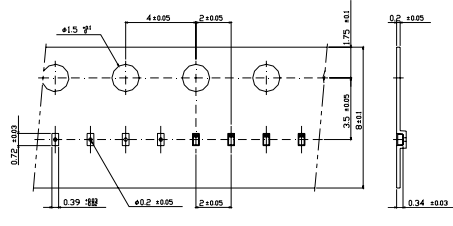
Notes: \*1 Regarding the UMD2 package, only 1SS356 is available in TW11.

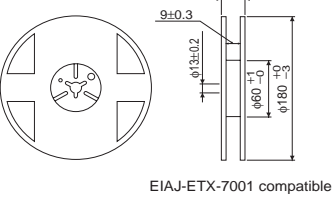
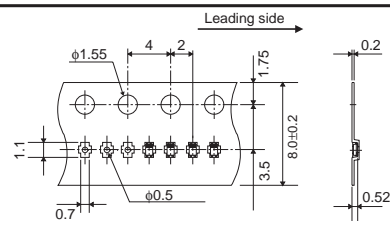
\*2 Regarding the UMD6 package, only RB731XN is offered in TR.

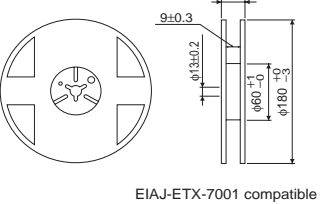
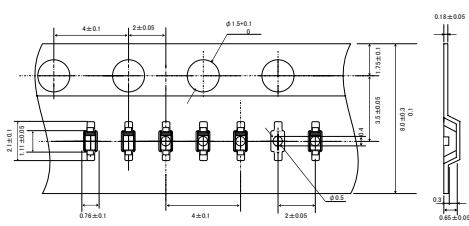
\*3 Regarding the SMD6 package, only IMN10 and RB731U are available in T108.

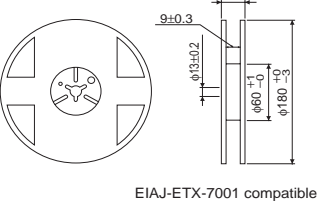
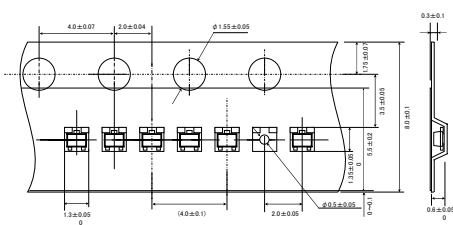
★ Available outside Japan

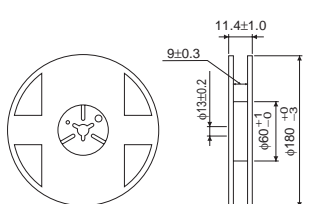
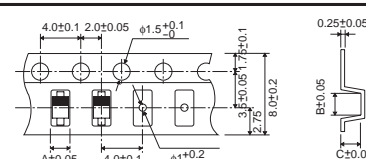
●Taping Specifications (Unit : mm)

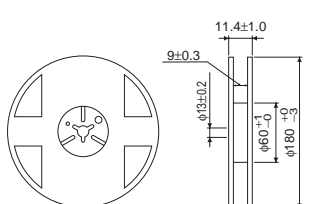
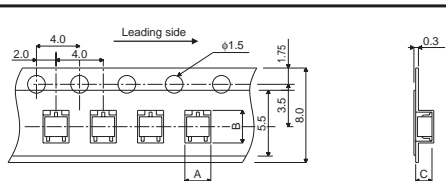
Reel	Taping				
GMD2					
 <p>EIAJ-ETX-7001 compatible</p>	 <table border="1"> <tr> <td>Code</td> <td>Quantity/Reel</td> </tr> <tr> <td>T2R</td> <td>8,000</td> </tr> </table>	Code	Quantity/Reel	T2R	8,000
Code	Quantity/Reel				
T2R	8,000				

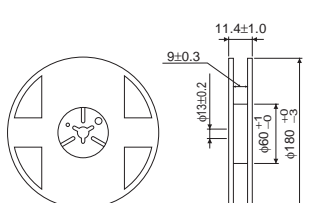
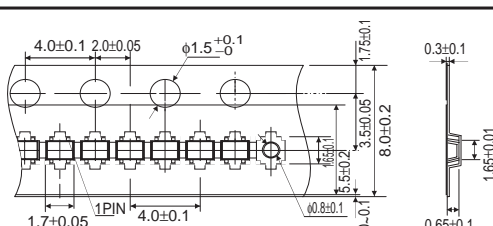
Reel	Taping				
VMN2					
 <p>EIAJ-ETX-7001 compatible</p>	 <table border="1"> <tr> <td>Code</td> <td>Quantity/Reel</td> </tr> <tr> <td>T2R</td> <td>8,000</td> </tr> </table>	Code	Quantity/Reel	T2R	8,000
Code	Quantity/Reel				
T2R	8,000				

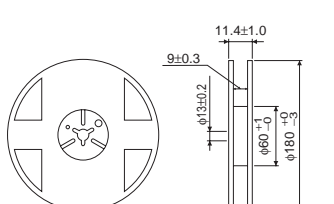
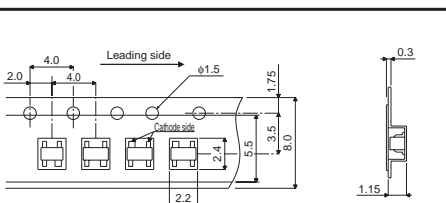
Reel	Taping				
VMD2					
 <p>EIAJ-ETX-7001 compatible</p>	 <table border="1"> <tr> <td>Code</td> <td>Quantity/Reel</td> </tr> <tr> <td>T2R</td> <td>8,000</td> </tr> </table>	Code	Quantity/Reel	T2R	8,000
Code	Quantity/Reel				
T2R	8,000				

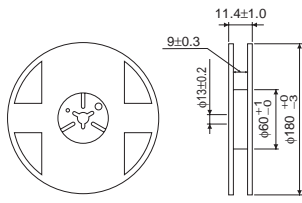
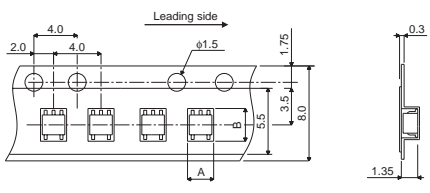
Reel	Taping				
VMD3					
 <p>EIAJ-ETX-7001 compatible</p>	 <table border="1"> <tr> <td>Code</td> <td>Quantity/Reel</td> </tr> <tr> <td>T2L</td> <td>8,000</td> </tr> </table>	Code	Quantity/Reel	T2L	8,000
Code	Quantity/Reel				
T2L	8,000				

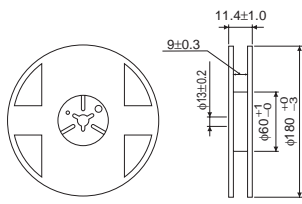
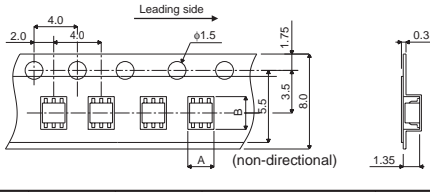
Reel	Taping																																	
<b>EMD2/UMD2/TUMD2/PMDU</b>																																		
 <p style="text-align: center;">EIAJ-ETX-7001 compatible</p>	 <table border="1" style="margin: 10px auto; border-collapse: collapse;"> <thead> <tr> <th rowspan="2">Package</th> <th rowspan="2">Code</th> <th colspan="3">Dimensions</th> <th rowspan="2">Quantity/Reel</th> </tr> <tr> <th>A</th> <th>B</th> <th>C</th> </tr> </thead> <tbody> <tr> <td><b>EMD2</b></td> <td>TE61</td> <td>0.9</td> <td>1.3</td> <td>0.8</td> <td>3,000</td> </tr> <tr> <td><b>UMD2</b></td> <td>TE-17 TW11</td> <td>1.4</td> <td>2.8</td> <td>1.0</td> <td>3,000</td> </tr> <tr> <td><b>TUMD2</b></td> <td>TR</td> <td>1.4</td> <td>2.8</td> <td>0.9</td> <td>3,000</td> </tr> <tr> <td><b>PMDU</b></td> <td>TR</td> <td>1.8</td> <td>3.7</td> <td>1.5</td> <td>3,000</td> </tr> </tbody> </table> <p style="text-align: center; font-size: small;">Regarding the UMD2 package, only 1SS356 is available in TW11.</p>	Package	Code	Dimensions			Quantity/Reel	A	B	C	<b>EMD2</b>	TE61	0.9	1.3	0.8	3,000	<b>UMD2</b>	TE-17 TW11	1.4	2.8	1.0	3,000	<b>TUMD2</b>	TR	1.4	2.8	0.9	3,000	<b>PMDU</b>	TR	1.8	3.7	1.5	3,000
Package	Code			Dimensions				Quantity/Reel																										
		A	B	C																														
<b>EMD2</b>	TE61	0.9	1.3	0.8	3,000																													
<b>UMD2</b>	TE-17 TW11	1.4	2.8	1.0	3,000																													
<b>TUMD2</b>	TR	1.4	2.8	0.9	3,000																													
<b>PMDU</b>	TR	1.8	3.7	1.5	3,000																													

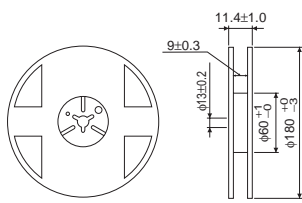
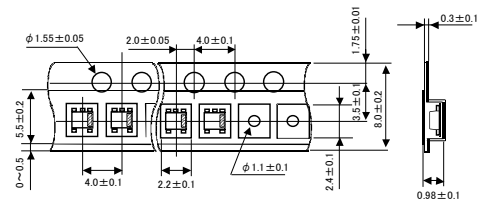
Reel	Taping																																	
<b>EMD3/UMD3/SSD3/SMD3</b>																																		
 <p style="text-align: center;">EIAJ-ETX-7001 compatible</p>	 <table border="1" style="margin: 10px auto; border-collapse: collapse;"> <thead> <tr> <th rowspan="2">Package</th> <th rowspan="2">Code</th> <th colspan="3">Dimensions</th> <th rowspan="2">Quantity/Reel</th> </tr> <tr> <th>A</th> <th>B</th> <th>C</th> </tr> </thead> <tbody> <tr> <td><b>EMD3</b></td> <td>TL</td> <td>1.8</td> <td>1.8</td> <td>0.9</td> <td>3,000</td> </tr> <tr> <td><b>UMD3</b></td> <td>T106</td> <td>2.2</td> <td>2.7</td> <td>1.15</td> <td>3,000</td> </tr> <tr> <td><b>★SSD3</b></td> <td>T116</td> <td>3.1</td> <td>2.85</td> <td>1.4</td> <td>3,000</td> </tr> <tr> <td><b>SMD3</b></td> <td>T146</td> <td>3.2</td> <td>3.2</td> <td>1.35</td> <td>3,000</td> </tr> </tbody> </table>	Package	Code	Dimensions			Quantity/Reel	A	B	C	<b>EMD3</b>	TL	1.8	1.8	0.9	3,000	<b>UMD3</b>	T106	2.2	2.7	1.15	3,000	<b>★SSD3</b>	T116	3.1	2.85	1.4	3,000	<b>SMD3</b>	T146	3.2	3.2	1.35	3,000
Package	Code			Dimensions				Quantity/Reel																										
		A	B	C																														
<b>EMD3</b>	TL	1.8	1.8	0.9	3,000																													
<b>UMD3</b>	T106	2.2	2.7	1.15	3,000																													
<b>★SSD3</b>	T116	3.1	2.85	1.4	3,000																													
<b>SMD3</b>	T146	3.2	3.2	1.35	3,000																													

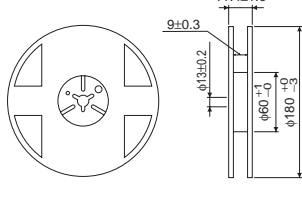
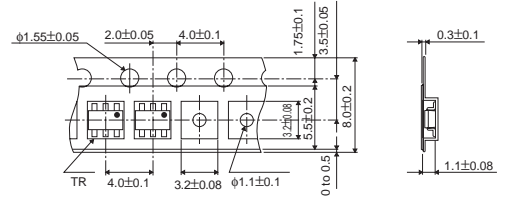
Reel	Taping				
<b>EMD4/EMD5/TEMD5/EMD6</b>					
 <p style="text-align: center;">EIAJ-ETX-7001 compatible</p>	 <table border="1" style="margin: 10px auto; border-collapse: collapse;"> <thead> <tr> <th>Code</th> <th>Quantity/Reel</th> </tr> </thead> <tbody> <tr> <td>T2R</td> <td>3,000</td> </tr> </tbody> </table>	Code	Quantity/Reel	T2R	3,000
Code	Quantity/Reel				
T2R	3,000				

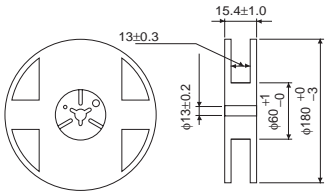
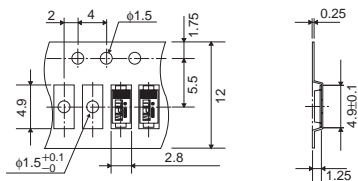
Reel	Taping				
<b>UMD4 &lt;SOT-343&gt; (SC-82)</b>					
 <p style="text-align: center;">EIAJ-ETX-7001 compatible</p>	 <table border="1" style="margin: 10px auto; border-collapse: collapse;"> <thead> <tr> <th>Code</th> <th>Quantity/Reel</th> </tr> </thead> <tbody> <tr> <td>TL</td> <td>3,000</td> </tr> </tbody> </table>	Code	Quantity/Reel	TL	3,000
Code	Quantity/Reel				
TL	3,000				

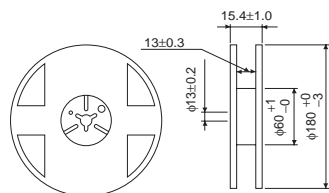
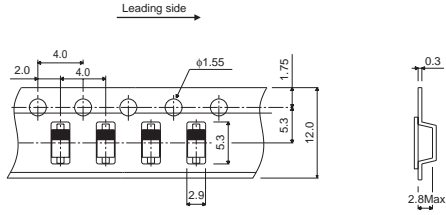
Reel	Taping																	
<b>UMD5/SMD5</b>																		
 <p style="text-align: center;">EIAJ-ETX-7001 compatible</p>	 <table border="1" style="margin: 10px auto; border-collapse: collapse;"> <thead> <tr> <th rowspan="2">Package</th> <th rowspan="2">Code</th> <th colspan="2">Dimensions</th> <th rowspan="2">Quantity/Reel</th> </tr> <tr> <th>A</th> <th>B</th> </tr> </thead> <tbody> <tr> <td><b>UMD5</b></td> <td>TR</td> <td>2.2</td> <td>2.4</td> <td>3,000</td> </tr> <tr> <td><b>SMD5</b></td> <td>T148</td> <td>3.2</td> <td>3.2</td> <td>3,000</td> </tr> </tbody> </table>	Package	Code	Dimensions		Quantity/Reel	A	B	<b>UMD5</b>	TR	2.2	2.4	3,000	<b>SMD5</b>	T148	3.2	3.2	3,000
Package	Code			Dimensions			Quantity/Reel											
		A	B															
<b>UMD5</b>	TR	2.2	2.4	3,000														
<b>SMD5</b>	T148	3.2	3.2	3,000														

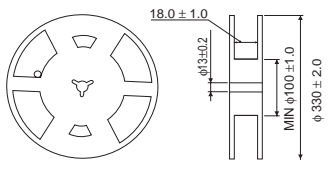
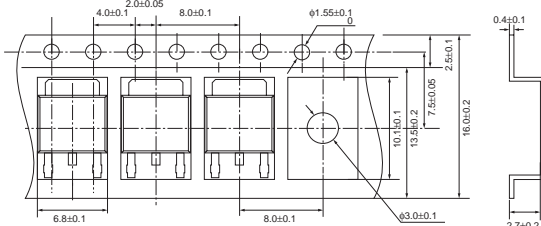
Reel	Taping																								
<b>UMD6/SMD6</b>																									
 <p style="text-align: center;">EIAJ-ETX-7001 compatible</p>	 <table border="1" style="margin: 10px auto; border-collapse: collapse;"> <thead> <tr> <th rowspan="2">Package</th> <th rowspan="2">Code</th> <th rowspan="2">Directional</th> <th colspan="2">Dimensions</th> <th rowspan="2">Quantity/Reel</th> </tr> <tr> <th>A</th> <th>B</th> </tr> </thead> <tbody> <tr> <td rowspan="2"><b>UMD6</b></td> <td>TR</td> <td>Cathode at sprocket side</td> <td rowspan="2">2.2</td> <td rowspan="2">2.4</td> <td rowspan="2">3,000</td> </tr> <tr> <td>TN</td> <td>Cathode at either side</td> </tr> <tr> <td rowspan="2"><b>SMD6</b></td> <td>T108</td> <td>Anode at sprocket side</td> <td rowspan="2">3.2</td> <td rowspan="2">3.2</td> <td rowspan="2">3,000</td> </tr> <tr> <td>T110</td> <td>Cathode at either side</td> </tr> </tbody> </table>	Package	Code	Directional	Dimensions		Quantity/Reel	A	B	<b>UMD6</b>	TR	Cathode at sprocket side	2.2	2.4	3,000	TN	Cathode at either side	<b>SMD6</b>	T108	Anode at sprocket side	3.2	3.2	3,000	T110	Cathode at either side
Package	Code				Directional	Dimensions		Quantity/Reel																	
		A	B																						
<b>UMD6</b>	TR	Cathode at sprocket side	2.2	2.4	3,000																				
	TN	Cathode at either side																							
<b>SMD6</b>	T108	Anode at sprocket side	3.2	3.2	3,000																				
	T110	Cathode at either side																							

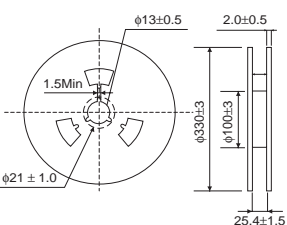
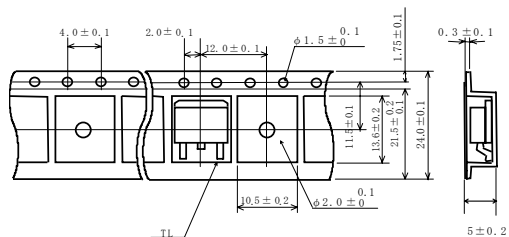
Reel	Taping				
<b>TUMD5</b>					
 <p style="text-align: center;">EIAJ-ETX-7001 compatible</p>	 <table border="1" style="margin: 10px auto; border-collapse: collapse;"> <thead> <tr> <th>Code</th> <th>Quantity/Reel</th> </tr> </thead> <tbody> <tr> <td>TR</td> <td>3,000</td> </tr> </tbody> </table>	Code	Quantity/Reel	TR	3,000
Code	Quantity/Reel				
TR	3,000				

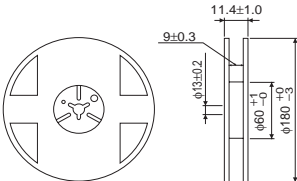
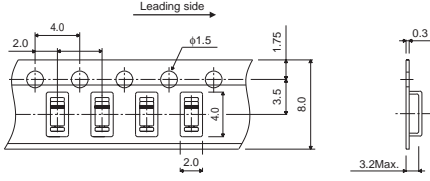
Reel	Taping				
<b>TSMD5/TSMD6</b>					
 <p style="text-align: center;">EIAJ-ETX-7001 compatible</p>	 <table border="1" style="margin: 10px auto; border-collapse: collapse;"> <thead> <tr> <th>Code</th> <th>Quantity/Reel</th> </tr> </thead> <tbody> <tr> <td>TR</td> <td>3,000</td> </tr> </tbody> </table>	Code	Quantity/Reel	TR	3,000
Code	Quantity/Reel				
TR	3,000				

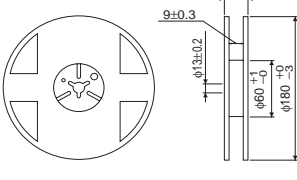
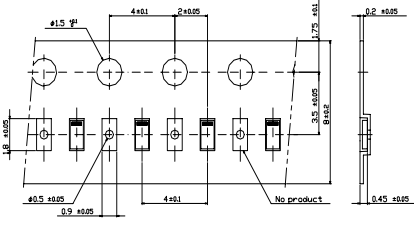
Reel	Taping				
<b>PMDT</b>					
 <p style="text-align: center;">EIAJ-ETX-7001 compatible</p>	 <table border="1" style="width:100%; margin-top: 10px; border-collapse: collapse;"> <tr> <th style="width:50%;">Code</th> <th style="width:50%;">Quantity/Reel</th> </tr> <tr> <td style="text-align: center;">TR</td> <td style="text-align: center;">3,000</td> </tr> </table>	Code	Quantity/Reel	TR	3,000
Code	Quantity/Reel				
TR	3,000				

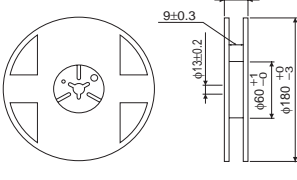
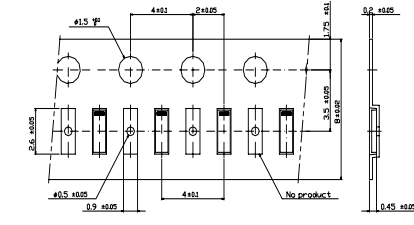
Reel	Taping				
<b>PMDS</b>					
 <p style="text-align: center;">EIAJ-ETX-7001 compatible</p>	 <table border="1" style="width:100%; margin-top: 10px; border-collapse: collapse;"> <tr> <th style="width:50%;">Code</th> <th style="width:50%;">Quantity/Reel</th> </tr> <tr> <td style="text-align: center;">TE25</td> <td style="text-align: center;">1,500</td> </tr> </table>	Code	Quantity/Reel	TE25	1,500
Code	Quantity/Reel				
TE25	1,500				

Reel	Taping				
<b>CPD</b>					
 <p style="text-align: center;">EIAJ-ETX-7001 compatible</p>	 <table border="1" style="width:100%; margin-top: 10px; border-collapse: collapse;"> <tr> <th style="width:50%;">Code</th> <th style="width:50%;">Quantity/Reel</th> </tr> <tr> <td style="text-align: center;">TL</td> <td style="text-align: center;">2,500</td> </tr> </table>	Code	Quantity/Reel	TL	2,500
Code	Quantity/Reel				
TL	2,500				

Reel	Taping				
<b>LPDS</b>					
 <p style="text-align: center;">EIAJ-ETX-7001 compatible</p>	 <table border="1" style="width:100%; margin-top: 10px; border-collapse: collapse;"> <tr> <th style="width:50%;">Code</th> <th style="width:50%;">Quantity/Reel</th> </tr> <tr> <td style="text-align: center;">TL</td> <td style="text-align: center;">1,000</td> </tr> </table>	Code	Quantity/Reel	TL	1,000
Code	Quantity/Reel				
TL	1,000				

Reel	Taping				
LLDS					
 <p>EIAJ-ETX-7001 compatible</p>	 <table border="1" style="width: 100%; margin-top: 10px;"> <tr> <th style="width: 50%;">Code</th> <th style="width: 50%;">Quantity/Reel</th> </tr> <tr> <td>TE-11</td> <td>2,500</td> </tr> </table>	Code	Quantity/Reel	TE-11	2,500
Code	Quantity/Reel				
TE-11	2,500				

Reel	Taping				
HMD12					
 <p>EIAJ-ETX-7001 compatible</p>	 <table border="1" style="width: 100%; margin-top: 10px;"> <tr> <th style="width: 50%;">Code</th> <th style="width: 50%;">Quantity/Reel</th> </tr> <tr> <td>TE61</td> <td>3,000</td> </tr> </table>	Code	Quantity/Reel	TE61	3,000
Code	Quantity/Reel				
TE61	3,000				

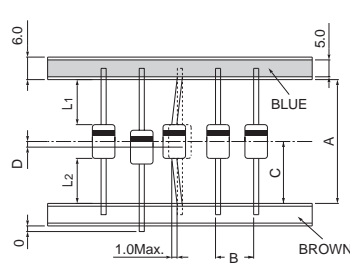
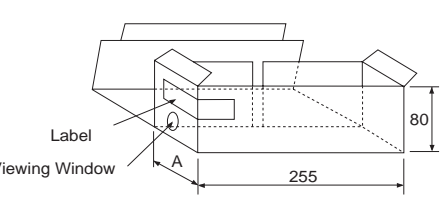
Reel	Taping				
HMD18					
 <p>EIAJ-ETX-7001 compatible</p>	 <table border="1" style="width: 100%; margin-top: 10px;"> <tr> <th style="width: 50%;">Code</th> <th style="width: 50%;">Quantity/Reel</th> </tr> <tr> <td>TE61</td> <td>3,000</td> </tr> </table>	Code	Quantity/Reel	TE61	3,000
Code	Quantity/Reel				
TE61	3,000				

<leaded type>

●Taping Code

Taping Code	Package	Package Specification		Packaging Style, Direction	Ordering Unit (pcs)
T-72	MSD (DO-34)	Axial taping	52mm width	Ammo box	5,000
T-77			26mm width		
T-72	GSD (DO-35)	Axial taping	52mm width	Ammo box	5,000
T-77			26mm width		
T-31	MSR (DO-41mini)	Axial taping	52mm width	Ammo box	2,500
T-32			26mm width		

●Taping Specifications (Unit : mm)

Taping	Box																																									
<p>MSD/MSR</p>  <table border="1" style="width: 100%; border-collapse: collapse; margin-top: 10px;"> <thead> <tr> <th>Code</th> <th>T-72</th> <th>T-31</th> <th>T-77</th> <th>T-32</th> </tr> </thead> <tbody> <tr> <td>Quantity / Box</td> <td>5,000</td> <td>2,500</td> <td>5,000</td> <td>2,500</td> </tr> <tr> <td>A</td> <td>52.4</td> <td></td> <td>26.0</td> <td></td> </tr> <tr> <td>B</td> <td>5.0</td> <td></td> <td>5.0</td> <td></td> </tr> <tr> <td>C</td> <td>1/2A</td> <td></td> <td>1/2A</td> <td></td> </tr> <tr> <td>D</td> <td>0.7Max.</td> <td></td> <td>0.2Max.</td> <td></td> </tr> <tr> <td>L1-L2</td> <td>1.5Max.</td> <td></td> <td>0.4Max.</td> <td></td> </tr> </tbody> </table>	Code	T-72	T-31	T-77	T-32	Quantity / Box	5,000	2,500	5,000	2,500	A	52.4		26.0		B	5.0		5.0		C	1/2A		1/2A		D	0.7Max.		0.2Max.		L1-L2	1.5Max.		0.4Max.		<p>T-31, T-32, T-72, T-77</p>  <table border="1" style="width: 100%; border-collapse: collapse; margin-top: 10px;"> <thead> <tr> <th>Symbol</th> <th>52 mm width</th> <th>26 mm width</th> </tr> </thead> <tbody> <tr> <td>A</td> <td>80</td> <td>50</td> </tr> </tbody> </table>	Symbol	52 mm width	26 mm width	A	80	50
Code	T-72	T-31	T-77	T-32																																						
Quantity / Box	5,000	2,500	5,000	2,500																																						
A	52.4		26.0																																							
B	5.0		5.0																																							
C	1/2A		1/2A																																							
D	0.7Max.		0.2Max.																																							
L1-L2	1.5Max.		0.4Max.																																							
Symbol	52 mm width	26 mm width																																								
A	80	50																																								

### Notes

No copying or reproduction of this document, in part or in whole, is permitted without the consent of ROHM Co.,Ltd.

The content specified herein is subject to change for improvement without notice.

The content specified herein is for the purpose of introducing ROHM's products (hereinafter "Products"). If you wish to use any such Product, please be sure to refer to the specifications, which can be obtained from ROHM upon request.

Examples of application circuits, circuit constants and any other information contained herein illustrate the standard usage and operations of the Products. The peripheral conditions must be taken into account when designing circuits for mass production.

Great care was taken in ensuring the accuracy of the information specified in this document. However, should you incur any damage arising from any inaccuracy or misprint of such information, ROHM shall bear no responsibility for such damage.

The technical information specified herein is intended only to show the typical functions of and examples of application circuits for the Products. ROHM does not grant you, explicitly or implicitly, any license to use or exercise intellectual property or other rights held by ROHM and other parties. ROHM shall bear no responsibility whatsoever for any dispute arising from the use of such technical information.

The Products specified in this document are intended to be used with general-use electronic equipment or devices (such as audio visual equipment, office-automation equipment, communication devices, electronic appliances and amusement devices).

The Products are not designed to be radiation tolerant.

While ROHM always makes efforts to enhance the quality and reliability of its Products, a Product may fail or malfunction for a variety of reasons.

Please be sure to implement in your equipment using the Products safety measures to guard against the possibility of physical injury, fire or any other damage caused in the event of the failure of any Product, such as derating, redundancy, fire control and fail-safe designs. ROHM shall bear no responsibility whatsoever for your use of any Product outside of the prescribed scope or not in accordance with the instruction manual.

The Products are not designed or manufactured to be used with any equipment, device or system which requires an extremely high level of reliability the failure or malfunction of which may result in a direct threat to human life or create a risk of human injury (such as a medical instrument, transportation equipment, aerospace machinery, nuclear-reactor controller, fuel-controller or other safety device). ROHM shall bear no responsibility in any way for use of any of the Products for the above special purposes. If a Product is intended to be used for any such special purpose, please contact a ROHM sales representative before purchasing.

If you intend to export or ship overseas any Product or technology specified herein that may be controlled under the Foreign Exchange and the Foreign Trade Law, you will be required to obtain a license or permit under the Law.

Thank you for your accessing to ROHM product informations.

More detail product informations and catalogs are available, please contact your nearest sales office.

**ROHM Customer Support System**

**THE AMERICAS / EUROPE / ASIA / JAPAN**

[www.rohm.com](http://www.rohm.com)

Contact us : [webmaster@rohm.co.jp](mailto:webmaster@rohm.co.jp)