



# TAI-SAW TECHNOLOGY CO., LTD.

No. 3, Industrial 2nd Rd., Ping-Chen Industrial District,  
Taoyuan, 324, Taiwan, R.O.C.

TEL: 886-3-4690038 FAX: 886-3-4697532

E-mail: [tstsales@mail.taisaw.com](mailto:tstsales@mail.taisaw.com) Web: [www.taisaw.com](http://www.taisaw.com)

## Approval Sheet For Product Specification

Issued Date:

Product Name: SAW Filter 864MHz SMD 3.8×3.8mm

TST Parts No.: TA0735A

Customer Parts No.: \_\_\_\_\_

Company: _____
Division: _____
Approved by : _____
Date: _____

Checked by: \_\_\_\_\_ Asin Lin

Approval by: \_\_\_\_\_ Francis Chen

Date: \_\_\_\_\_ 2007/08/17



# TAI-SAW TECHNOLOGY CO., LTD.

No. 3, Industrial 2nd Rd., Ping-Chen Industrial District,  
Taoyuan, 324, Taiwan, R.O.C.

TEL: 886-3-4690038 FAX: 886-3-4697532

E-mail: [tstsales@mail.taisaw.com](mailto:tstsales@mail.taisaw.com) Web: [www.taisaw.com](http://www.taisaw.com)

## SAW Filter 864 MHz

MODEL NO.: TA0735A

REV. NO.:1

### A. MAXIMUM RATING:

1. Input Power Level: 5 dB<sub>m</sub>
2. DC voltage: 3 V
3. Operating Temperature: -10°C to +60°C
4. Storage Temperature: -40°C to +85°C

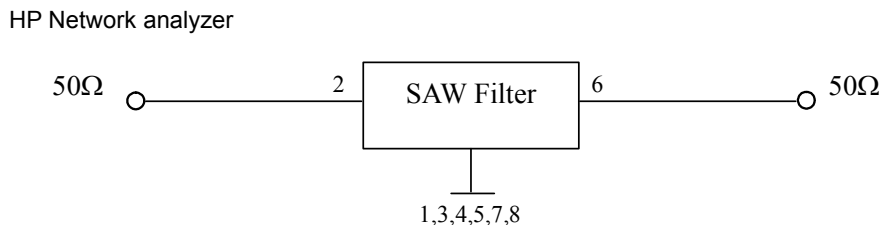
RoHS Compliant  
Lead free  
Lead-free soldering

### B. CHARACTERISTICS:

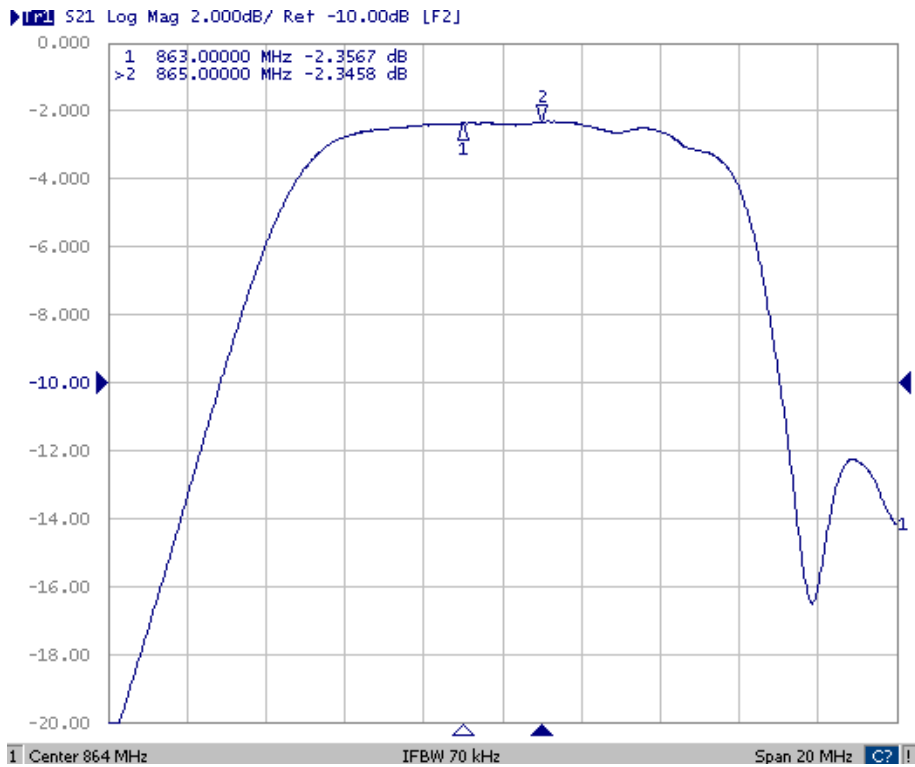
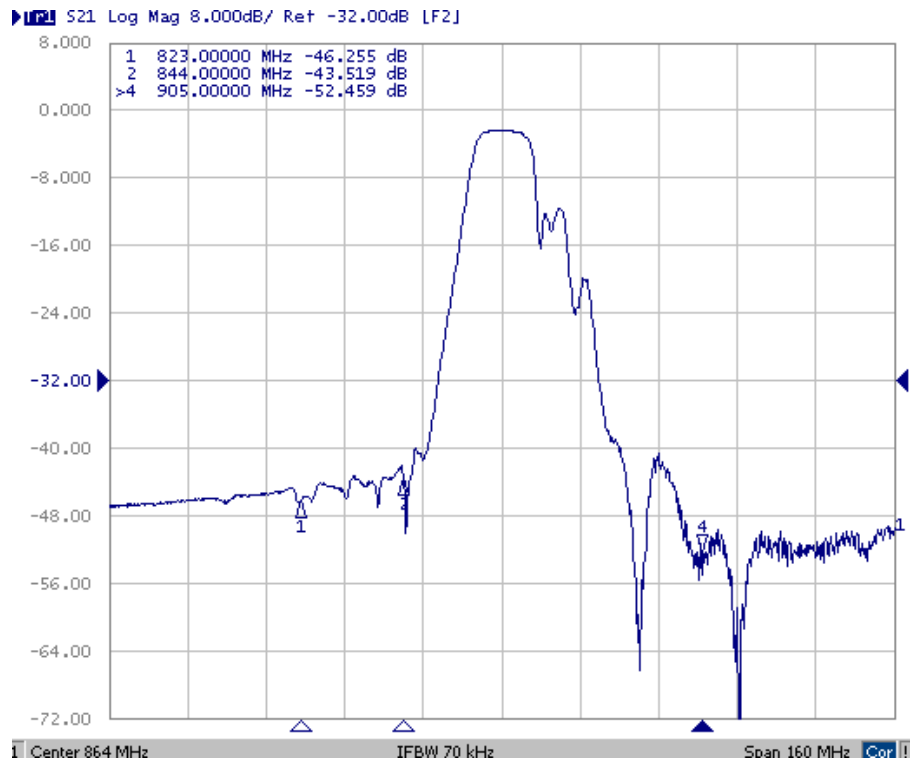
Item		Min.	Typical	Max.
Center frequency	F <sub>c</sub> MH	-	864	-
Insertion loss	863 ~ 865 MHz IL dB	-	2.4	4.2
Amplitude ripple	863 ~ 865 MHz dB	-	0.3	1.3
Attenuation (Reference level from 0 dB)				
820 ~ 823	MHz dB	38	44	-
841~ 844	MHz dB	35	42	-
905 ~ 908	MHz dB	40	47	-
Temperature coefficient of frequency	ppm/k	-	-36	-
Source impedance	Z <sub>s</sub> Ω	-	50	-
Load impedance	Z <sub>L</sub> Ω	-	50	-

Note1. No matching network required for operation at 50Ω

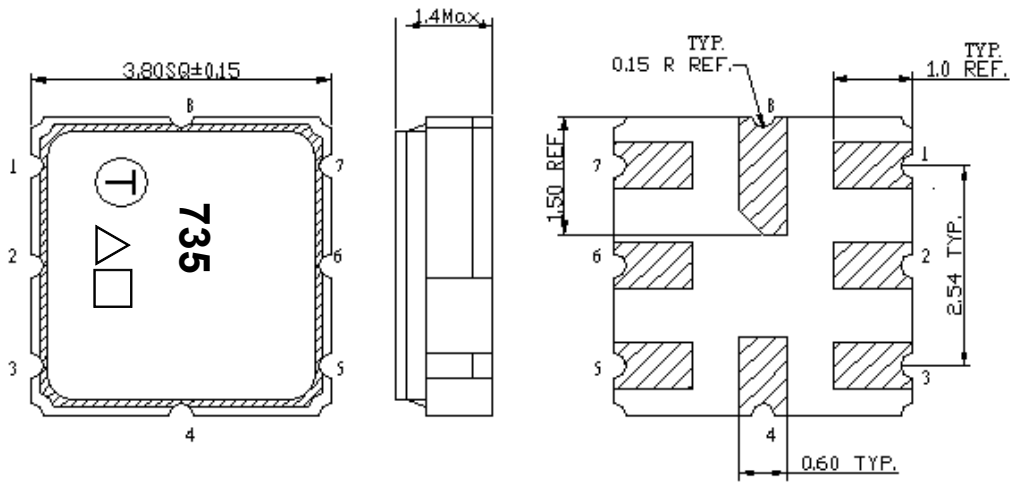
### C. MEASUREMENT CIRCUIT:



### D. TRANSFER FUNCTION :



### E.OUTLINE DRAWING:

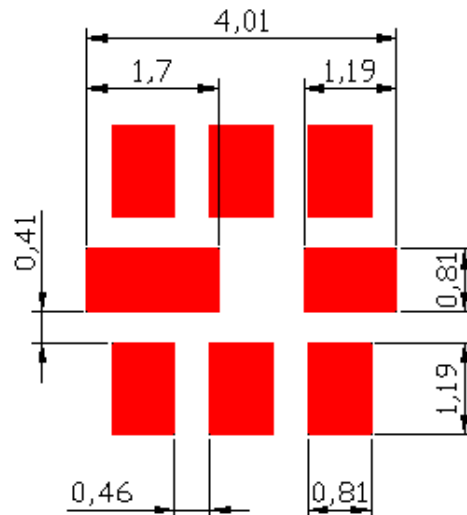


- 2 : Input
- 6: Output
- 1,3,4,5,7,8 Ground
- △:Year Code
- : Date Code(Follow the table provided by planner each year.)
- Unit: mm

△ Product Year Code

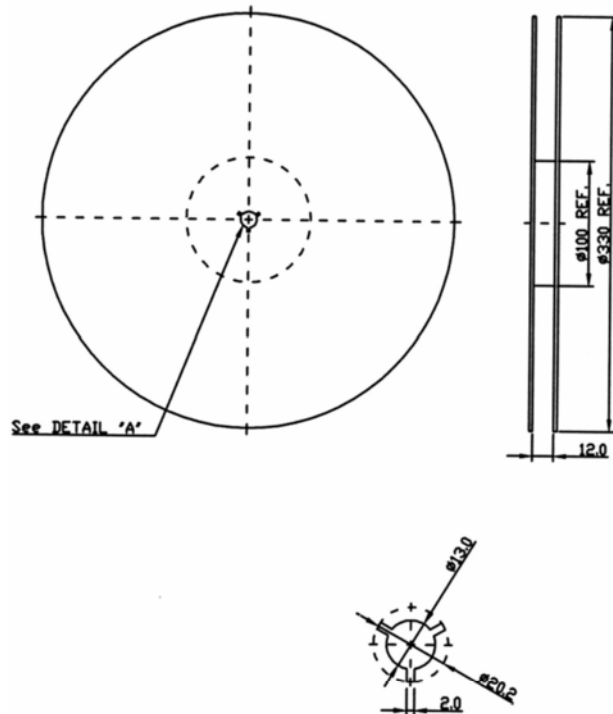
Year	2005 2007 2009	2006 2008 2010
Product Code	A	a

### F.PCB FOOTPRINT:

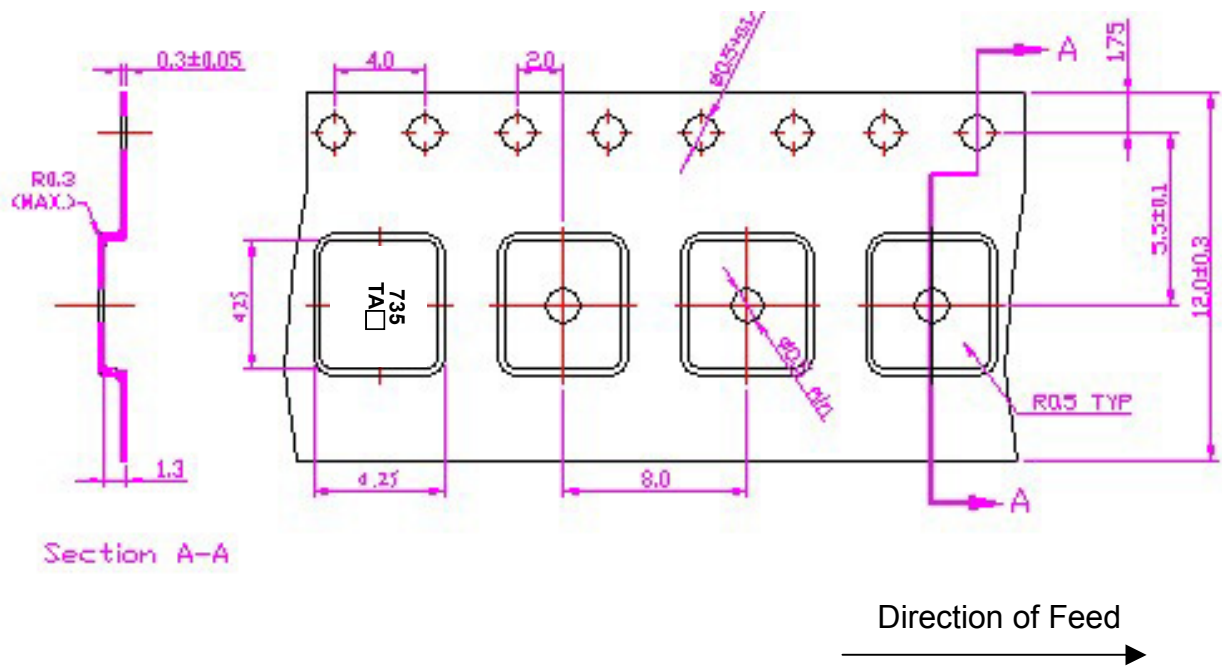


## G. PACKING:

### 1. REEL DIMENSION



### 2. TAPE DIMENSION



## H. REFLOW PROFILE

