

SPS-34-GB-BX



Features

- Compliant with IEEE 802.3ah, 1000Base BX
- Simplex SC Connector
- Digital Diagnostic SFF-8472 Compliant
- 11dB Minimum Power Budget
- 10km Minimum Reach
- Commercial Temperature Operation
- Single 3.3V Supply
- 1310nm FP Laser
- Bellcore GR-468 Compliant
- Color Coded Bail Latch: Blue
- RoHS-5/6 compliant product (lead exemption) (-xxA)
- RoHS compliant product (-xxC)

General Operation

Parameter	Symbol	Min.	Typ.	Max.	Unit
Supply Voltage	V_{CC}	3.135	3.3	3.465	V
Total Current	I_{CC}	-	-	300	mA
Power Supply Noise Rejection		100	-	-	mVp-p
Operating Case Temperature (-Cxx)	T_{opr}	-5	-	70	°C
Operating Case Temperature (-Txx)	T_{opr}	-40	-	85	°C
Storage Temperature	T_{stg}	-40	-	85	°C
Data Rate	DR	-	1250	-	Mbps

Transmitter Specifications (Optical)

Parameter	Symbol	Min	Typical	Max	Unit
Optical Power	P_{op}	-9	-6	-3	dBm
Optical Crosstalk	XT	-	-45	-40	dB
Average Launch Power (Tx:Off)	P_{off}	-	-	-45	dBm
Extinction Ratio	ER	6	-	-	dB
Eye Mask		IEEE 802.3ah			
Optical Rise Time (20% to 80% values)	t_r	-	-	260	ps
Optical Fall Time (20% to 80% values)	t_f	-	-	260	ps
Mean Wavelength	λ	1260	1310	1360	nm
Spectral Width (RMS)	σ	-	-	3.5	nm
Relative Intensity Noise	RIN	-	-	-120	dB/Hz
Transmitter Reflectance	-	-	-	-12	dB
Optical Return Loss Tolerance	ORLT	-	-	12	dB

SPS-34-GB-BX

Transmitter Specifications (Electrical)

Parameter	Symbol	Min	Typical	Max	Unit
Input Differential Impedance	R_{in}	80	100	120	Ω
PECL Single-Ended Data Input Swing	$V_{in, p-p}$	250	-	1200	mV
TxFault_Fault	V_{fault}	2	-	V_{cc}	V
TxFault_Normal	V_{normal}	V_{ee}	-	$V_{ee} + 0.5$	V
TxDisable_Disable	V_d	2	-	V_{cc}	V
TxDisable_Enable	V_{en}	V_{ee}	-	$V_{ee} + 0.8$	V

Receiver Specifications (Optical)

Parameter	Symbol	Min	Typical	Max	Unit
Receiver Power Low ^a	$R_{sens, low}$	-	-22	-20	dBm
Receiver Power High ^a	$R_{sens, high}$	-3	-	-	dBm
Damage Threshold for Receiver	$P_{in, damage}$	0	-	-	dBm
Wavelength ^b	λ	1480	-	1580	nm
LOS Assert	-	-45	-	-	dBm
LOS De-Assert	-	-	-	-20	dBm
LOS Hysteresis	-	0.5	-	-	dB
Receiver Reflectance	-	-	-	-12	dB

a) Measured at 10^{-12} BER, PRBS 27-1, 6dB ER

b) Receiver performance can be maintained over a broader wavelength range of 1480 to 1580nm

Receiver Specifications (Electrical)

Parameter	Symbol	Min	Typical	Max	Unit
PECL Single-Ended Data Output Swing	$V_{out, p-p}$	185	-	800	mV
Data Output Rise Time	t_r	-	-	500	ps
Data Output Fall Time	t_f	-	-	500	ps

SPS-34-GB-BX

Timing and Electrical

Parameter	Symbol	Min	Typical	Max	Unit
Tx Disable Negate Time	t_on	-	-	1	ms
Tx Disable Assert Time	t_off	-	-	10	μs
Time to Initialize, Including Reset of Tx Fault	t_init	-	-	300	ms
Tx Fault Assert Time	t_fault	-	-	100	μs
Tx Disable to Reset	t_reset	10	-	-	μs
LOS Assert Time	t_loss_on	-	-	100	μs
LOS De-Assert Time	t_loss_off	-	-	100	μs
Serial ID Clock Rate	f_serial_clock	-	-	100	KHz
RX_LOS Voltage (High)	Rx_LOS _H	2	-	-	V
RX_LOS Voltage (Low)	Rx_LOS _L	-	-	0.8	V
LOS Output Voltage-Fault	V _{LOS} fault	2	-	V _{CC}	V
LOS Output Voltage-Normal	V _{LOS} normal	V _{ee}	-	V _{ee} + 0.5	V
MOD_DEF (0:2)-High	V _h	2	-	V _{CC}	V
MOD_DEF (0:2)-Low	V _l	V _{ee}	-	V _{ee} + 0.5	V

Diagnostics

Parameter	Range	Accuracy	Unit	Calibration	Bit Value	Formula
Temperature (-CDx)	-5 to 70	±3	°C	Internal	1/256 C	Tc(C) = Tad(16 bit signed twos complement)/256
Temperature (-TDx)	-40 to 85	±3	°C	Internal	1/256 C	Tc(C) = Tad(16 bit signed twos complement)/256
Voltage	0 to V _{CC}	0.1	V	Internal	100μV	V(Volts) = Vad(16 bit unsigned integer)*0.1
Bias Current	0 to 120	5	mA	External	-	I(mA) = Islope * Iad(16 bit unsigned integer)+Ioffset
Tx Power	-9 to -3	±3dB	mW	External	-	Tx_PWR(μW) = Tx_PWRslope*Tx_PWRad(16 bit unsigned integer)+Tx_PWRoffset
Rx Power	-20 to -3	±3dB	mW	External	-	Rx_PWR(μW) = A0+A1*x+A2*x^2+A3*x^3+A4*x^4

SPS-34-GB-BX

EEPROM Serial ID				
Name of Field	Description of Field	Address	Hex	ASCII
Vendor Name	SFP Vendor name (ASCII)	20	4C	L
		21	55	U
		22	4D	M
		23	49	I
		24	4E	N
		25	45	E
		26	4E	N
		27	54	T
		28	4F	O
		29	49	I
		30	43	C
Vendor OUI	IEEE vendor OUI code for Luminent Inc.	37	00	
		38	06	
		39	B5	
Vendor P/N	Part number in ASCII, e.g. SPS-34-GB-BX-CDA	40	53	S
		41	50	p
		42	53	S
		43	33	3
		44	34	4
		45	47	G
		46	42	B
		47	42	B
		48	58	X
		49	43	C
		50	44	D
51	41	A		

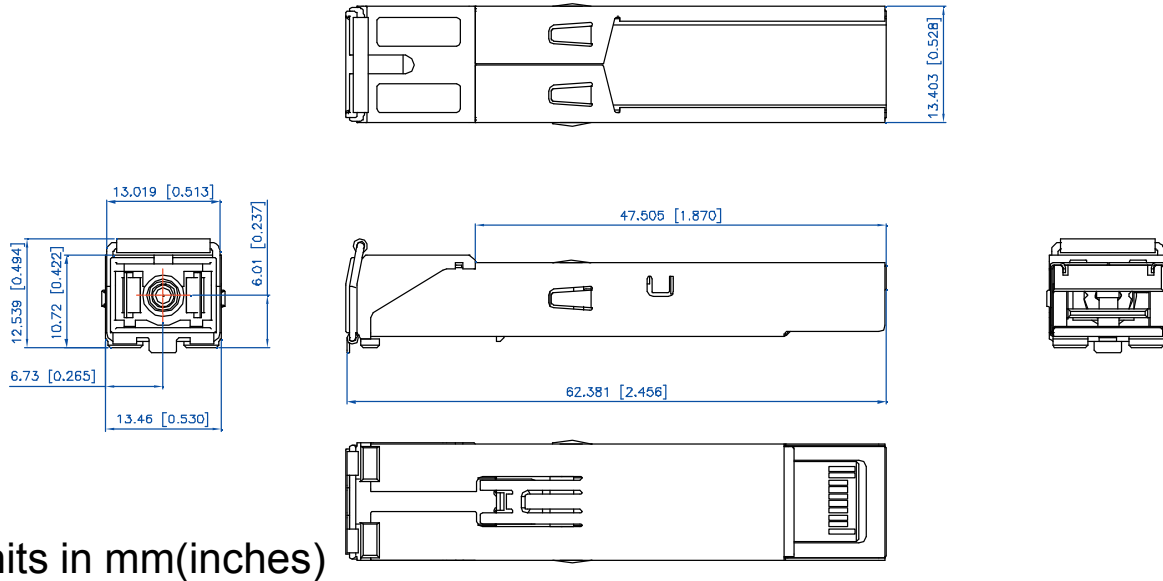
SPS-34-GB-BX

Pinout Definitions

Pin	Function	Notes
1	V _{ee} T	TX GND
2	TX_FAULT	Open Collector
3	TX_DISABLE	Internally Pulled High
4	MOD_DEF2	Serial Data Input
5	MOD_DEF1	Serial Clock Input
6	MOD_DEF0	Internally Grounded
7	NC	Not Connected
8	LOS	Open Collector
9	V _{ee} R	RX Ground
10	V _{ee} R	RX Ground
11	V _{ee} R	RX Ground
12	RXD-	RX Data Negative
13	RXD+	RX Data Positive
14	V _{ee} R	RX GND
15	V _{CC} R	RX Power
16	V _{CC} T	TX Power
17	V _{ee} T	TX GND
18	TXD+	TX Data Positive
19	TXD-	TX Data Negative
20	V _{ee} T	TX GND

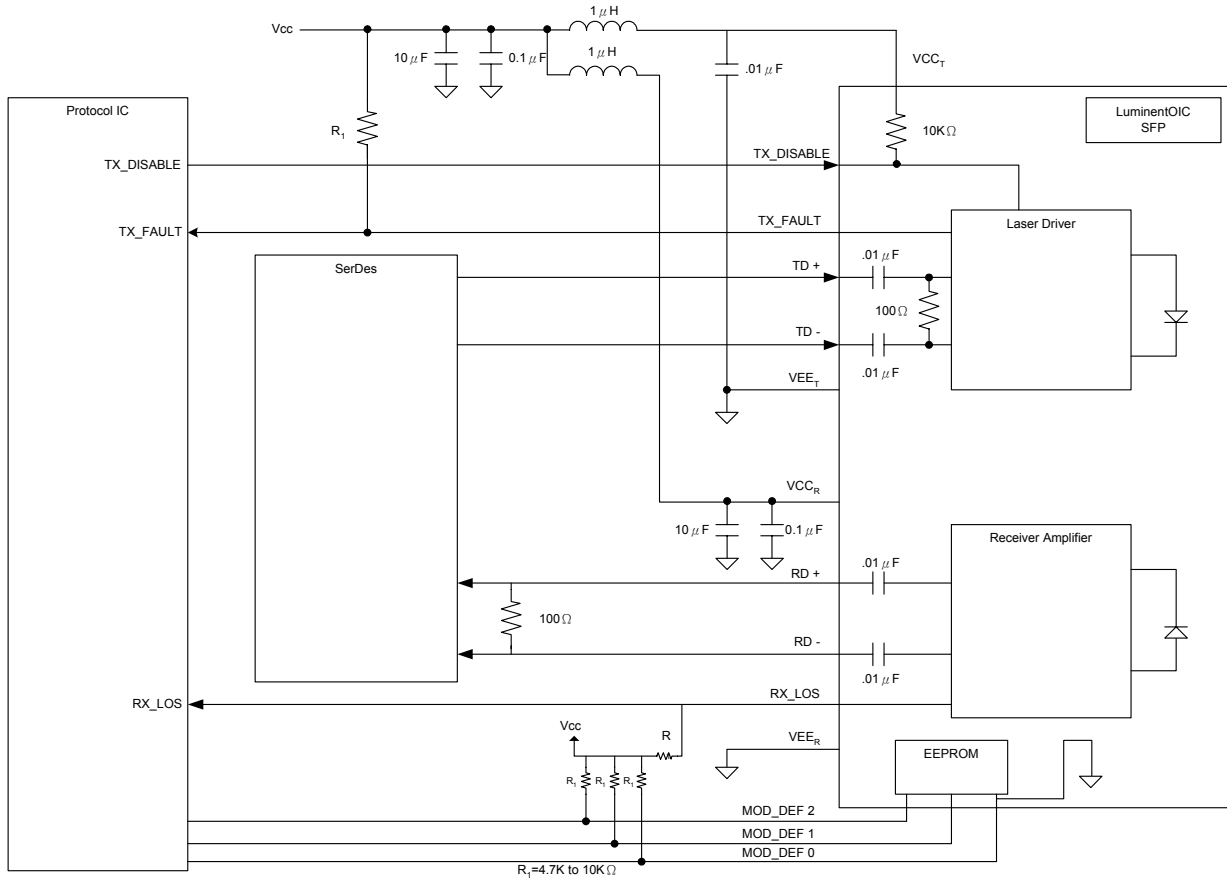
SPS-34-GB-BX

Mechanicals



SPS-34-GB-BX

Suggested Transceiver Interface



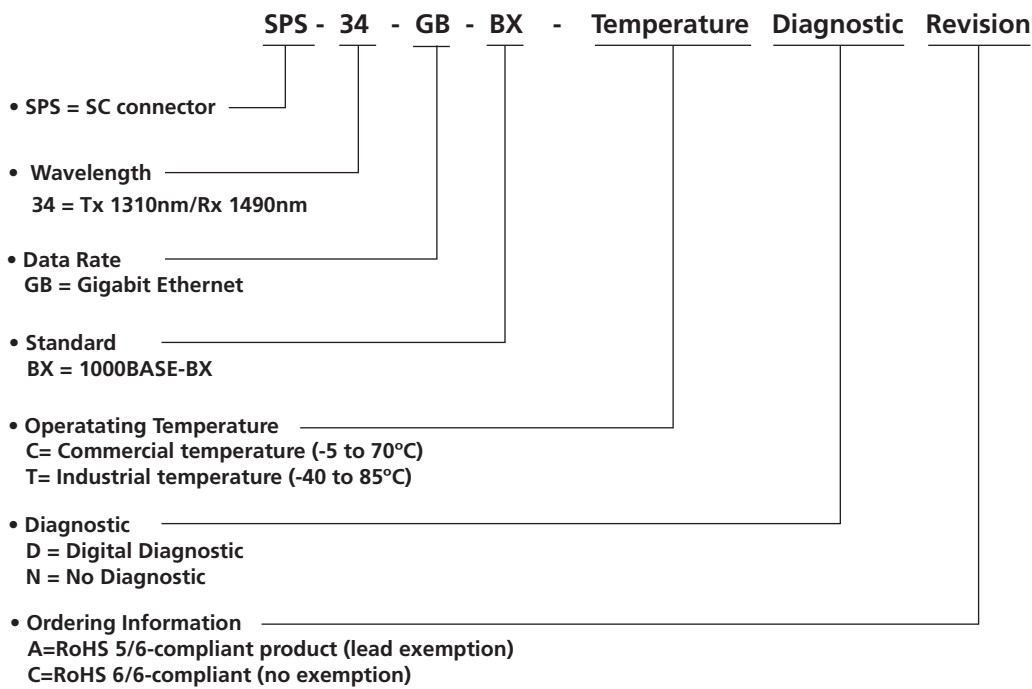
SPS-34-GB-BX

Ordering Information

Available Options:

SPS-34-GB-BX-CNA	SPS-34-GB-BX-CNC
SPS-34-GB-BX-CDA	SPS-34-GB-BX-CDC
SPS-34-GB-BX-TNA	SPS-34-GB-BX-TNC
SPS-34-GB-BX-TDA	SPS-34-GB-BX-TDC

Part Numbering Definition:



Warnings:

Handling Precautions: This device is susceptible to damage as a result of electrostatic discharge (ESD). A static free environment is highly recommended. Follow guidelines according to proper ESD procedures.

Laser Safety: Radiation emitted by laser devices can be dangerous to human eyes. Avoid eye exposure to direct or indirect radiation.

Legal Notes:**IMPORTANT NOTICE!**

All information contained in this document is subject to change without notice, at Luminent's sole and absolute discretion. Luminent warrants performance of its products to current specifications only in accordance with the company's standard one-year warranty; however, specifications designated as "preliminary" are given to describe components only, and Luminent expressly disclaims any and all warranties for said products, including express, implied, and statutory warranties, warranties of merchantability, fitness for a particular purpose, and non-infringement of proprietary rights. Please refer to the company's Terms and Conditions of Sale for further warranty information.

Luminent assumes no liability for applications assistance, customer product design, software performance, or infringement of patents, services, or intellectual property described herein. No license, either express or implied, is granted under any patent right, copyright, or intellectual property right, and Luminent makes no representations or warranties that the product(s) described herein are free from patent, copyright, or intellectual property rights. Products described in this document are NOT intended for use in implantation or other life support applications where malfunction may result in injury or death to persons. Luminent customers using or selling products for use in such applications do so at their own risk and agree to fully defend and indemnify Luminent for any damages resulting from such use or sale.

THE INFORMATION CONTAINED IN THIS DOCUMENT IS PROVIDED ON AN "AS IS" BASIS. Customer agrees that Luminent is not liable for any actual, consequential, exemplary, or other damages arising directly or indirectly from any use of the information contained in this document. Customer must contact Luminent to obtain the latest version of this publication to verify, before placing any order, that the information contained herein is current.

© Luminent, Inc. 2003
All rights reserved