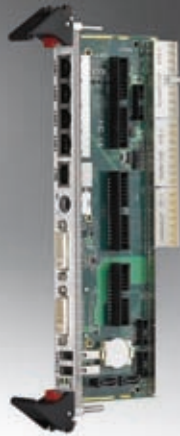


RIO-3392MIL

6U CompactPCI® Rear Transition Board for MIC-3392MIL

NEW



Features

- External rear-panel interface connectors for the MIC-3392MIL CPU board
- On-board battery
- Supports SATA, IDE, FDD, LPT, USB2.0, COM, and audio interfaces
- 4 RJ-45 ports on the rear-panel
- 2 DVI-I ports on the rear panel

Introduction

RIO-3392MIL is designed specifically for the MIC-3392MIL series. It contains a rich variety of I/O interfaces and ports on the external rear panel, extending the functional features of MIC-3392MIL.

Specifications

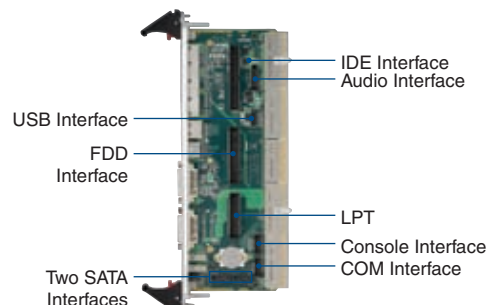
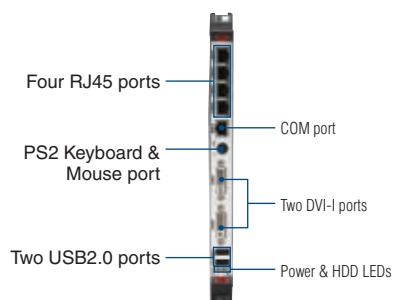
CompactPCI Connector	J3/J4/J5			
Environment	Operating Temperature	-40 ~ 70° C (-40 ~ 158° F)	Non-Operating Temperature	-50 ~ 80° C (-58 ~ 176° F)
	Humidity	5 ~ 85 % @ 45° C, non-condensing		10 ~ 95 % @ 45° C, non-condensing
	Physical Characteristics	Dimensions (W x D)	233.35 mm x 80 mm (9.2" x 1.5"), 1-slot width	
	Weight	0.305 kg (0.672 lbs)		

Recommended Configurations

Rear I/O Board	CPU Board	Enclosure
RIO-3392MIL-AxE Series	MIC-3392MILS-PxE Series	MIC-3039-BE, MIC-3042A/B, MIC-3043A/B/C/D, MIC-3056A, MIC-3081B
RIO-3392MIL-AxE Series	MIC-3392MILC-PxE Series	Customized conduction cool enclosure

Ordering Information

RTM Model Number	Rear Panel					On-board Header/Socket/Connector							CPCI Conn.	Conformal Coating
	LAN	COM	DVI-I	PS2	USB	IDE	FDD	LPT	SATA	COM Interface	Console Interface	USB Interface		
RIO-3392MIL-A1E	4	1	2	1	2	1	1	1	2	1	1	2	J3 ~ J5	-
RIO-3392MIL-A2E	4	1	2	1	2	1	1	1	2	1	1	2	J3 ~ J5	v



Note: final production will not contain J1 and J2 connectors.