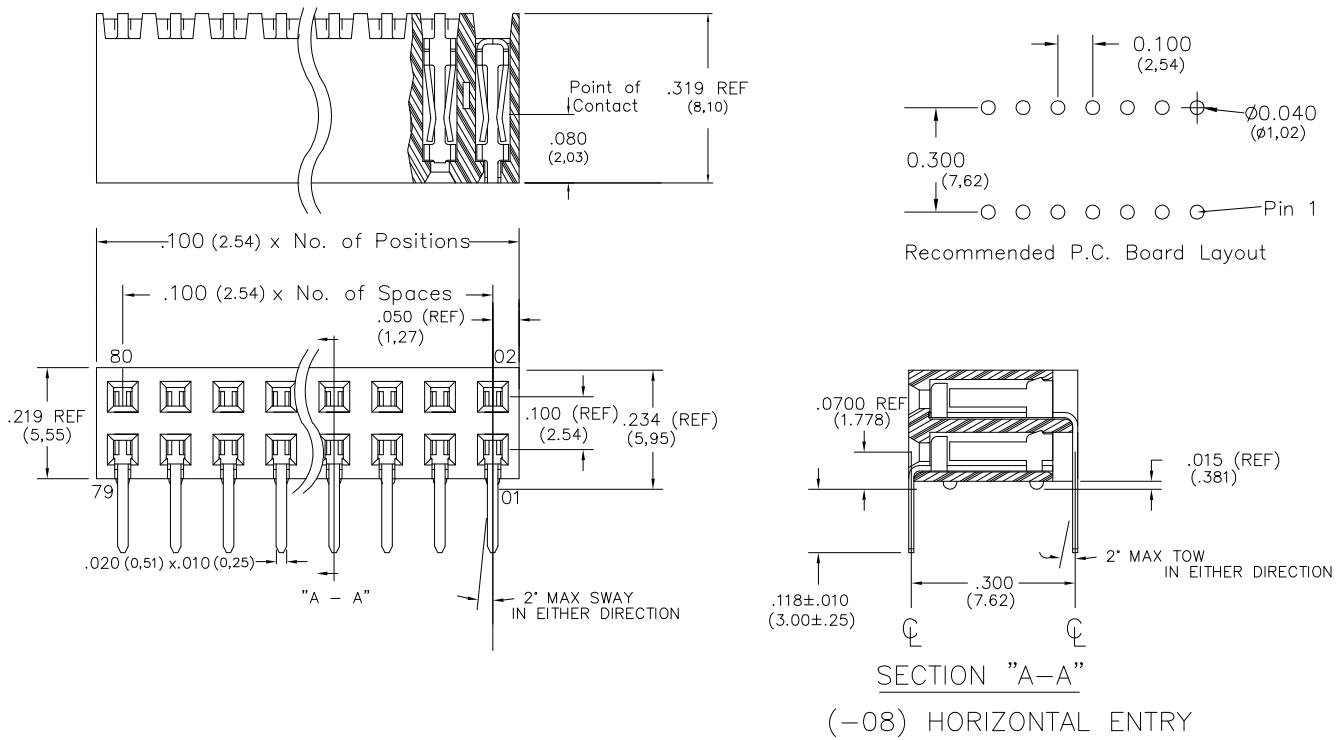


# Major League Electronics .100 cl Box Connector Socket Strip - Horizontal



Tails may be clipped to achieve desired pin length

## Ordering Information

BCSS-1  - D - 08 -  -  - LF

Pins Per Row  
01 - 40

Row Specification  
D = Double

Horizontal Entry

Lead Free

Polarized Position  
Leave blank if not needed  
If required, specify empty pin position, e.g. 012 for Pin 12

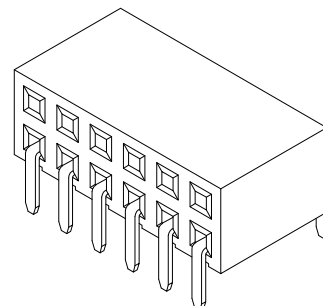
Plating Options	
H	- 30μ Gold on Contact Area / Matte Tin on Tail
T	- Matte Tin All Over
GT	- 10μ Gold on Contact Area / Matte Tin on Tail
F	- Gold Flash over Entire Pin
G	- 10μ Gold on Contact area / Flash on Tail

## Specifications

- Insertion Depth: .145 (3,68) to .250 (6,35)
- Insertion Force - Per Contact - H Plating:  
5oz. (1,39N) avg with .025 (0,64mm) sq. pin
- Withdrawal Force - Per Contact - H Plating:  
3oz. (0,83N) avg with .025 (0,64mm) sq. pin
- Current Rating: 3.0 Ampere
- Insulation Resistance: 5000MΩ Min.
- Dielectric Withstanding: 500V AC
- Contact Resistance: 20 mΩ Max.
- Operating Temperature: -40°C to + 105°C
- Max. Process Temperature:  
Peak: 260°C up to 20 secs.  
Process: 230°C up to 60 secs.  
Wave: 260°C up to 6 secs.  
Manual Solder: 350°C up to 5 secs.

## Materials

- Contact Material: Phosphor Bronze
- Insulator Material: Nylon 6T
- Plating: Au or Sn over 50μ" (1,27) Ni



## Mates with:

- BSTC, TSHCR,
- BSTCM, TSHCRE,
- BSTCR, TSHCRSM,
- BSTCRSM, TSHR,
- BSTS, TSHRE,
- LBSTCM, TSHS,
- LTSHCR, TSHSCM,
- LTSHCRE, TSHSM,
- LTSHR, ULTSHSM,
- LTSHRE, ULTSHC,
- LTSHSM, ULTSHCR
- TSHC,

Products cut to specific sizes are uncancellable/nonreturnable

Parts are subject to change without notice

**BCSS-1-DH SERIES**

.100 cl Dual Row  
Box Connector Socket Strip - Horizontal

**12 JAN 07**

Scale  
NTS

UNLESS OTHERWISE SPECIFIED  
DIMENSIONS IN INCHES (MM)  
TOLERANCES ARE:

ONE PLACE DECIMALS ±.100  
TWO PLACE DECIMALS ±.010  
THREE PLACE DECIMALS ±.005  
FOUR PLACE DECIMALS ±.0020

ANGLES  
±.5°



4235 Earnings Way, New Albany, Indiana, 47150, USA  
1-800-782-3486 (USA/Canada/Mexico)  
Tel: 812-944-7244  
Fax: 812-944-7268  
E-mail: mle@mlelectronics.com  
Web: www.mlelectronics.com

Edition  
B

Sheet  
1/2

# Revisions

Revision B - (26th Jan 2010)

Pin dimension changed from 0.028 x 0.010 to 0.020 x 0.010

BCSS-1-DH SERIES

.100 cl Dual Row  
Box Connector Socket Strip - Horizontal

12 JAN 07

Scale  
NTS

UNLESS OTHERWISE SPECIFIED  
DIMENSIONS IN INCHES (MM)  
TOLERANCES ARE:

ONE PLACE DECIMALS ±.100  
TWO PLACE DECIMALS ±.010  
THREE PLACE DECIMALS ±.005  
FOUR PLACE DECIMALS ±.0020

ANGLES  
±3°



4235 Earnings Way, New Albany, Indiana, 47150, USA  
1-800-782-3486 (USA/Canada/Mexico)

Tel: 812-944-7244  
Fax: 812-944-7268

E-mail: [mle@mlelectronics.com](mailto:mle@mlelectronics.com)  
Web: [www.mlelectronics.com](http://www.mlelectronics.com)

Revision  
B

Sheet  
2/2