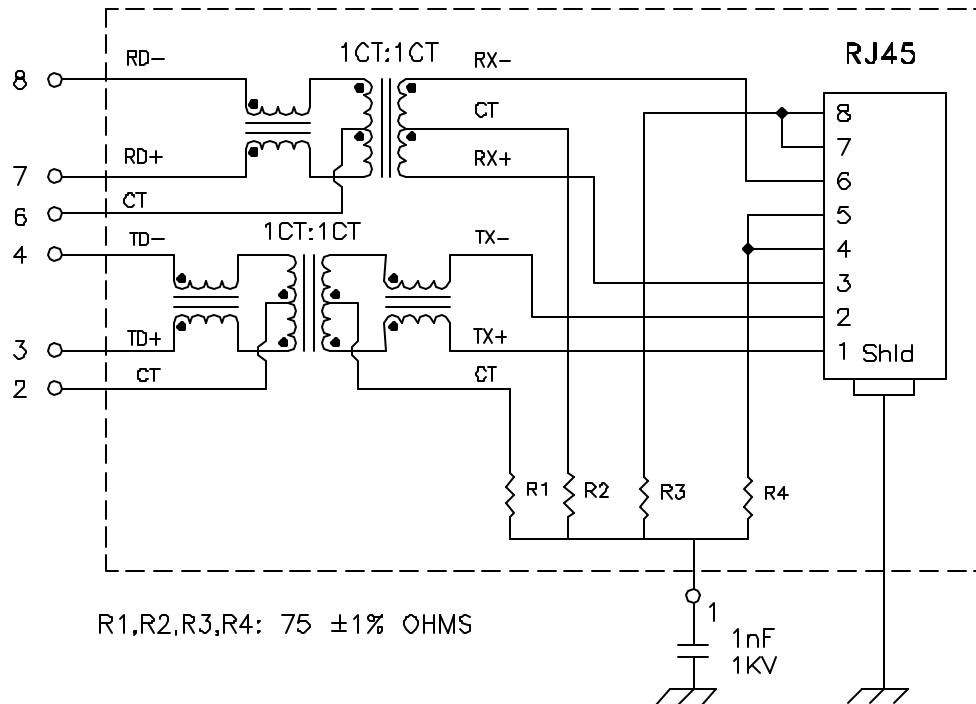


Schematic: (ONE OF FOUR)



Electrical Specifications: @25°C

Isolation Voltage: 1500Vrms(INPUT to OUTPUT), 500Vrms(TD to RD)

UTP SIDE OCL. 350uH Min @100KHz 100mV 8mADC

Rise Time (10-90%): 2.5ns Typical

Insertion Loss (300KHz-100MHz): -1.1dB Maximum

Insertion Loss (100MHz-125MHz): -1.5dB Maximum

Return Loss: -18dB Min. @30MHz

-12dB Min. @80MHz

Crosstalk:

100KHz-60MHz -40dB Typical

60MHz-100MHz -38dB Typical

Common Mode to Differential Mode Rejection:

100KHz-60MHz -45dB Typ (Tx) / -40dB Typ (Rx)

60MHz-100MHz -40dB Typ (Tx) / -35dB Typ (Rx)

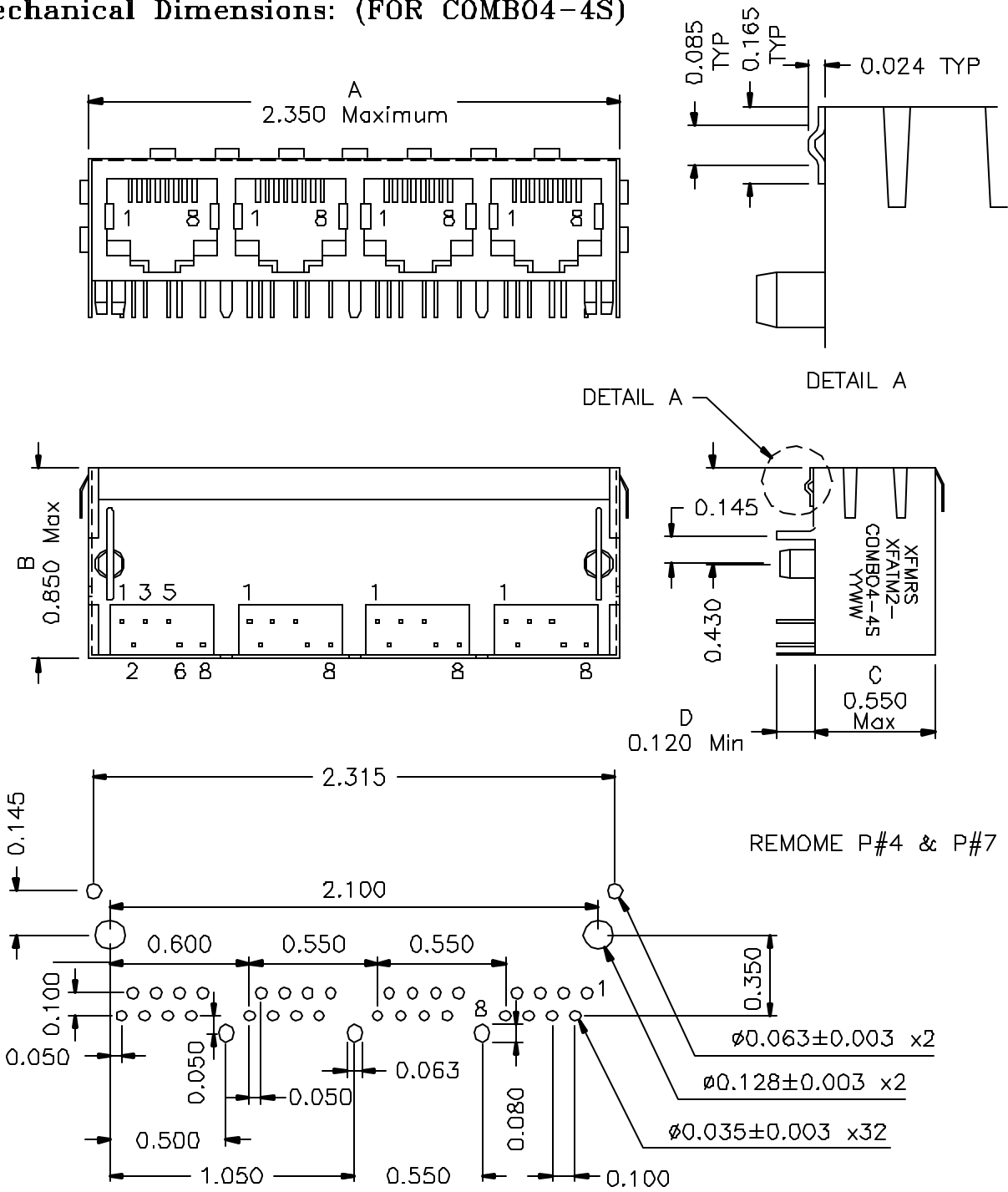
Note.

1. Solderability: Leads shall meet MIL-STD-202, Method 208D for solderability.
2. Flammability: UL94V-0,
3. ASTM oxygen index: > 28% ,
4. Temperature rating: 155°C. UL file E151556,
5. Operating Temperature Range. All listed parameters are to be within tolerance from -40°C to +85°C

DOC. REV A/1

| | | |
|---|---|-----------|
| XFMRs Inc. UNLESS OTHERWISE SPECIFIED TOLERANCES: .xxx ±0.010 Dimensions in Inch SHEET 1 OF 1 | Title: FOUR PORTS COMBO | |
| | P/N: XFATM2-COMBO4-4S | REV: A |
| | DWN. 廖玉坤 | Dec-06-00 |
| | CHK. 李清儿 | Dec-06-00 |
| APP. BW | Dec-06-00 | |

Mechanical Dimensions: (FOR COMB04-4S)



SUGGESTED MOUNTING PATTERN

DOC. REV A/1

| | | | |
|--|---|-----|-----------|
| XFMR2 Inc. | Title: Mechanical Dimensions For COMB04-4S Series | | |
| UNLESS OTHERWISE SPECIFIED TOLERANCES: .xxx ±0.010 Dimensions in Inch SHEET 2 OF 2 | P/N: XFATM2-COMB04-4S | | REV: A |
| | DWN. | 廖玉坤 | Dec-06-00 |
| | CHK. | 李清儿 | Dec-06-00 |
| | APP. | BW | Dec-06-00 |