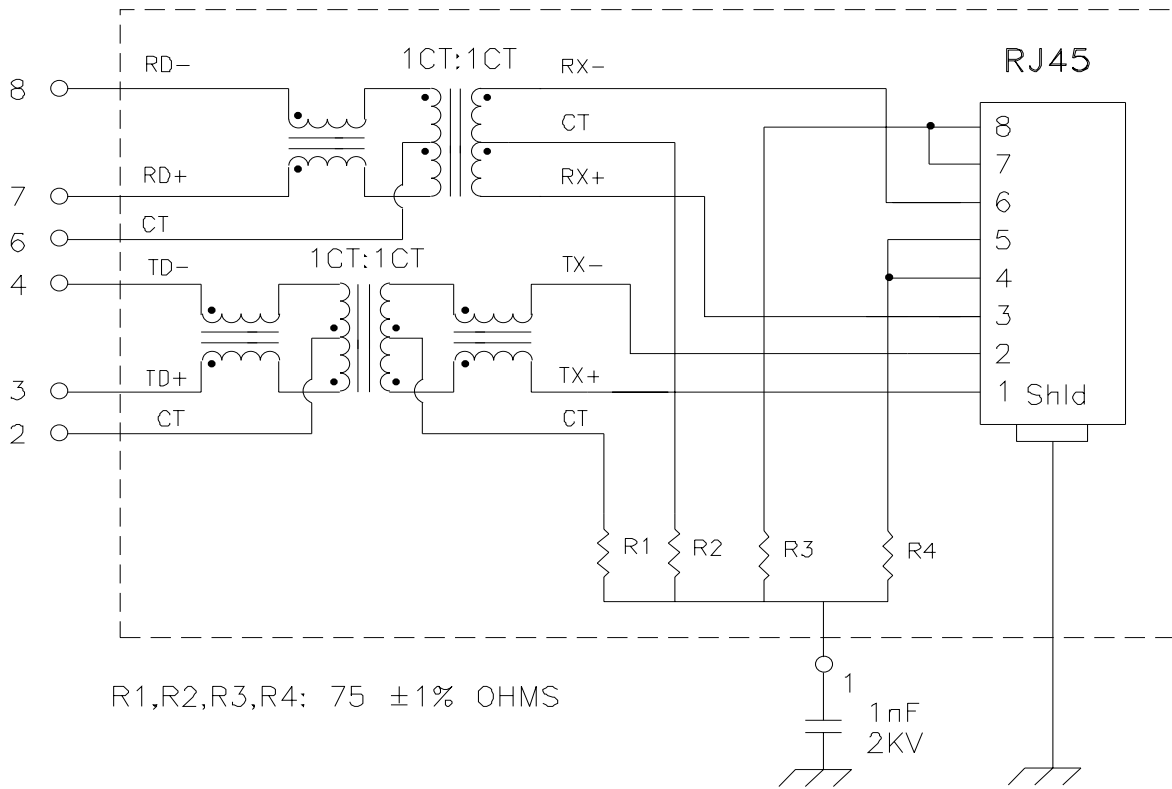


**Schematic:** (One of Four)



**Electrical Specifications: @25°C**

Isolation Voltage: 1500Vrms(INPUT to OUTPUT), 500Vrms(TD to RD)

UTP SIDE OCL: 350uH Min @100KHz 100mV 8mADC

Rise Time (10-90%): 2.5ns Typical

Insertion Loss (300KHz-100MHz): -1.1dB Maximum

Insertion Loss (100MHz-125MHz): -1.5dB Maximum

Return Loss: -20dB Min. @30MHz

-15dB Min. @80MHz

Crosstalk:

100KHz-60MHz -40dB Typical

60MHz-100MHz -38dB Typical

Common Mode to Differential Mode Rejection:

100KHz-60MHz -45dB Typ (Tx) / -40dB Typ (Rx)

60MHz-100MHz -40dB Typ (Tx) / -35dB Typ (Rx)

**XFMRs Inc.**

Title: **QUAD PORT COMBO**

UNLESS OTHERWISE SPECIFIED

P/N: XFATM2-COMBO4-4

REV. A

TOLERANCES:  
.xxx ±0.010

DWN.

廖玉坤

Sep-10-99

Dimensions in Inch

CHK.

李清儿

Sep-10-99

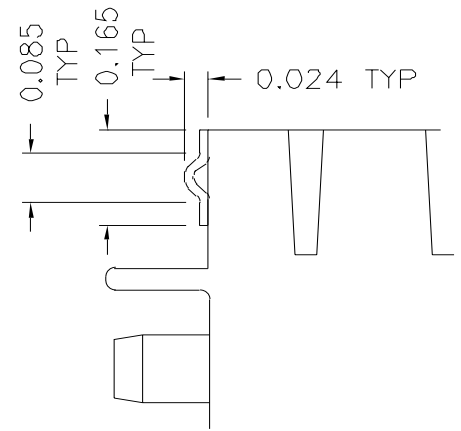
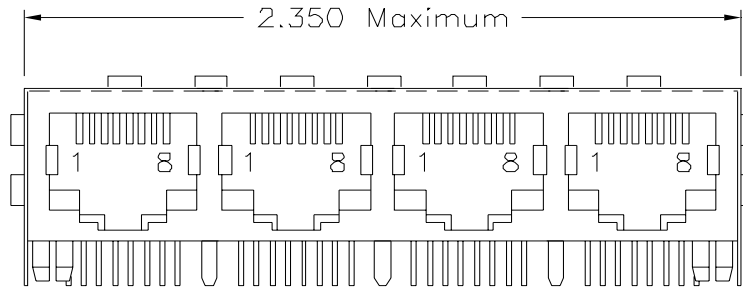
SHEET 1 OF 1

APP.

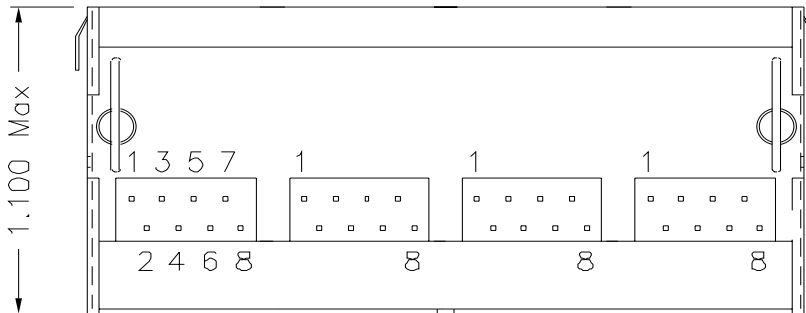
Joe Huff

Sep-10-99

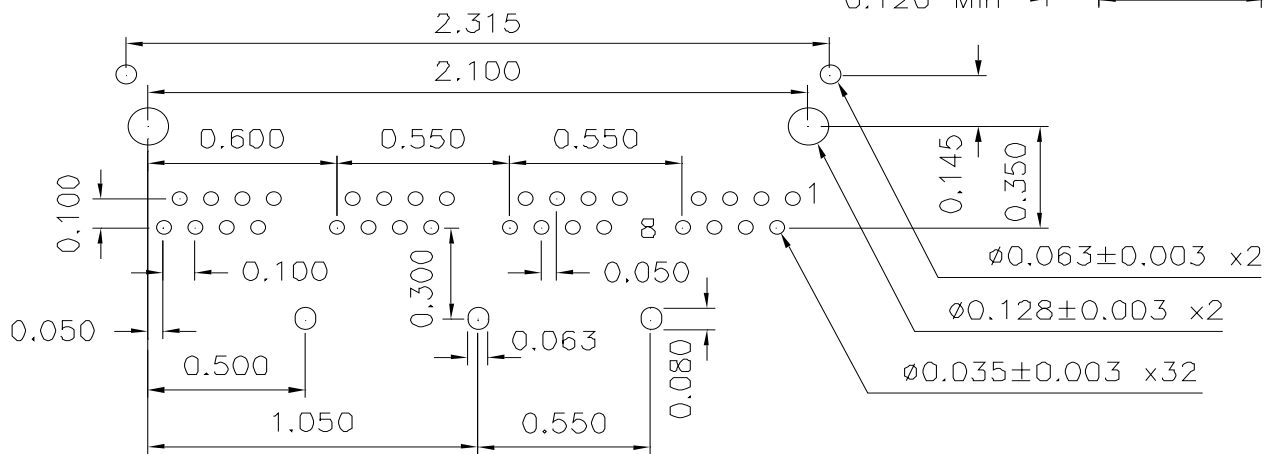
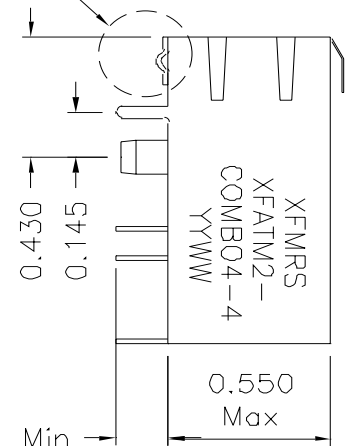
# Mechanical Dimensions: (FOR COMB04-4)



DETAIL A



DETAIL A



SUGGESTED MOUNTING PATTERN

DOC. REV: A/1

<b>XFMRS Inc.</b> UNLESS OTHERWISE SPECIFIED TOLERANCES: .xxx ±0.010 Dimensions in Inch SHEET 2 OF 2	Title: Mechanical Dimensions For COMB04-4 Series	
	P/N: XFATM2-COMB04-4	REV. A
	DWN. 廖玉坤	Sep-10-99
	CHK. 李清儿	Sep-10-99
	APP. Joe Huff	Sep-10-99