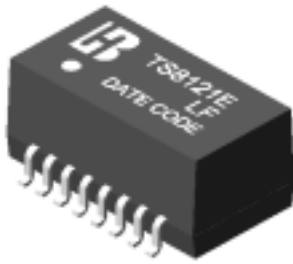




TS8121E LF

10/100 BASE-T TRANSFORMER
P/N:TS8121E LF DATA SHEET

Feature



- Designed to meet IEEE 802.3u requirement,including 350uH OCL with 8mA bias.
- Designed for reflow soldering at temperature up to 235 .
- Comply with RoHS requirements-whole part No Cd, No Hg, No Cr6+, No PBB and PBDE and No Pb on external pins.
- Comply with Air reflow profile of JEDEC 020C.
- Operating temperature range: 0 to +70 .
- Storage temperature range: -25 to +125 .

Electrical Specifications @ 25°C

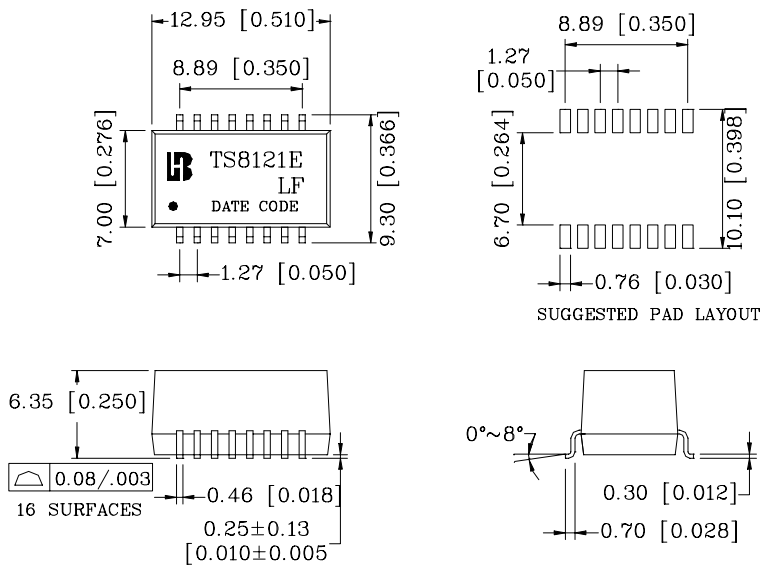
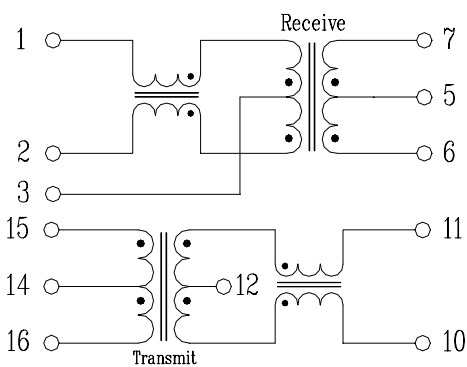
Part Number	Turns Ratio (±5%)	OCL (uH Min) @ 100 KHz/0.1V with 8mA DC Bias	L.L (μ H Max)	C _{www} (pF Max)	DCR (Max)		HI-POT (Vrms)
	TX/RX				6-7/15-16	1-2/10-11	
TS8121E LF	1CT: 1CT	350	0.5	28	0.9	1.1	1500

Continue

Part Number	Insertion Loss (dB Max)	Return Loss (dB Min)				Cross Talk (dB Min)		DCMR (dB Min)		
		0.3-100 MHz	0.3-30MHz	40MHz	50MHz	60-80MHz	0.3-60MHz	60-100MHz	30MHz	60MHz
TS8121E LF	-1.15	-18	-15.5	-13.0	-12	-45	-35	-40	-35	-30

Schematic

Mechanical



Units: mm[Inches] all Tolerance are : ±0.25[0.010]