



10/100 BASE PULSE TRANSFORMER

P/N: TS8121AZM LF DATA SHEET

Feature



- Designed to meet IEEE 802.3u requirement, including 350uH OCL with 8mA bias.
- Comply with RoHS requirements-whole part No Cd, No Hg, No Cr6+, No PBB and PBDE and No Pb on external pins.
- Comply with Air reflow profile of JEDEC 020C.
- Operating temperature range:-40 to +85 .
- Storage temperature range:-40 to +125 .

Electrical Specifications @ 25°C

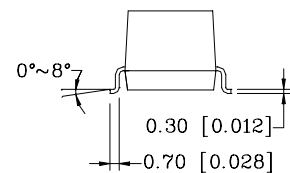
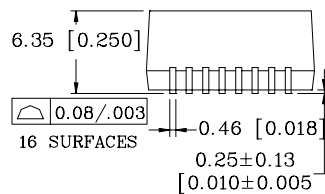
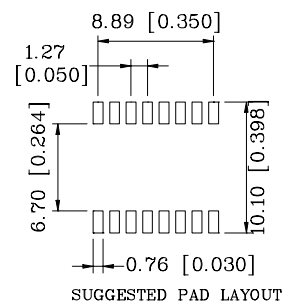
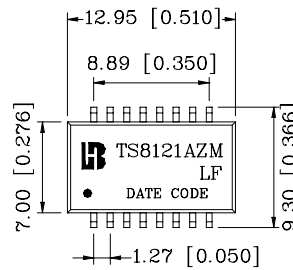
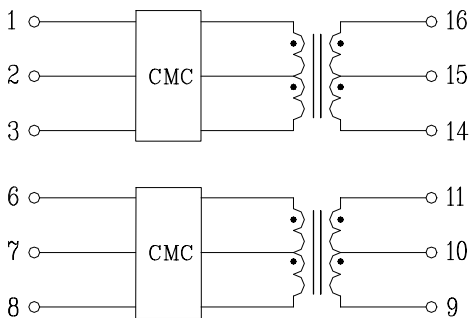
Part Number	Turns Ratio		OCL (uH Min) @100KHz/0.1V with 8mA DC Bias	C _{ww} (pF Max)	L.L (uH Max)	DCR (Max)		HI-POT (Vrms)
	1-3:16-14	6-8:11-9				1-3/6-8	16-14/11-9	
TS8121AZM LF	1CT:1CT	1CT:1CT	350	28	0.5	1.6	0.9	1500

Continue

Part Number	Insertion Loss (dB Max)	Return Loss (dB Min)			Cross talk (dB Min)		DCMR (dB Min)		
		0.3-100MHz	30MHz	60MHz	80MHz	0.3-60MHz	60-100MHz	30MHz	60MHz
TS8121AZM LF	-1.1	-14	-12	-10	-40	-35	-40	-35	-30

Schematic

Mechanical



Units: mm[Inches] all Tolerance are : ±0.25[0.010]