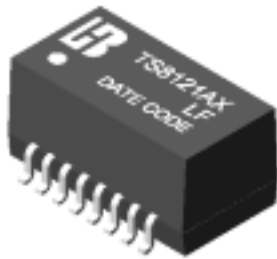




10/100 BASE-T ETHERNET ISOLATION TRANSFORMER

P/N: TS8121AX LF DATA SHEET

Feature



- Designed to meet IEEE 802.3u requirement, including 350uH OCL with 8mA bias.
- Comply with RoHS requirements-whole part No Cd, No Hg, No Cr6+, No PBB and PBDE and No Pb on external pins.
- Comply with Air reflow profile of JEDEC 020C.
- Operating temperature range: 0 to +70 .
- Storage temperature range: -25 to +125 .

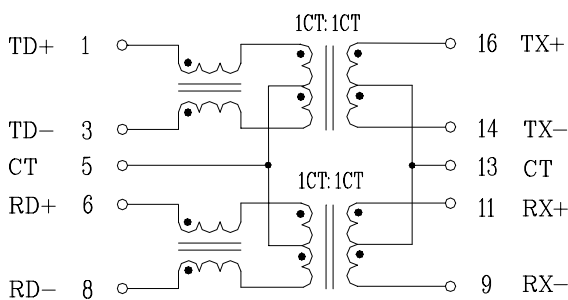
Electrical Specifications @ 25°C

Part Number	Turns Ratio (±5%)		OCL (uH Min) @100KHz/0.1V with 8mA DC Bias	L.L (uH Max)	C _{w/w} (pF Max)	HI-POT (Vrms)
	1-3:16-14	6-8:11-9				
TS8121AX LF	1CT:1CT	1CT:1CT	350	0.5	50	1500

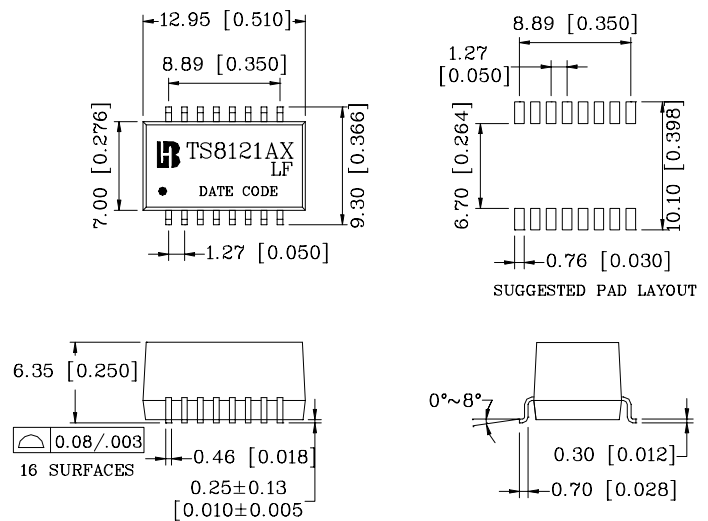
Continue

Part Number	Insertion Loss (dB Max)	Return Loss (dB Min)			Cross talk (dB Min)		DCMR (dB Min)		
		0.3-100MHz	30MHz	60MHz	80MHz	0.3-60MHz	60-100MHz	30MHz	60MHz
TS8121AX LF	-1.15	-18	-14	-12	-45	-35	-40	-35	-30

Schematic



Mechanical



Units: mm[Inches] all Tolerance are :±0.25[0.010]