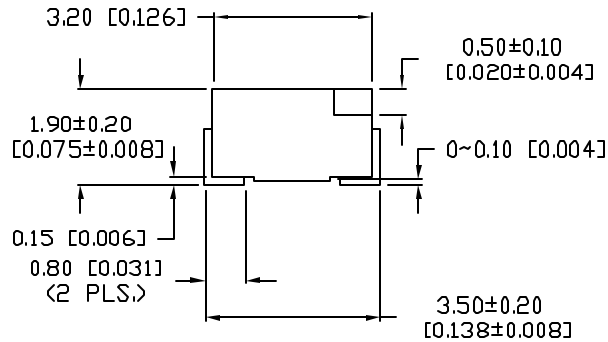
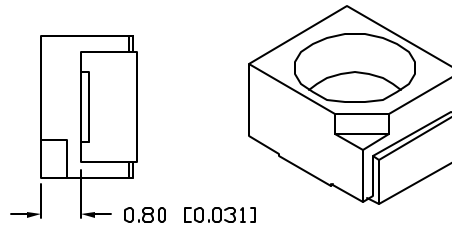
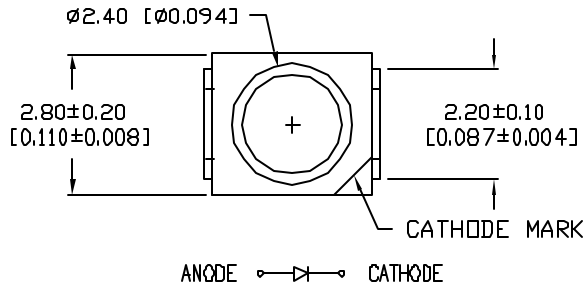
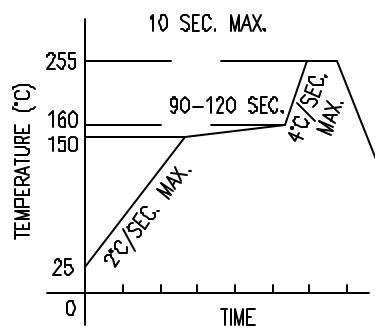


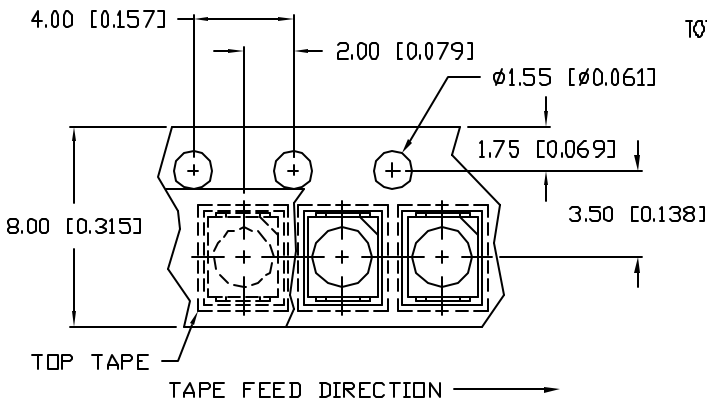
UNCONTROLLED DOCUMENT



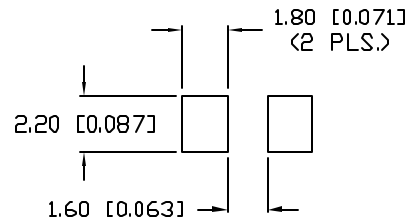
LEAD FREE REFLOW PROFILE



TOTAL TIME ABOVE 220°C IS 60 SECONDS MAX.



RECOMMENDED SOLDER PAD LAYOUT



REPLACES PART #: SML-LX2832LIC(-TR)

\*UNLESS OTHERWISE SPECIFIED TOLERANCES PER DECIMAL PRECISION ARE: X=±1 (±0.039), XX=±0.5 (±0.020), XXX=±0.25 (±0.010), XXXX=±0.127 (±0.006). LEAD SIZE=±0.05 (±0.002), LEAD LENGTH=±0.75 (±0.030), MIN.=<sup>+DECIMAL PRECISION</sup><sub>-0.00</sub>, MAX.=<sup>+0.00</sup><sub>-DECIMAL PRECISION</sub>

PART NUMBER  
SML-LX2832LIC-TR

REV.  
B

| REV. | E.C.N. NUMBER AND REVISION COMMENTS | DATE    |
|------|-------------------------------------|---------|
| A    | E.C.N. #10967.                      | 3.14.03 |
| B    | E.C.N. #11148.                      | 2.8.05  |

ELECTRO-OPTICAL CHARACTERISTICS TA=25°C If=20mA

| PARAMETER          | MIN         | TYP | MAX | UNITS    | TEST COND |
|--------------------|-------------|-----|-----|----------|-----------|
| PEAK WAVELENGTH    |             | 635 |     | nm       |           |
| FORWARD VOLTAGE    |             | 2.0 | 2.5 | Vf       |           |
| REVERSE VOLTAGE    | 5.0         |     |     | Vr       | If=100µA  |
| AXIAL INTENSITY    |             | 25  |     | cd       | If=20mA   |
| VIEWING ANGLE      |             | 120 |     | 2x theta | If=2mA    |
| EMITTED COLOR:     | RED         |     |     |          |           |
| EPOXY LENS FINISH: | WATER CLEAR |     |     |          |           |

LIMITS OF SAFE OPERATION AT 25°C

| PARAMETER             | MAX        | UNITS |
|-----------------------|------------|-------|
| PEAK FORWARD CURRENT* | 160        | mA    |
| STEADY CURRENT        | 30         | mA    |
| POWER DISSIPATION     | 100        | mW    |
| DERATE FROM 25°C      | -1.2       | mW/°C |
| OPERATING TEMP.       | -30 TO +85 | °C    |
| STORAGE TEMP.         | -40 TO +85 | °C    |

\* t<10µs

NOTES:

- THE POLARITY MARK IS ORIENTED TOWARDS THE TAPE SPROCKET HOLE.



CAUTION: MOISTURE SENSITIVE DEVICE  
PER JEDEC LEVEL 4 STANDARDS

UNCONTROLLED DOCUMENT

REV. B PART NUMBER SML-LX2832LIC-TR

CONFIDENTIAL INFORMATION  
THE INFORMATION CONTAINED IN THIS DOCUMENT IS THE PROPERTY OF LUMEX INC. EXCEPT AS SPECIFICALLY AUTHORIZED IN WRITING BY LUMEX INC, THE HOLDER OF THIS DOCUMENT SHALL KEEP ALL INFORMATION CONTAINED HEREIN CONFIDENTIAL AND SHALL PROTECT SAME IN WHOLE OR IN PART FROM DISCLOSURE AND DISSEMINATION TO ALL THIRD PARTIES.



290 E. HELEN ROAD  
PALATINE, IL 60067-6976  
PHONE: +1.847.359.2790  
US WEB: www.lumex.com  
TW WEB: www.lumex.com.tw

2.8mm x 3.2mm SURFACE MOUNT LED WITH REFLECTOR,  
635nm RED LED, WATER CLEAR LENS,  
LOW CURRENT, 2K PER TAPE AND REEL.

RELIABILITY NOTE  
OUR MANY YEARS OF EXPERIENCE DATA ACCUMULATION INDICATE THAT SOLDER HEAT IS A MAJOR CAUSE OF EARLY AND FUTURE FAILURE. PLEASE PAY ATTENTION TO YOUR SOLDERING PROCESS.

|              |             |              |               |
|--------------|-------------|--------------|---------------|
| DRAWN BY: BC | CHECKED BY: | APPROVED BY: | DATE: 1.11.01 |
|              |             |              | PAGE: 1 OF 1  |
|              |             |              | SCALE: N/A    |