

SMD Choke Coils

Series: **S**
 Type: **ELL5PS**



Type ELL5PS

■ Features

- Magnetically shielded structure
- Low DC resistance and large current capability

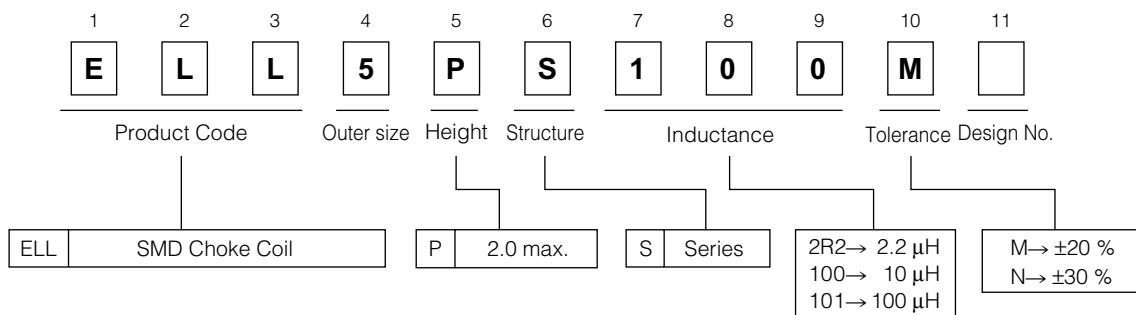
■ Recommended Applications

- DC-DC converter circuitry for computer peripherals and cellular phones.
- Chopper circuit decoupling chokes for DC-DC converter circuitry

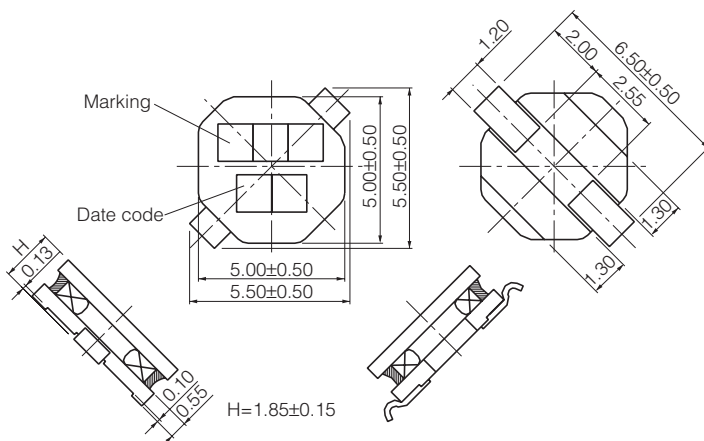
■ Standard Packing Quantity

- 2000 pcs./Reel

■ Explanation of Part Numbers



■ Dimensions in mm (not to scale)



■ Recommended Land Pattern in mm (not to scale)

