

SPECIFICATIONS

Electrical Ratings	3A @ 120VAC, 28VDC; 1.5A @ 250VAC See contact options
Electrical Life	30,000 cycles typical
Contact Resistance	< 20 mΩ max initial @ 2-4VDC, 100mA
Dielectric Strength	1000Vrms min
Insulation Resistance	> 1,000MΩ min
Operating Temperature	-40°C to 85°C
Storage Temperature	-40°C to 85°C



Process Sealed
UL US - E222871


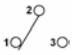

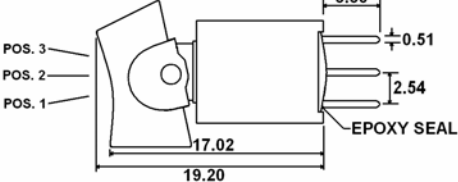
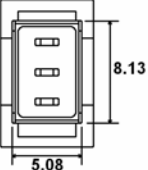
MATERIALS ←RoHS COMPLIANT


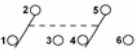

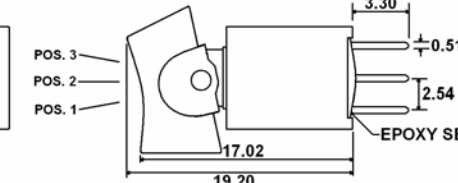
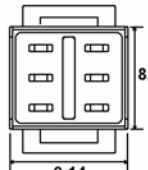
Actuator	6/6 Nylon, Glass Filled, Flame Retardant Heat Stabilized, UL94V-0
Housing	6/6 Nylon, Glass Filled, Flame Retardant Heat Stabilized, UL94V-0
Support Bracket	Brass, Tin Plated
Contacts	Copper Alloy, Silver Plated
Terminals	Copper Alloy, Silver Plated

ORDERING INFORMATION

Series:	BSR	1	3	R1	2			C	Q
<p>Number of Poles: 1 = SPDT 2 = DPDT</p> <p>Switch Function: 1 = ON-NONE-ON 2 = ON-NONE-(ON) 3 = ON-OFF-ON 4 = (ON)-OFF-(ON) ** Only available in SPDT 5 = ON-OFF-(ON) ** Only available in SPDT</p> <p>Actuator: R1 = Rocker, PC Mount R2 = Rocker, PC Mount</p> <p>Actuator Color: 1 = White 2 = Black 3 = Red</p> <p>Actuator Marking Style: Blank = No Marking A B C</p> <p>Actuator Marking Color: Blank = No Marking W = White (Standard) B = Black</p> <p>Terminals: C = PC Pin H = Horizontal Mount, Right Angle PC Pin; <i>HS</i> = Snap-in V = Vertical Mount, Right Angle PC Pin; <i>VS</i> = Snap-in A5 = PC Pin with Support Bracket; <i>A5S</i> = Snap-in Support Bracket</p> <p>Contacts: Q = Silver Plated R = Gold Plated G = Gold over Silver Plated</p>									

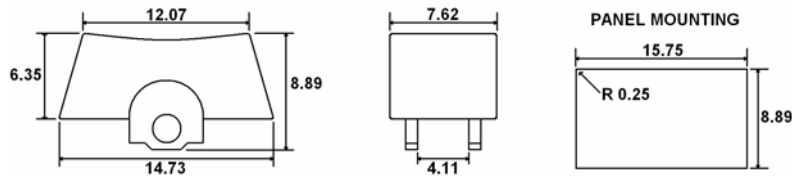
SWITCH FUNCTION

 SPDT 	Function	Toggle Position			 7.62	 POS. 3 POS. 2 POS. 1 3.30 0.51 2.54 EPOXY SEAL 17.02 19.20	 8.13 5.08
		1	ON	NONE			
	2	ON	NONE	(ON)			
	3	ON	OFF	ON			
	4	(ON)	OFF	(ON)			
	5	ON	OFF	(ON)			
Terminals	2-3	---	2-1				

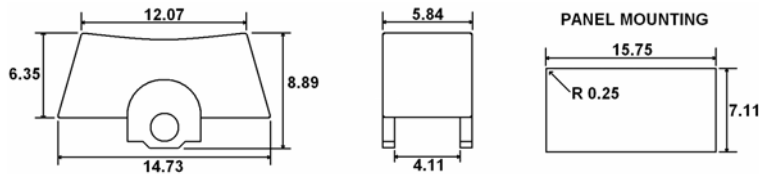
 DPDT 	Function	Toggle Position			 7.62	 POS. 3 POS. 2 POS. 1 3.30 0.51 2.54 EPOXY SEAL 17.02 19.20	 8.13 9.14
		1	ON	NONE			
	2	ON	NONE	(ON)			
	3	ON	OFF	ON			
Terminals	2-3	---	2-1				

ACTUATOR OPTIONS

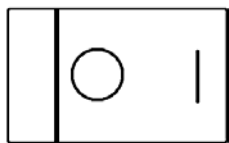
R1



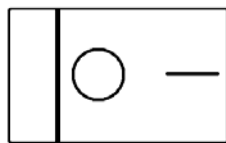
R2



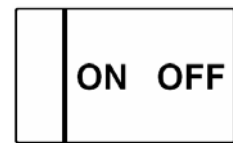
ACTUATOR MARKINGS



A

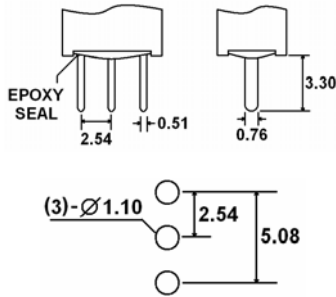


B

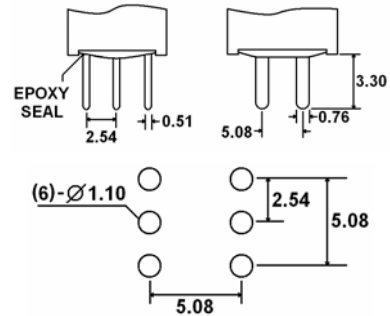


C

TERMINAL OPTIONS

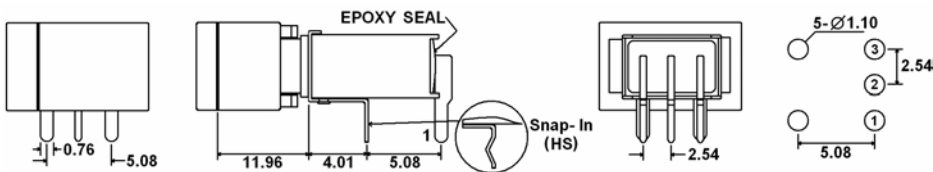


C – SPDT

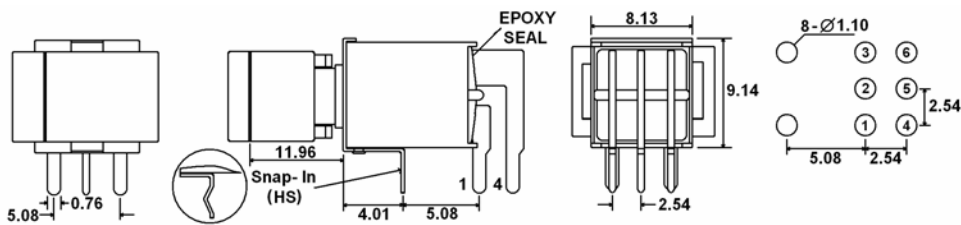


D – DPDT

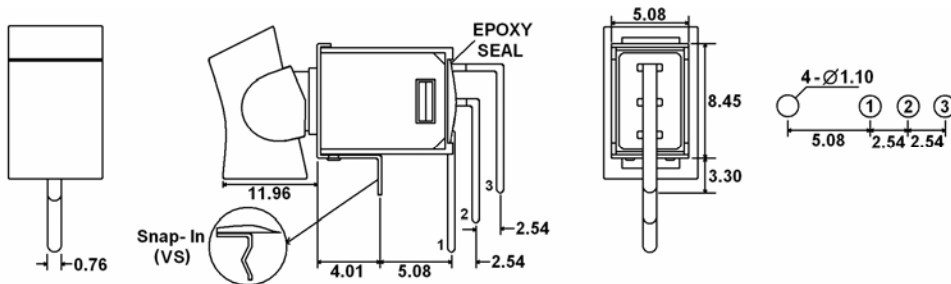
TERMINAL OPTIONS



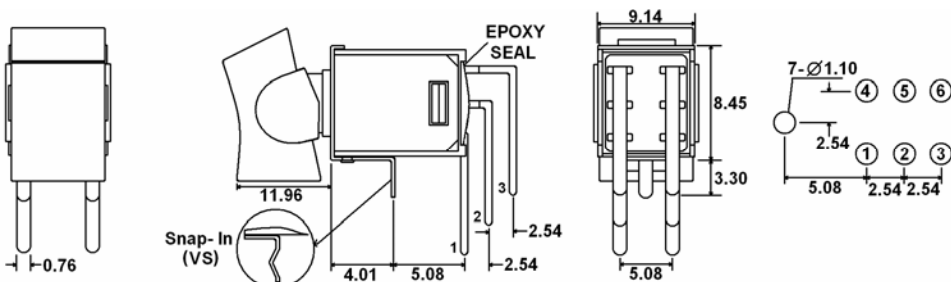
H (HS – Snap-in) = Horizontal Mount, Right Angle PC Pins (SPDT)



H (HS – Snap-in) = Horizontal Mount, Right Angle PC Pins (DPDT)

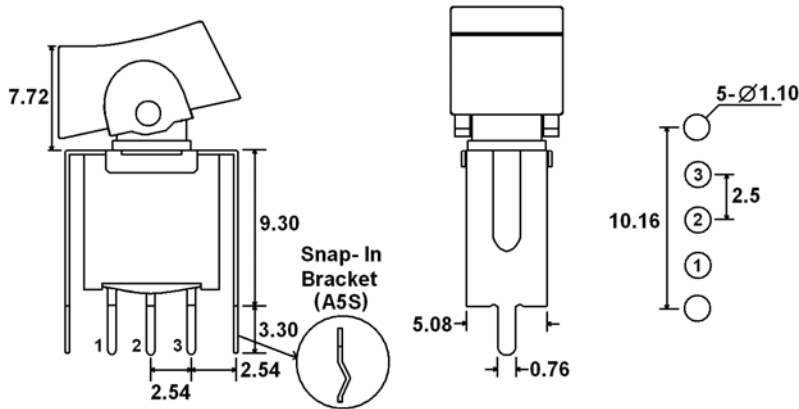


V (VS – Snap-in) = Vertical Mount, Right Angle PC Pins (SPDT)

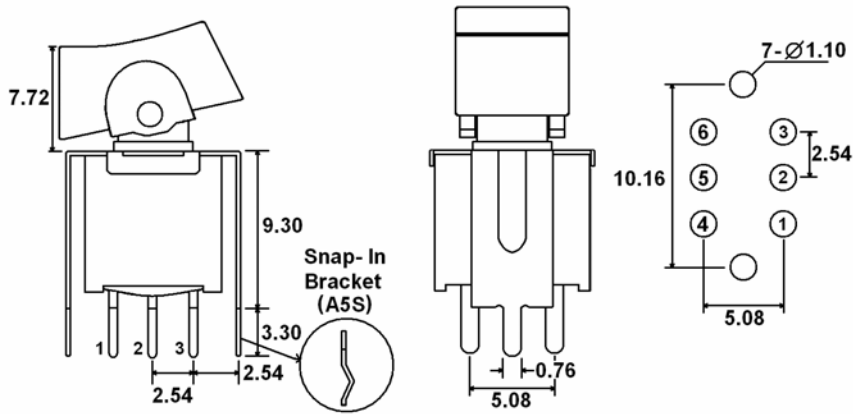


V (VS – Snap-in) = Vertical Mount, Right Angle PC Pins (DPDT)

TERMINAL OPTIONS



A5 (A5S – Snap-in Bracket) = PC Pins with Support Bracket (SPDT)



A5 (A5S – Snap-in Bracket) = PC Pins with Support Bracket (DPDT)

CONTACT OPTIONS

Designator	Contact Material	Terminal Material	Electrical Ratings
Q	Silver Plating	Silver Plating	3A @ 120VAC, 28VDC; 1.5A @ 250VAC
R	Gold over Nickel Plating	Gold over Nickel Plating	.4 VA max @ 20VAC or VDC max
G	Gold over Silver Plating	Gold over Silver Plating	.4 VA max @ 20VAC or VDC max or 3A @ 120VAC, 28VDC; 1.5A @ 250VAC