

**TITLE**  
**TRANSFORMER, ADSL**  
**CENTRAL OFFICE**

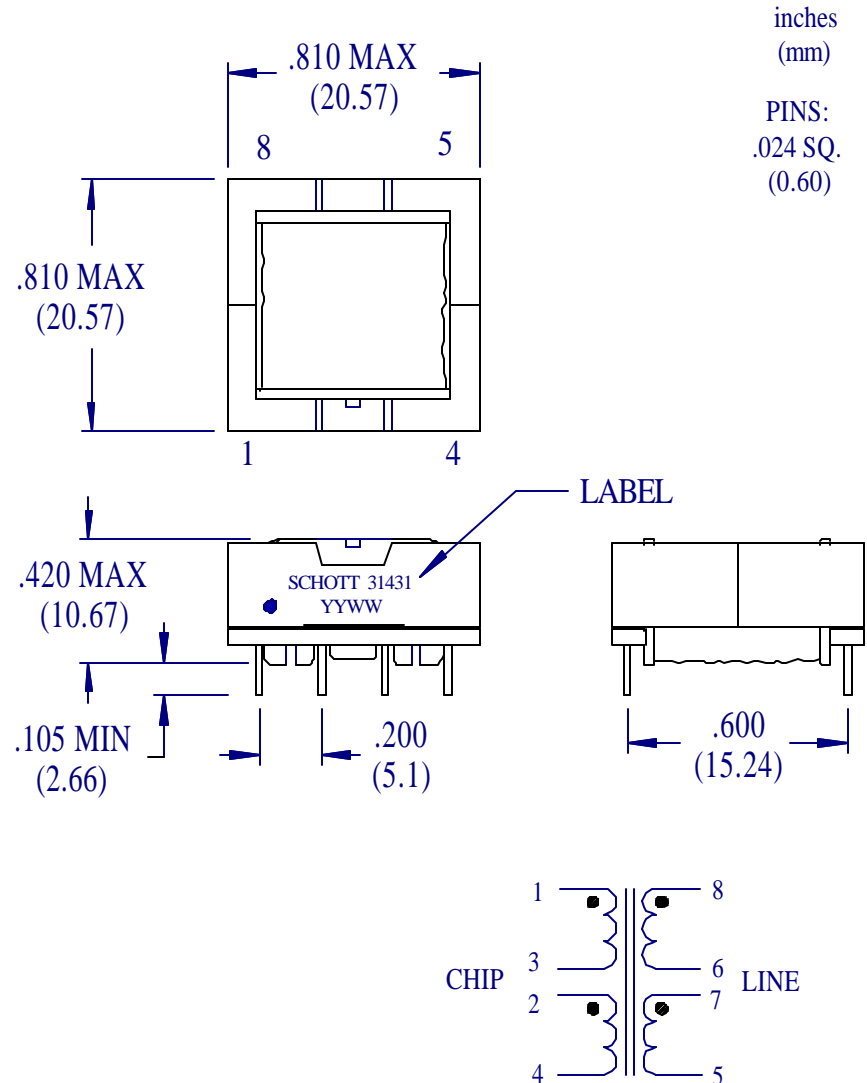
**SCHOTT**  
 CORPORATION  
 1000 PARKERS LAKE ROAD  
 WAYZATA, MN 55391

PART NUMBER  
**31431**  
 REV 2 PAGE 1 END  
 12-16-98

**SPECIFICATIONS**

TEMPERATURE CLASS 130°C

1. INDUCTANCE: @ 0.1Vrms, 10 KHz  
 1-3-2-4 = 853.2 TO 1042.8 μH
2. LEAKAGE INDUCTANCE: @ 0.1Vrms, 100 KHz  
 1-3-2-4 W/ 8-6-7-5 SHORTED = 10 μH MAX
3. IWC: @ 0.1Vrms, 100 KHz,  
 1-3-2-4 TO 8-6-7-5 = 25 pF MAX
4. TURNS RATIO: 1-3 : 2-4 : 8-6 : 7-5 = 1.40 : 1.40 : 1 : 1 ± 2%
5. DC RESISTANCE: OHMS MAX  
 1-3, 2-4 = 0.60  
 8-6, 7-5 = 0.50
6. LONGITUDINAL BALANCE:  
 @ 100 KHz , 100 OHM = -60 dB MIN
7. DIELECTRIC STRENGTH: 1500Vrms, 1 minute  
 (1800 Vrms 1 second Schott production test)  
 1-2-3-4 TO 5-6-7-8  
 ALL WINDINGS TO CORE
8. HARMONIC DISTORTION:  
 @ 100 KHz, 15 Vp-p, 100 OHM = -80 dB MIN



TOLERANCES	2 PLACE	3 PLACE	ANGLE
UNLESS OTHERWISE NOTED	+ .02	+ .005	+ °