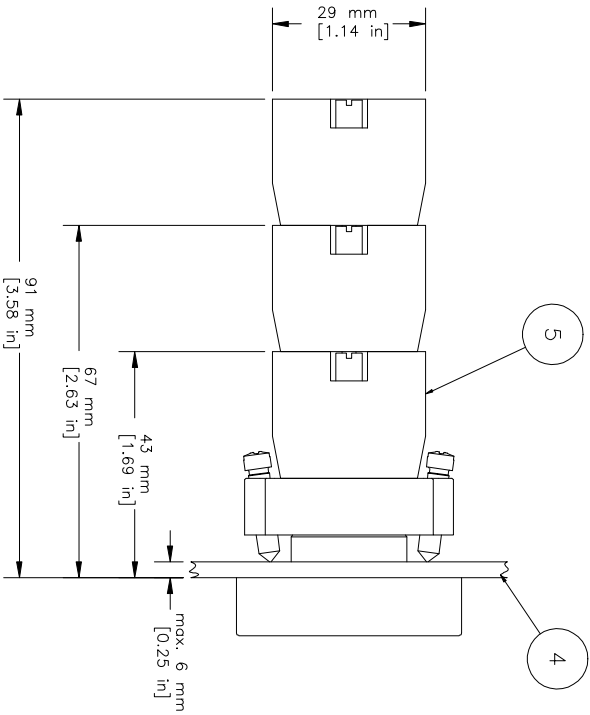
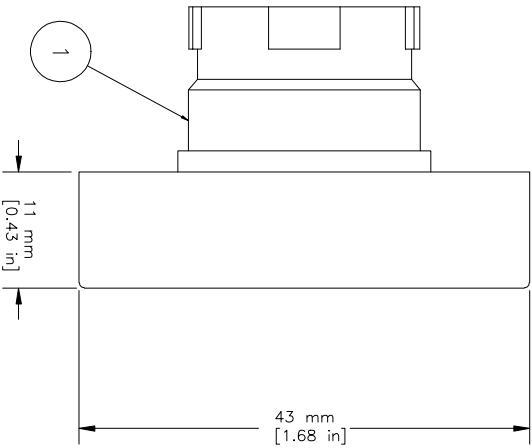
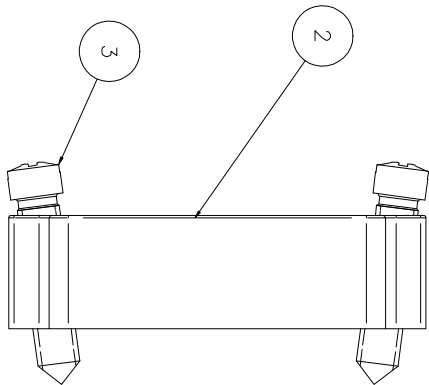
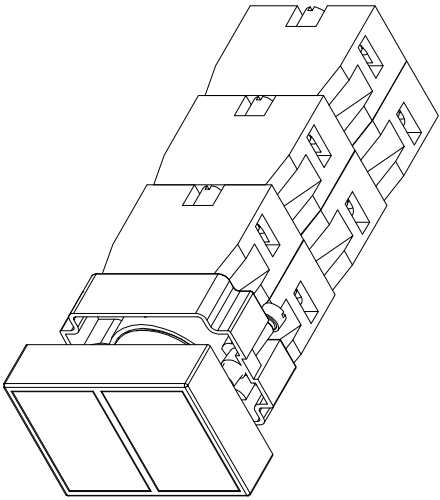


REVISIONS FOR DWG # 1PB-2ATFX-FX			
REV. CH. NO.	DESCRIPTION	DATE	REVISED BY
-	ORIGINAL DESIGN	10/25/07	Phil E.



ITEM	DESCRIPTION	CAT. NO.	COLOR	MIN. QTY.	MAX. QTY.
1	Twin Touch/ Not marked, flush (comes with 2BRK)	2ATF3-F4 2ATF8-F2 2ATF1-F1	Green-Red Yellow-Black White-Black	1 1 1	1 1 1
2	Mounting Bracket	2BRK	-	1	1
3	Mounting Bracket Screws	incl. in 2BRK	-	2	2
4	Panel	S1 S2 S3 S4	Green Red Green/Gray Red/Gray	1 1 1 1	6 6 6 6
5	Switch Contacts				

TITLE: 22mm Twin Touch Metal Non-Illuminated Operators Flush 2ATFX-Fy (x=color)

UNLESS OTHERWISE SPECIFIED  
 • ALL DIMENSIONS ARE IN MILLIMETERS  
 • THIRD ANGLE PROJECTION

TOLERANCE  
 XX ±1 mm  
 XX X ±0.5 mm  
 XX.XX ±0.2 mm  
 ALL - mm

AND IS A CONFIDENTIAL DISCLOSURE  
 LENT WITHOUT CONSIDERATION OTHER  
 THAN THE BORROWER'S AGREEMENT  
 THAT IT SHALL NOT BE REPRODUCED,  
 COPIED, LENT, OR DISPOSED OF  
 DIRECTLY OR INDIRECTLY NOR USED  
 FOR ANY PURPOSE OTHER THAN THAT  
 FOR WHICH IT IS SPECIFICALLY  
 FURNISHED.

DRAWN BY: Philipp Ernstberger  
 CHECKED BY: Laszlo Gyorgypal  
 RELEASED BY: Laszlo Gyorgypal

DRAWING NO.: 1PB-2ATFX-FX  
 SCALE: -  
 SHEET: 1 OF: 1

REV: -

This Drawing is the property of  
**Attech Corp.**  
 35 Royal Road  
 Flemington NJ 08822-6000  
 (908) 806-9400 • Fax (908) 806-9490

M-H-R-C