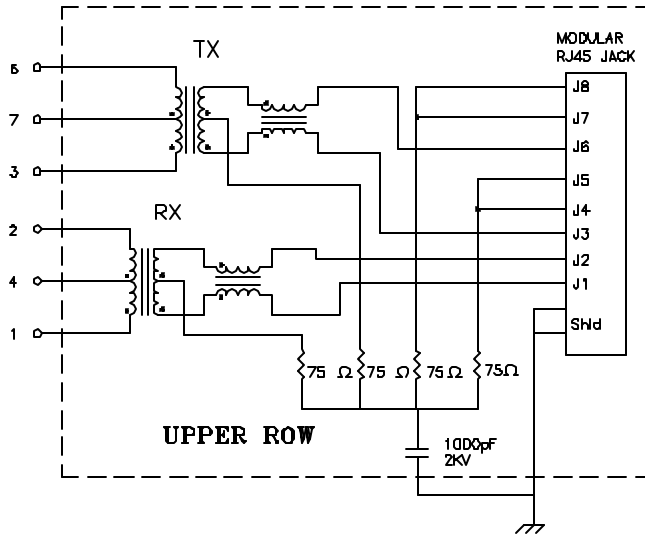
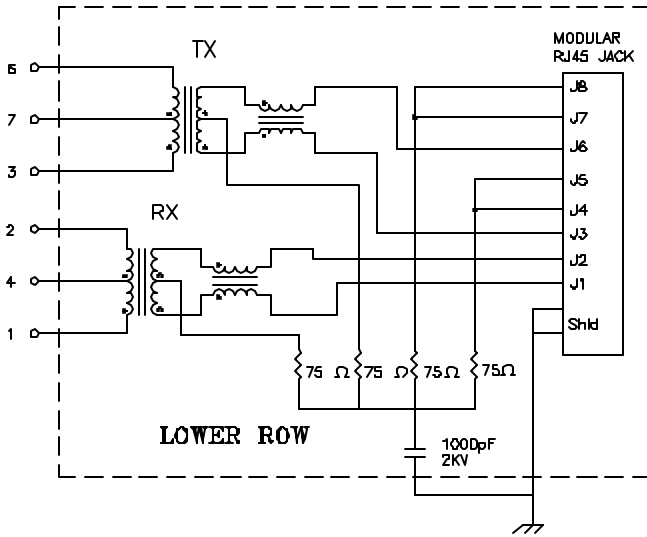


**Schematic:**



**Electrical Specifications: 25°C**

- Turns Ratio: TX 1CT:1CT±3%, RX 1CT:1CT±3%
- Isolation Voltage: 1500 Vrms (INPUT to OUTPUT)
- UTP Side OCL: 350uH Min @100KHz 100mV 8mADC
- Rise Time (10–90%): 2.5ns Typical
- Insertion Loss (1–100MHz): –1.0dB Maximum
- Insertion Loss (100MHz–125MHz): –1.5dB Typ.
- Return Loss: –20dB Typ. @30MHz  
–12dB Typ @80MHz
- Crosstalk 32MHz: 40.0dB Min  
62MHz: 35.0dB Min  
100MHz: 30.0dB Min
- CMRR 100KHz–100MHz: 35.0dB Typ

**Notes:**

1. Solderability: Leads shall meet MIL-STD-202G, Method 208H for solderability.
2. Flammability: UL94V-0
3. ASTM oxygen index: > 28%
4. Insulation System: Class F 155°C, UL file E151556
5. Operating Temperature Range: All listed parameters are to be within tolerance from –40°C to +85°C
6. Storage Temperature Range: –55°C to +125°C
7. Aqueous wash compatible
8. Electrical and mechanical specifications 100% tested
9. RoHS Compliant Component

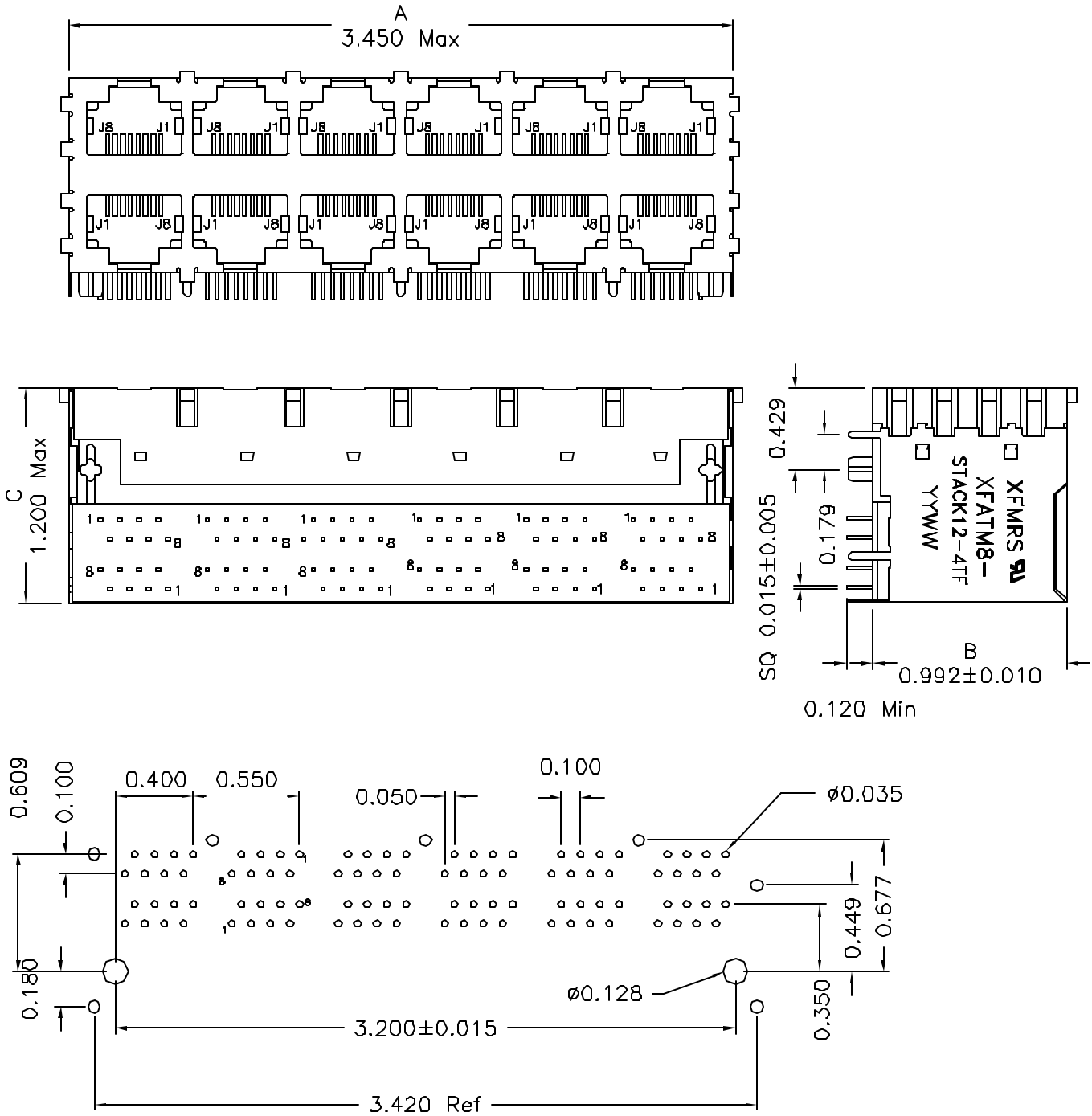
DOC REV: A/7

<b>XFMRs Inc.</b> www.XFMRS.com	Title: <b>2x6 STACKED COMBO SERIES</b>		
	UNLESS OTHERWISE SPECIFIED TOLERANCES: .xxx ±0.010 Dimensions in Inch	P/N: XFATM8–STACK12–4TF	REV. A
SHEET 1 OF 2	DWN.	Juan Mao	May–05–06
	CHK.	YK Liao	May–05–06
	APP.	BW	May–05–06

**PROPRIETARY:**

Document is the property of XFMRs Group & is not allowed to be duplicated without authorization.

# Mechanical Dimensions:



SUGGESTED MOUNTING PATTERN (COMPONENT SIDE)

DOC REV: A/7

<b>XFMRs Inc.</b> <a href="http://www.XFMRS.com">www.XFMRS.com</a>	Title: Mechanical Dimensions For 2x6 STACKED COMBO Series		
	UNLESS OTHERWISE SPECIFIED TOLERANCES: .xxx ±0.010 Dimensions in Inch	P/N: XFATM8-STACK12-4TF	REV. A
SHEET 2 OF 2	APP. BW	May-05-06	May-05-06

**PROPRIETARY:**

Document is the property of XFMRs Group & is not allowed to be duplicated without authorization.