



SINGLE RJ45 CONNECTOR WITH 10/100 BASE-TX MAGNETICS AND LEDS

P/N: LU1T516-43 LF

**Feature**



- RJ-45 connector integrated with X'FMR /Impedance resistor/High voltage capacitor.
- Size same as RJ-45 connector to save PCB Board space.
- Reduce EMI radiation, Improve EMI performance.
- Design for 100 BASE transmission over UTP-5 cable.
- Comply with RoHS requirements-whole part No Cd, No Hg, No Cr6+, No PBB and PBDE and No Pb on external pins.
- Operating temperature range: 0 to +70 .
- Storage temperature range: -25 to +85 .
- Recommended panel

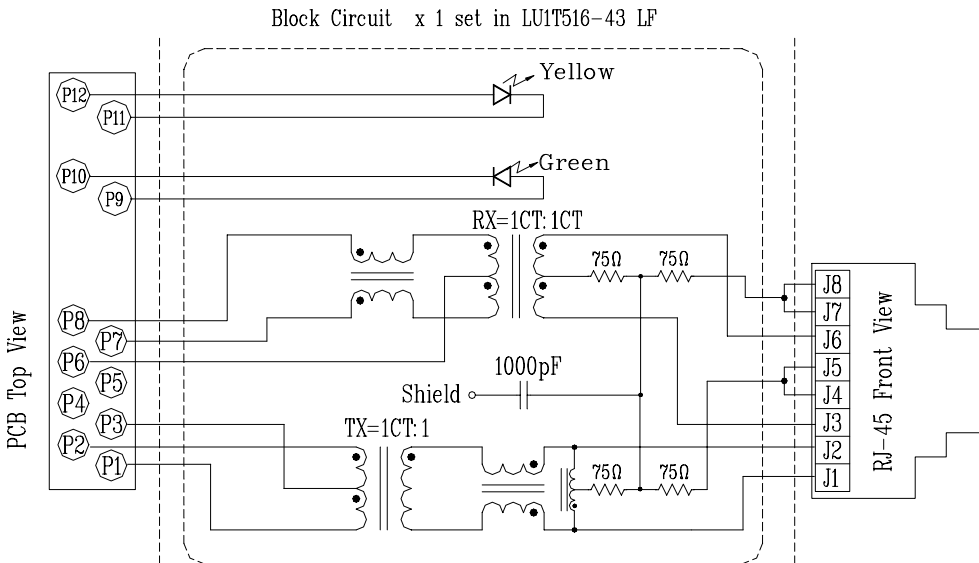
Part Number	Standard LED	Forward*V(Max)	(TYP)
3	YELLOW	2.6V	2.1V
4	GREEN	2.6V	2.2V

\*with a forward current of 20mA

Electrical Specifications @ 25°C							
Part Number	Turns Ratio (±5%)		OCL (uH Min) @ 100KHz/0.1V with 8mA DC Bias	C <sub>www</sub> (pF Max)	L.L (uH Max)	Insertion Loss (dB Max) 0.3-100MHz	HI-POT (Vrms) 1500
	TX	RX					
LU1T516-43 LF	1CT:1	1CT:1CT	350	28	0.4	-1.15	1500

Continue											
Part Number	Return Loss (dB Min)					Cross talk (dB Min)			CMR (dB Min)		
	30MHz	40MHz	50MHz	60MHz	80MHz	0.3-30MHz	30-60MHz	60-100MHz	1-30MHz	30-60MHz	60-125MHz
LU1T516-43 LF	-16	-14	-13.5	-13	-10	-40	-35	-30	-30	-25	-20

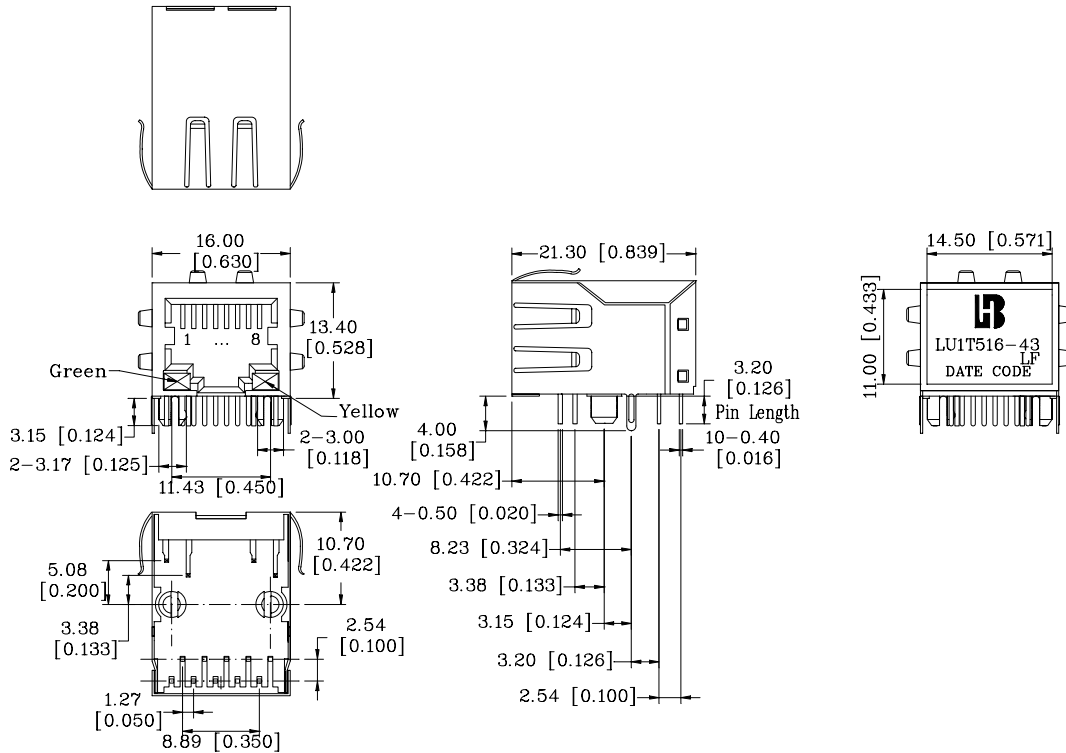
**Schematic**





P/N: LU1T516-43 LF

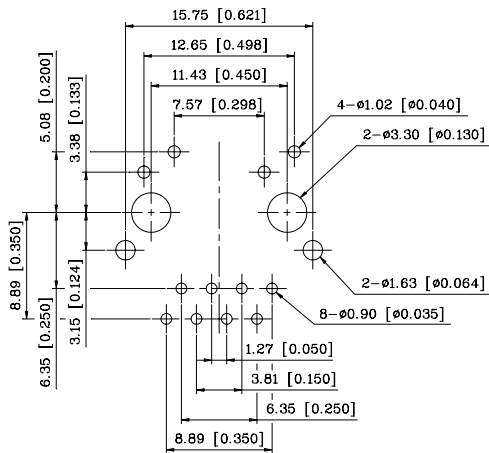
**Mechanical**



Units: mm[Inches] Tolerances: xx.x0±0.25[0.010]  
0.xx±0.05[0.002]

- 1. Plastic Material : Thermoplastic (UL 94V-0), Black Housing
- 2. Metal Shield : Brass, 20u inches thick Nickel
- 3. Spring Wire : Phosphor bronze with selective gold plating
- 4. Solder Pin : 0.4x0.4mm, Phosphor bronze with solder Plated
- 5. Durability : 750 Mating cycles Min.

**PCB Layout Mounting Hole(Top View)**



Units: mm[Inches]  
Tolerances: xx.x0±0.25[0.010]  
0.xx±0.05[0.002]

