

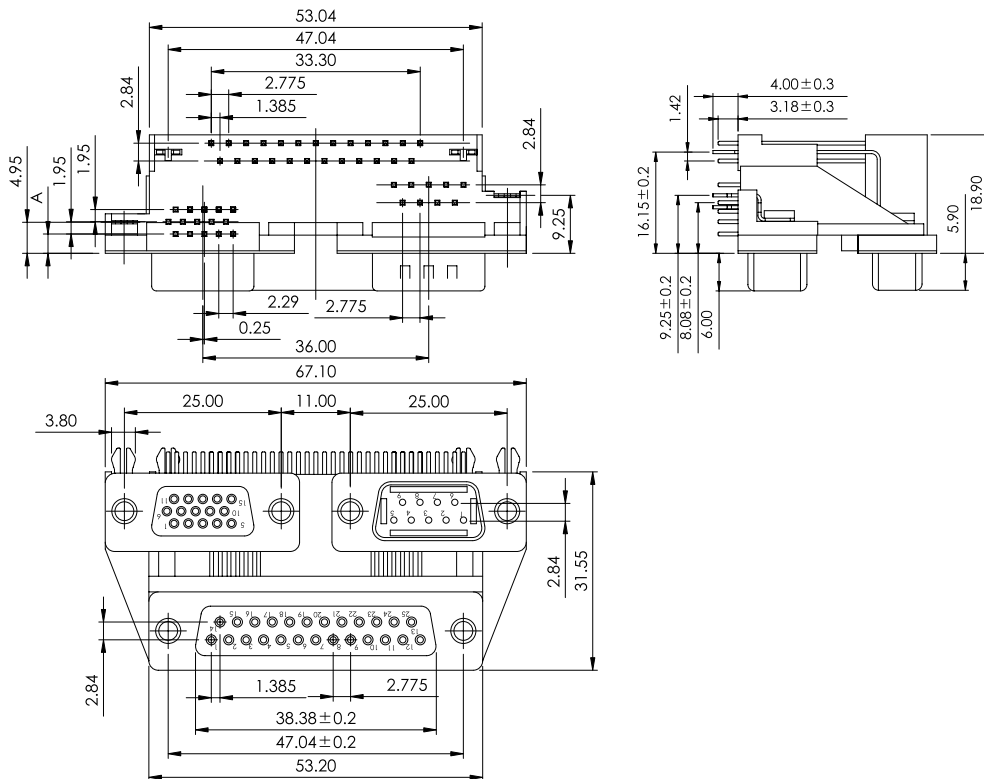
D-SUB 3 IN 1 CONNECTOR (9 PIN MALE X2+25PIN FEMALE)



070631FR Series

Specifications:

- **Insulator material** : P.B.T UL94V-0
- **Operating Type Range** : -40°C TO +105°C
- **Terminal Material** : Phos. Bronze
- **Platings** : Selective Gold/Tin
- **Max. Current Rating** : 2.5A
- **Max. Voltage Rating** : 250V AC
- **Dielectric Strength** : 500V AC For 60 Seconds



Desk Top

Order Information

070631FR049□□04AA
 1 2 3 4 5

1. 'R' : Right Angle DIP Type
2. No. of Pins
3. Plating
4. Color 'A' : Purple
'Z' : White
5. Package
'A' : Tray Package Without Cap
6. Similar Type

SUYIN P/NO.	DIM. A
070631FR049□□-04AA	3.08
070631FR049□□-02AA	5.08

Reference Page II

Recommended P.C.B Layout

