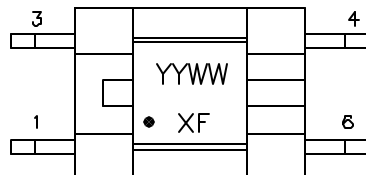
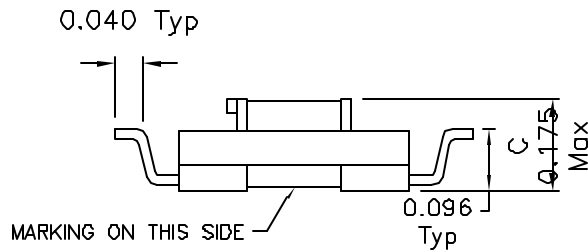
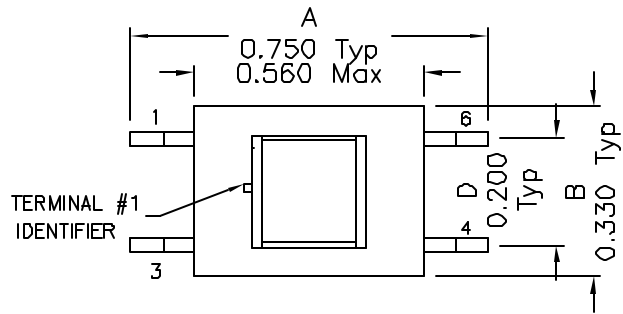


1. Mechanical Dimensions:



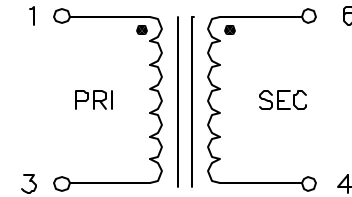
WHITE DOT INDICATES PIN #1

Notes:

1. Solderability: Leads shall meet MIL-STD-202G, Method 208H for solderability.
2. Flammability: UL94V-0
3. ASTM oxygen index: > 28%
4. Insulation System: Class F 155°C. UL file E15155B
5. Operating Temperature Range: All listed parameters are to be within tolerance from -40°C to +85°C
6. Storage Temperature Range: -55°C to +125°C
7. Aqueous wash compatible
8. SMD Lead Coplanarity: $\pm 0.004^{\circ}$ (0.102mm)
9. Electrical and mechanical specifications 100% tested
10. RoHS Compliant Component

DOC REV: E/4

2. Schematic:



3. Electrical Specifications: @25°C

URNS RATIO: 1:1 $\pm 2\%$

IMPEDANCE: Designed to reflect 600 Ohms on PRI
with 290 Ohms on SEC

DCR: Pins 1-3 145 Ohms $\pm 10\%$

DCR: Pins 6-4 170 Ohms $\pm 10\%$

FREQUENCY RESPONSE: $\pm 0.25\text{dB}$ 300Hz-3500Hz

INSERTION LOSS: 3.3dB $\pm 0.30\text{dB}$ @1KHz

RETURN LOSS: 30dB Typ 300Hz-3500Hz

HIPOT: 1000Vac, PRI to SEC

PROPRIETARY Document is the property of XFMRs Group & is not allowed to be duplicated without authorization.

XFMRs Inc www.XFMRs.com	Title: MODEM TRANSFORMER		
	UNLESS OTHERWISE SPECIFIED TOLERANCES: .xxx ± 0.020	P/N: XFEX08-8412	REV. E
Dimensions in INCH	DWN.	Juan Mao	May-11-06
SCALE 4:1 SHT 1 OF 1	CHK.	YK Liao	May-11-06
	APP.	MS	May-11-06