




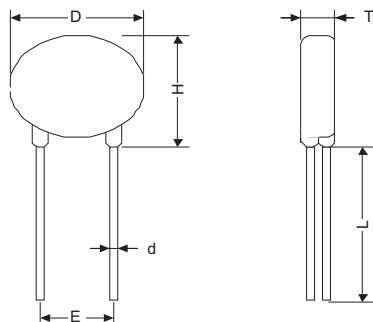
FEATURES

- High Surge Capability
- PCB Mountable
- Standard 12.5mm Spacing for good voltage isolation
- RoHS Compliant

DIMENSIONS

Part Number	Maximum Allowable Voltage		Varistor Voltage at 1mA		Withstanding Surge current 8/20μS (A)	Rated Wattage (W)	Energy 10/1000 μS (J)	UL 	CSA 	VDE 
	Acrms (V)	DC (V)	(V)	Tolerance Range						
JVR-25N180LPU5L	11	14	18 (15-21)		3,000	1.0	13		✓	✓
JVR-25N220KPU5L	14	18	22 (20-24)		3,000	1.0	16		✓	✓
JVR-25N270KPU5L	17	22	27 (24-30)		3,000	1.0	19		✓	✓
JVR-25N330KPU5L	20	26	33 (30-36)		3,000	1.0	24		✓	✓
JVR-25N390KPU5L	25	31	39 (35-43)		3,000	1.0	28		✓	✓
JVR-25N470KPU5L	30	38	47 (42-52)		3,000	1.0	34		✓	✓
JVR-25N560KPU5L	35	45	56 (50-62)		3,000	1.0	41		✓	✓
JVR-25N680KPU5L	40	56	68 (61-75)		3,000	1.0	49		✓	✓
JVR-25N820KPU5L	50	65	82 (74-90)		3,000	1.0	56		✓	✓
JVR-25N101KPU5L	60	85	100 (90-110)		15,000	1.0	70		✓	✓
JVR-25N121KPU5L	75	100	120 (108-132)		15,000	1.0	85		✓	✓
JVR-25N151KPU5L	95	125	150 (135-165)		15,000	1.0	106		✓	✓
JVR-25N181KPU5L	115	150	180 (162-198)		15,000	1.0	130		✓	✓
JVR-25N201KPU5L	130	170	200 (185-225)		15,000	1.0	140	✓	✓	✓
JVR-25N221KPU5L	140	180	220 (198-242)		15,000	1.0	155	✓	✓	✓
JVR-25N241KPU5L	150	200	240 (216-264)		15,000	1.0	168	✓	✓	✓
JVR-25N271KPU5L	175	225	270 (243-297)		15,000	1.0	190	✓	✓	✓
JVR-25N301KPU5L	190	250	300 (270-330)		15,000	1.0	210	✓	✓	✓
JVR-25N331KPU5L	210	275	330 (297-363)		15,000	1.0	228	✓	✓	✓
JVR-25N361KPU5L	230	300	360 (324-396)		15,000	1.0	255	✓	✓	✓
JVR-25N391KPU5L	250	320	390 (351-429)		15,000	1.0	275	✓	✓	✓
JVR-25N431KPU5L	275	350	430 (387-473)		15,000	1.0	305	✓	✓	✓
JVR-25N471KPU5L	300	385	470 (423-517)		15,000	1.0	350	✓	✓	✓
JVR-25N511KPU5L	320	415	510 (459-561)		15,000	1.0	382	✓	✓	✓
JVR-25N561KPU5L	350	460	560 (504-616)		15,000	1.0	380	✓	✓	✓
JVR-25N621KPU5L	385	505	620 (558-682)		15,000	1.0	380	✓	✓	✓
JVR-25N681KPU5L	420	560	680 (612-748)		15,000	1.0	380	✓	✓	✓
JVR-25N751KPU5L	460	615	750 (675-825)		15,000	1.0	420	✓	✓	✓
JVR-25N781KPU5L	485	640	780 (702-858)		15,000	1.0	440	✓	✓	✓
JVR-25N821KPU5L	510	670	820 (738-902)		15,000	1.0	460	✓	✓	✓
JVR-25N911KPU5L	550	745	910 (819-1001)		15,000	1.0	510	✓	✓	✓
JVR-25N102KPU5L	625	825	1,000 (900-1100)		15,000	1.0	565	✓	✓	✓
JVR-25N112KPU5L	680	895	1,100 (990-1210)		15,000	1.0	620	✓	✓	✓
JVR-25N122KPU5L	750	990	1,200 (1080-1320)		15,000	1.0	631		✓	✓
JVR-25N142KPU5L	880	1,140	1,400 (1260-1540)		15,000	1.0	697		✓	
JVR-25N162KPU5L	1,000	1,280	1,600 (1440-1760)		15,000	1.0	805		✓	

DIMENSIONS



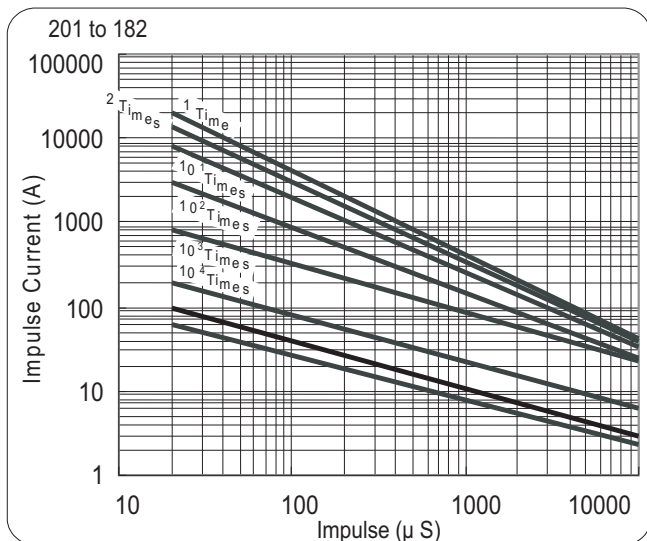
SIZE	25D
D max	28
H max	31
d ± 0.5	1.0
E ± 0.8	12.5

MECHANICAL DIMENSIONS

Part Code	201K	221K	241K	271K	301K	331K	361K	391K	431K	471K	511K
T max	5.5	5.6	5.7	6.0	6.1	6.1	6.2	6.3	6.5	6.8	7.0

Part Code	561K	621K	681K	751K	781K	821K	911K	102K	112K	122K	152K	182K
T max	7.3	7.6	8.3	8.5	8.7	9.1	9.6	10.5	10.8	11.5	13.5	16.6

PULSE RATING CURVES



V-I CHARACTERISTIC CURVES

