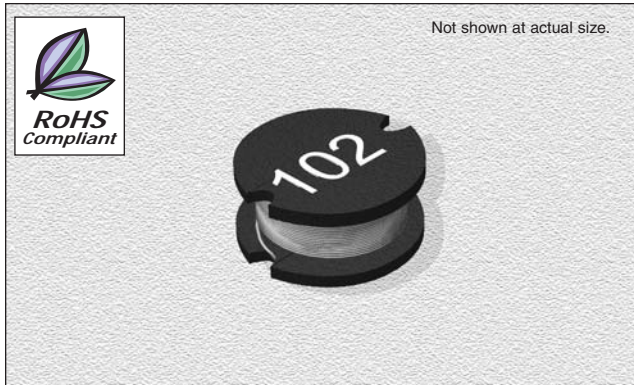


CTGS137F Series

From 1.5 μ H to 1000 μ H

SPECIFICATIONS

Part numbers indicate available tolerance
K = $\pm 10\%$, M = $\pm 20\%$



Part Number	Ind. (μ H)	Q Ref.	Q Test Freq. (MHz)	SRF Typ. (MHz)	DCR Typ. (m Ω)	I _{rms} Max. (A)	I _{sat} Typ. (A)
CTGS137F-1R5M	1.5	20	7.96	65	5.0	9.50	20.0
CTGS137F-2R2M	2.2	22	7.96	50	6.0	9.00	18.0
CTGS137F-2R7M	2.7	24	7.96	40	8.0	8.20	16.0
CTGS137F-3R3M	3.3	26	7.96	38	8.7	7.50	15.0
CTGS137F-4R7M	4.7	25	7.96	36	10	7.00	13.0
CTGS137F-5R6M	5.6	24	7.96	28	15	6.50	11.0
CTGS137F-6R8M	6.8	24	7.96	26	17	6.00	10.5
CTGS137F-8R2M	8.2	24	7.96	24	19	5.80	9.8
CTGS137F-100M	10	22	2.52	22	21	5.60	9.2
CTGS137F-120M	12	25	2.52	20	30	4.80	8.0
CTGS137F-150M	15	28	2.52	17	34	4.50	7.5
CTGS137F-180M	18	28	2.52	16	36	4.20	7.0
CTGS137F-220M	22	40	2.52	15	47	3.60	6.5
CTGS137F-270M	27	35	2.52	11	60	3.30	5.5
CTGS137F-330K	33	35	2.52	10	65	3.10	5.0
CTGS137F-390K	39	28	2.52	9.0	75	2.90	4.6
CTGS137F-470K	47	24	2.52	7.5	82	2.70	4.2
CTGS137F-560K	56	22	2.52	7.2	95	2.50	3.8
CTGS137F-680K	68	24	2.52	7.0	120	2.30	3.5
CTGS137F-820K	82	18	2.52	6.0	140	2.10	3.2
CTGS137F-101K	100	25	0.796	5.8	180	1.90	3.0
CTGS137F-121K	120	20	0.796	5.5	210	1.80	2.8
CTGS137F-151K	150	20	0.796	4.5	250	1.60	2.6
CTGS137F-181K	180	18	0.796	4.0	280	1.50	2.3
CTGS137F-221K	220	15	0.796	3.8	360	1.30	2.1
CTGS137F-271K	270	15	0.796	3.5	410	1.20	1.8
CTGS137F-331K	330	15	0.796	3.2	520	1.10	1.6
CTGS137F-391K	390	12	0.796	2.5	600	1.00	1.5
CTGS137F-471K	470	12	0.796	2.2	720	0.90	1.4
CTGS137F-561K	560	10	0.796	2.0	880	0.85	1.3
CTGS137F-681K	680	10	0.796	1.6	1000	0.80	1.2
CTGS137F-821K	820	10	0.796	1.5	1300	0.75	1.1
CTGS137F-102K	1000	10	0.252	1.4	1600	0.65	1.0

CHARACTERISTICS

Description: SMD power inductor

Applications: VTR power supplies, OA equipment, LCD televisions, PC notebooks, portable communication equipment, DC/DC converters

Operating Temperature: -40°C to +105°C

Storage Temperature: -40°C to +125°C

Inductance Tolerance: $\pm 10\%$, $\pm 20\%$

Testing: Inductance is tested on an HP4284A or HP4285A at 100kHz, 0.1V_{rms}

Packaging: Tape & Reel

Marking: Marked with inductance code

I_{sat}: Inductance drop = 10% typ. at I_{sat}

I_{rms}: $\Delta T = 40^\circ\text{C}$ rise typ. at I_{rms}

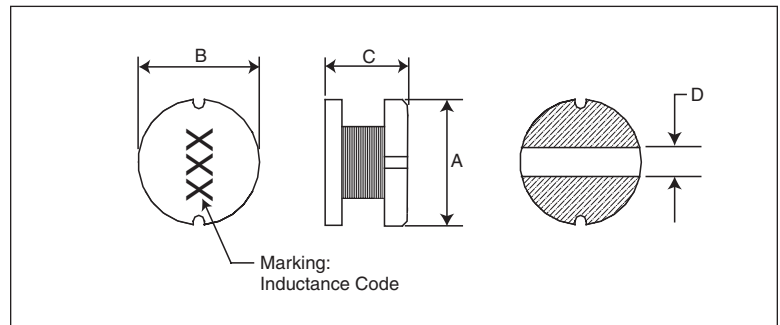
Miscellaneous: RoHS Compliant

Additional Information: Additional electrical & physical information available upon request

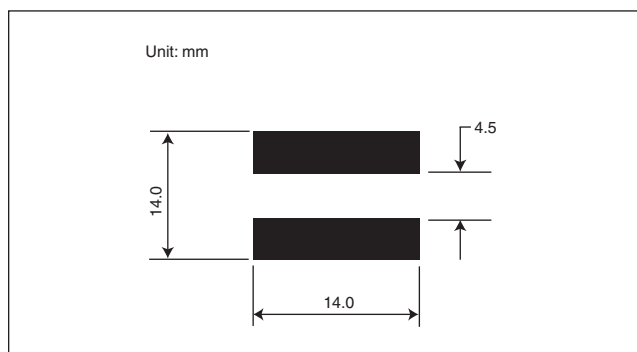
Samples available. See website for ordering information.

PHYSICAL DIMENSIONS

Size	A	B	C	D Typ.
mm	13 \pm 0.5	13 \pm 0.5	7 \pm 0.3	5
inches	0.512 \pm 0.020	0.512 \pm 0.020	0.276 \pm 0.012	0.197



PAD LAYOUT



03.19.08