



Frontier Electronics Corp.

685 E. COCHRAN STREET, SIMI VALLEY, CA 93065

TEL: (805) 522-9998 FAX: (805) 522-9989

E-mail: frontiersales@frontierusa.com

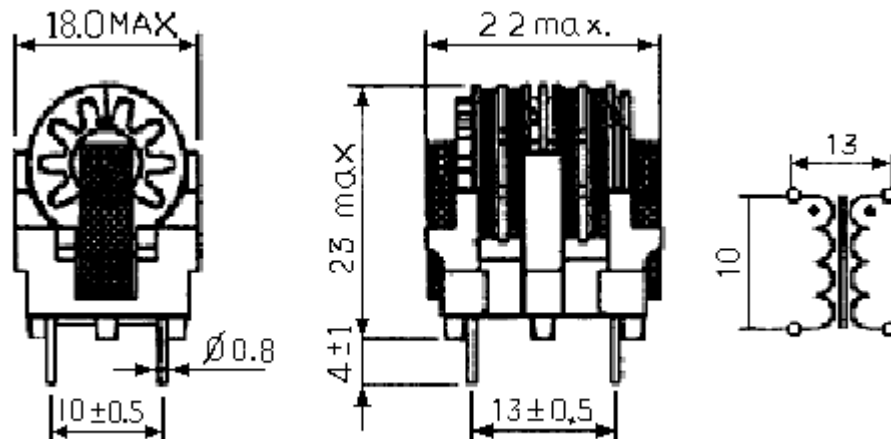
Web: frontierusa.com

Common Mode Line Filters—CFS2001 series

A. Specifications:

Part Number	Inductance (mH)	DCR (OHMS) Max.	Rated Current (A) RMS.
CFS2001-01	1.0	0.10	2.0
CFS2001-02	1.5	0.17	1.7
CFS2001-03	2.0	0.20	1.5
CFS2001-04	2.5	0.30	1.3
CFS2001-05	4.0	0.50	1.0
CFS2001-06	6.8	0.90	0.8
CFS2001-07	10	1.10	0.7
CFS2001-08	12	1.50	0.6
CFS2001-09	18	1.70	0.5
CFS2001-10	22	2.00	0.4
CFS2001-11	33	3.20	0.3

B. Mechanical Dimensions (Unit: mm) :



C. General information:

1. Test Condition: 1.0KHz / 1V.
2. Electrical specifications at 25°C.
3. Temperature Rise: 45°C.
4. Operating temperature: -20°C TO +105°C.
5. Insulation Resistance: 100M OHMS at 500VDC.
6. Rated Voltage: 100V to 270V / 50-60 Hz.
7. Hi-Pot Voltage: 1500VAC for one minute between line.

★ *Custom specifications are available.*