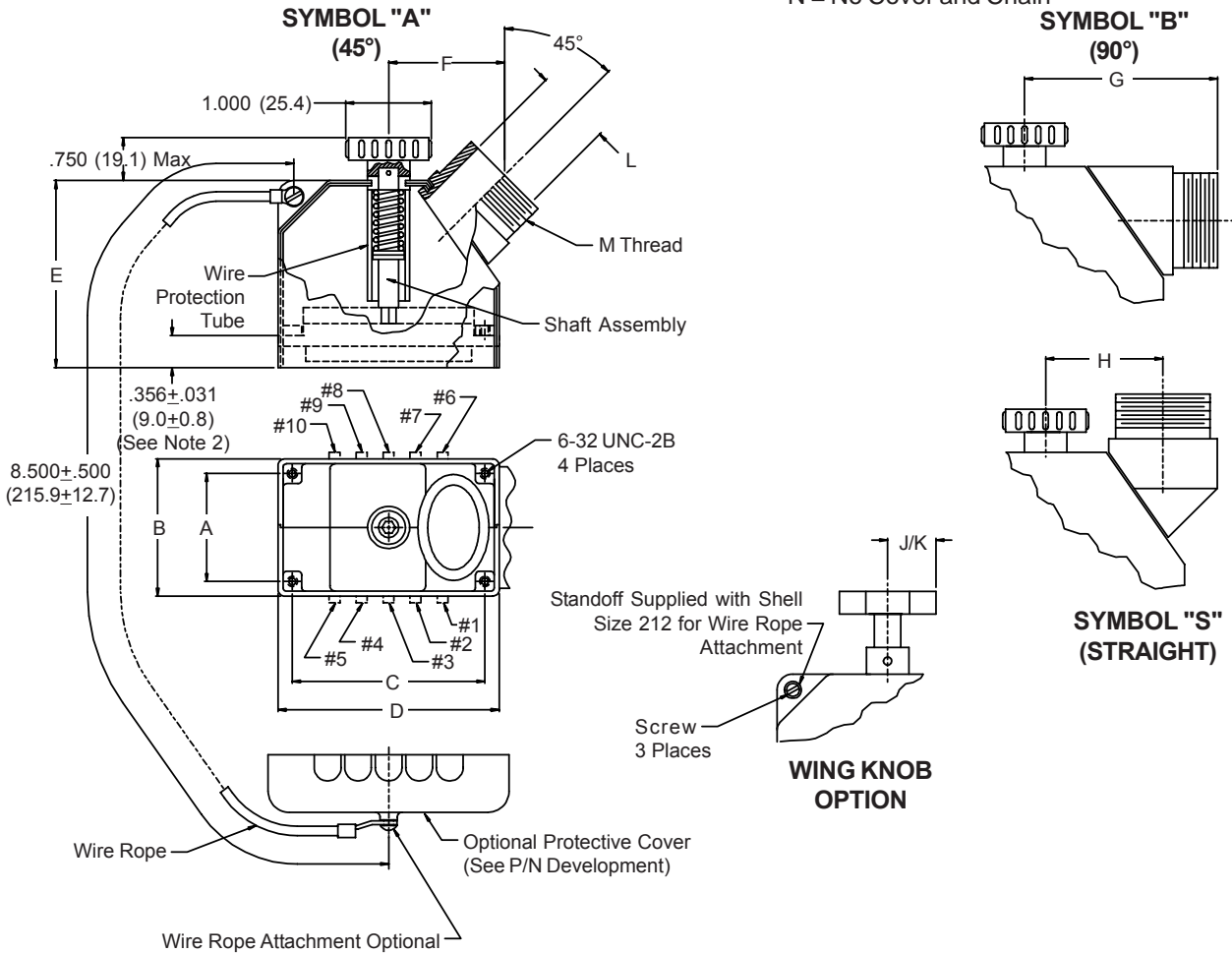
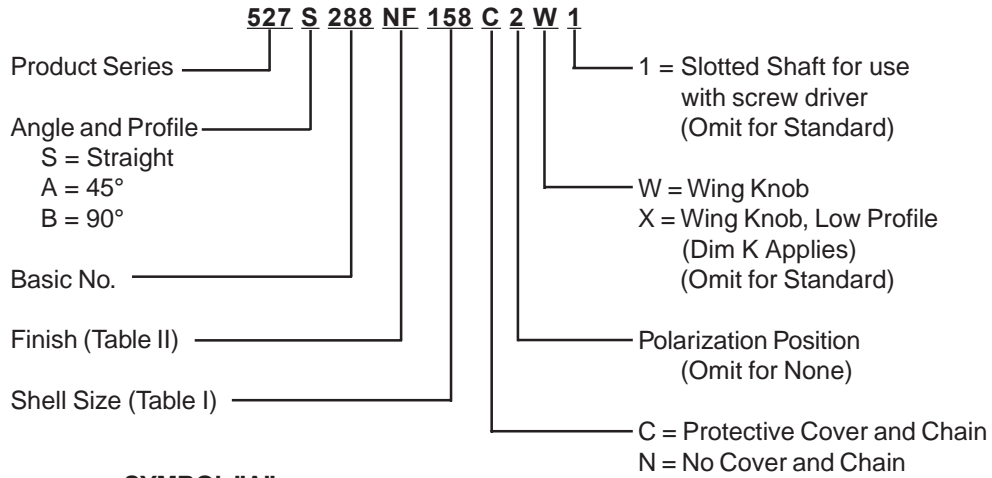


527-288 Split Backshell Straight, 45°, & 90° Entry for Hughes MRS Pin Body Connectors



NOTES:

1. Metric dimensions (mm) are indicated in parentheses.
 2. Backshells to be used with Pin Body Connectors, Back-Mounted on .094 (2.4) Nominal Panel.
- © 2004 Glenair, Inc. CAGE Code 06324

Printed in U.S.A.

527-288
Split Backshell
Straight, 45°, & 90° Entry
for Hughes MRS Pin Body Connectors



Miscellaneous
Rectangular
Backshells

TABLE I: CONNECTOR INTERFACE DIMENSIONS (Continued Below)

Shell Size	A Dim	B Dim	C Dim	D Max Dim	E Max Dim	F Max Dim	G Max Dim	H Max Dim
20	0	1.090 (27.7)	1.300 (33.0)	1.940 (49.3)	3.000 (76.2)	2.000 (50.8)	1.880 (47.8)	2.000 (50.8)
36	0	1.090 (27.7)	1.750 (44.5)	2.390 (60.7)	3.000 (76.2)	2.000 (50.8)	1.880 (47.8)	2.000 (50.8)
52	.550 (14.0)	1.340 (34.0)	1.900 (48.3)	2.530 (64.3)	3.000 (76.2)	2.000 (50.8)	1.880 (47.8)	2.000 (50.8)
80	.812 (20.6)	1.620 (41.1)	2.045 (51.9)	2.680 (68.1)	3.000 (76.2)	2.000 (50.8)	1.880 (47.8)	2.000 (50.8)
104	.812 (20.6)	1.620 (41.1)	2.500 (63.5)	3.130 (79.5)	3.750 (95.3)	2.130 (54.1)	2.130 (54.1)	2.130 (54.1)
158	1.250 (31.8)	2.110 (53.6)	2.500 (63.5)	3.130 (79.5)	3.750 (95.3)	2.380 (60.5)	2.130 (54.1)	2.130 (54.1)
212	1.850 (47.0)	2.640 (67.1)	2.500 (63.5)	3.130 (79.5)	3.750 (95.3)	2.380 (60.5)	2.130 (54.1)	2.130 (54.1)

TABLE I: CABLE ENTRY (Continued)

Shell Size	J Dim ±.005 (0.1)	K Dim ±.005 (0.1)	L Dim	M Thread
20	.630 (16.0)	N/A	.500 (12.7)	.750 - 20 UNEF
36	.630 (16.0)	N/A	.500 (12.7)	.750 - 20 UNEF
52	.935 (23.7)	N/A	.625 (15.9)	.875 - 20 UNEF
80	.935 (23.7)	N/A	1.000 (25.4)	1.250 - 18 UNEF
104	.935 (23.7)	N/A	1.000 (25.4)	1.250 - 18 UNEF
158	.995 (25.3)	.935 (23.7)	1.250 (31.8)	1.500 - 18 UNEF
212	.995 (25.3)	N/A	1.250 (31.8)	1.500 - 18 UNEF

**TABLE III:
FINISH OPTIONS**

Symbol	Finish
B	Cadmium Plate/Olive Drab
C*	Black Anodize
G*	Anodic Hard Coat
J	Gold Iridite over Cadmium Plate over Electroless Nickel
LF	Cadmium Plate/Bright over Electroless Nickel
M	Electroless Nickel
N	Cadmium Plate/Olive Drab over Electroless Nickel
NC	Zinc Cobalt/Dark Olive Drab
NF	Cadmium Plate/Olive Drab over Electroless Nickel
T	Cadmium Plate/Bright over Electroless Nickel
U**	Cadmium Plate/Black
ZN	Zinc-Nickel Alloy/Olive Drab

*Anodize finish is not suitable for EMI shielding or grounding applications.

**Applicable to corrosion resisting steel backshells and accessories. Consult factory for other available finishes.

Metric dimensions (mm) are indicated in parentheses.