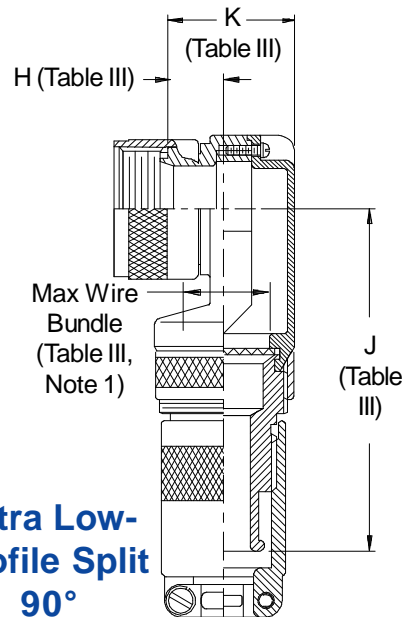
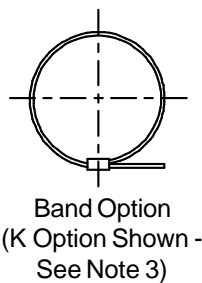
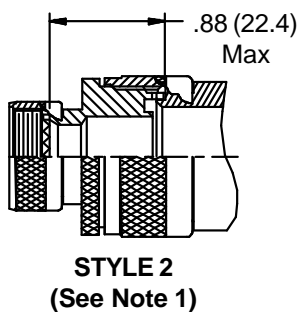
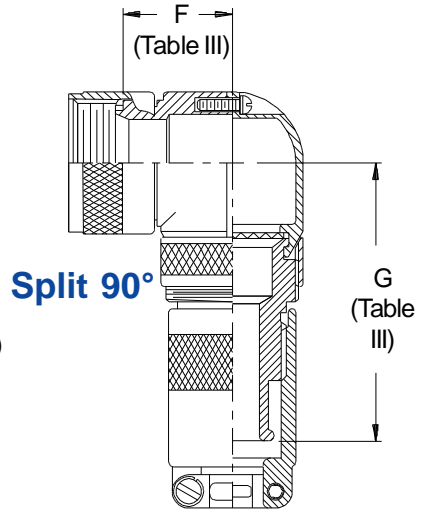
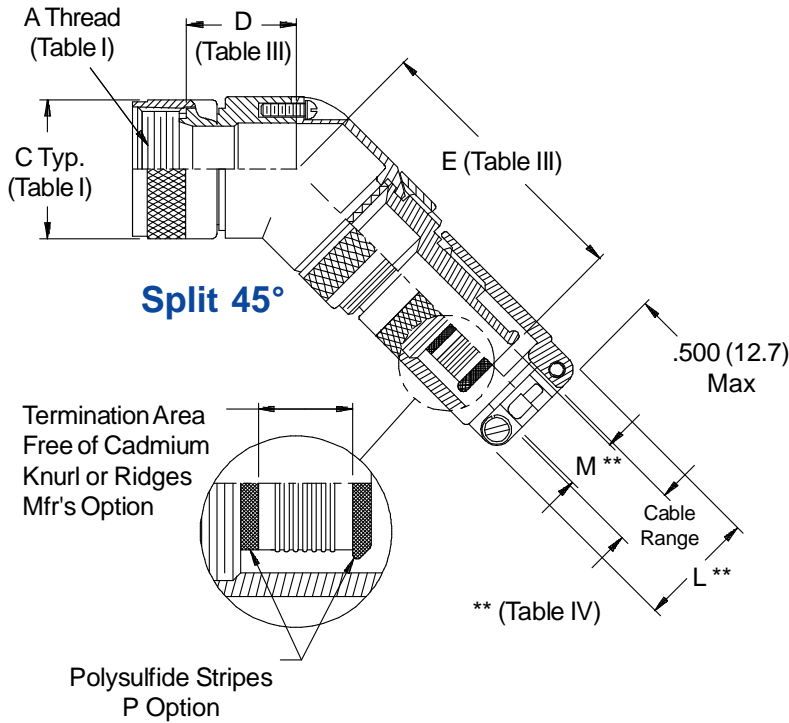
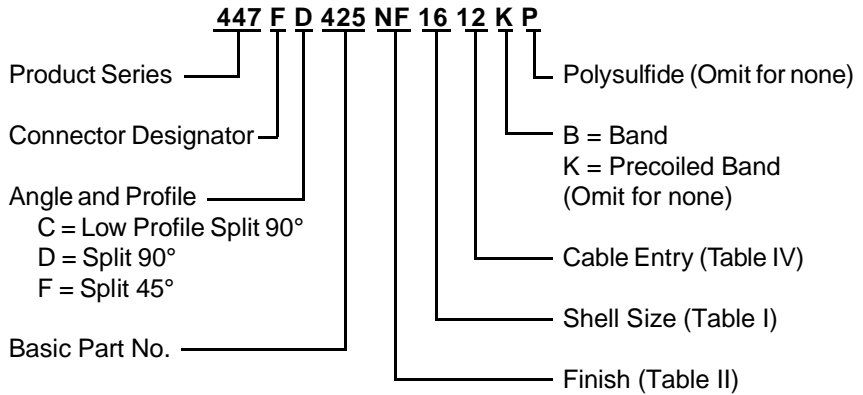


**CONNECTOR  
 DESIGNATORS  
 A-F-H-L-S  
 ROTATABLE  
 COUPLING**



See inside back cover fold-out or pages 13 and 14 for Tables I and II.

**TABLE III: ELBOW DIMENSIONS**

| Shell Size | D Max       | E Max        | F Max        | G Max        | H Ref       | J Max        | K Max        | Function C Max Wire Bundle |
|------------|-------------|--------------|--------------|--------------|-------------|--------------|--------------|----------------------------|
| 08/09      | .440 (11.2) | 1.840 (46.7) | .680 (17.3)  | 1.780 (45.2) | .340 (8.6)  | 2.120 (53.8) | .681 (17.3)  | .250 (6.4)                 |
| 10/11      | .500 (12.7) | 1.900 (48.3) | .750 (19.1)  | 1.840 (46.7) | .270 (6.9)  | 2.280 (57.9) | .731 (18.6)  | .375 (9.5)                 |
| 12/13      | .560 (14.2) | 1.970 (50.0) | .810 (20.6)  | 1.910 (48.5) | .270 (6.9)  | 2.280 (57.9) | .731 (18.6)  | .375 (9.5)                 |
| 14/15      | .620 (15.7) | 2.000 (50.8) | .870 (22.1)  | 1.940 (49.3) | .280 (7.1)  | 2.350 (59.7) | .831 (21.1)  | .500 (12.7)                |
| 16/17      | .680 (17.3) | 2.100 (53.3) | .930 (23.6)  | 2.040 (51.8) | .420 (10.7) | 2.400 (61.0) | .981 (24.9)  | .625 (15.9)                |
| 18/19      | .750 (19.1) | 2.160 (54.9) | 1.000 (25.4) | 2.100 (53.3) | .640 (16.3) | 2.430 (61.7) | 1.181 (30.0) | .625 (15.9)                |
| 20/21      | .820 (20.8) | 2.220 (56.4) | 1.060 (26.9) | 2.160 (54.9) | .640 (16.3) | 2.430 (61.7) | 1.181 (30.0) | .625 (15.9)                |
| 22/23      | .880 (22.4) | 2.280 (57.9) | 1.120 (28.4) | 2.220 (56.4) | .540 (13.7) | 2.580 (65.5) | 1.181 (30.0) | .750 (19.1)                |
| 24/25      | .940 (23.9) | 2.340 (59.4) | 1.180 (30.0) | 2.280 (57.9) | .540 (13.7) | 2.580 (65.5) | 1.181 (30.0) | .750 (19.1)                |

**TABLE IV: CABLE ENTRY**

| Dash No. | K     |        | L     |        | Cable Range |                     |
|----------|-------|--------|-------|--------|-------------|---------------------|
|          | ±.030 | ±(.8)  | Max   |        | Min         | Max                 |
| 10       | .220  | (5.6)  | 1.000 | (25.4) | .130        | (3.3) .250 (6.4)    |
| 12       | .310  | (7.9)  | 1.250 | (31.8) | .250        | (6.4) .380 (9.7)    |
| 14       | .440  | (11.2) | 1.340 | (34.0) | .310        | (7.9) .440 (11.2)   |
| 16       | .560  | (14.2) | 1.470 | (37.3) | .375        | (9.5) .630 (16.0)   |
| 18       | .630  | (16.0) | 1.560 | (39.6) | .560        | (14.2) .690 (17.5)  |
| 20       | .750  | (19.1) | 1.620 | (41.1) | .630        | (16.0) .750 (19.1)  |
| 22       | .880  | (22.4) | 1.750 | (44.5) | .750        | (19.1) .880 (22.4)  |
| 24       | 1.000 | (25.4) | 1.870 | (47.5) | .880        | (22.4) 1.000 (25.4) |
| 28       | 1.060 | (26.9) | 1.970 | (50.0) | 1.000       | (25.4) 1.130 (28.7) |
| 32       | 1.190 | (30.2) | 2.090 | (53.1) | 1.130       | (28.7) 1.250 (31.8) |

1. When maximum cable entry (page 21) is exceeded, Style 2 will be supplied (not available in Function C). Dimensions D, E, F, and G will not apply. Please consult factory.
2. Metric dimensions (mm) are indicated in parentheses.
3. Backshells supplied with 600-052-\* band, see Glenair Series 600 Tool Catalog for installation.
4. Angular function "C", low-profile split elbow, not available with "S" connector designator.