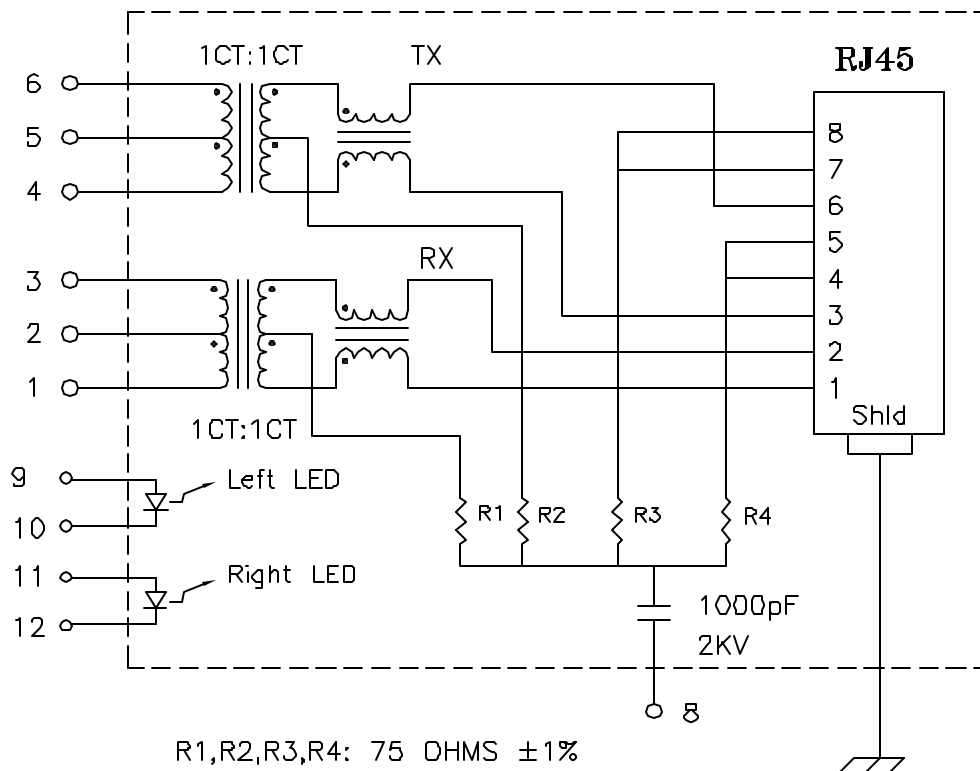


Schematic:



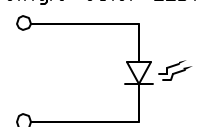
Electrical Specifications: @25°C

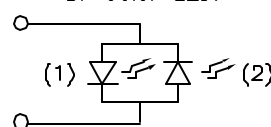
- Isolation Voltage: 1500 Vrms (Input to Output)
- Isolation Voltage: 500 Vrms (P1+2+3 to P4+5+6)
- Turns Ratio: TX 1CT:1CT ±3% RX 1CT:1CT ±3%
- CABLE SIDE OCL: 350uH Minimum @100KHz 100mV 8mADC
- Insertion Loss (300KHz-100MHz): -1.0dB Maximum
- Return Loss: @30MHz -20dB Minimum
- @80MHz -15dB Typ

Complete the Combo P/N as follows:

Replace 'x' & 'u' in the part number with one of the LED color letters:

Y=Yellow	'x' = Left LED Color
G=Green	'u' = Right LED Color
A=Amber	
R=Red	
C=Green(1)/Amber(2) Bicolor	
D=Amber(1)/Green(2) Bicolor	
M=Green(1)/Yellow(2) Bicolor	
N=Yellow(1)/Green(2) Bicolor	
P=Red(1)/Green(2) Bicolor	
Q=Green(1)/Red(2) Bicolor	

Single Color LED: 

Bi-Color LED: 

Notes:

1. Solderability: Leads shall meet MIL-STD-202G, Method 208H for solderability.
2. Flammability: UL94V-0
3. ASTM oxygen index: > 28%
4. Insulation System: Class F 155°C. UL file E151556
5. Operating Temperature Range: All listed parameters are to be within tolerance from -40°C to +85°C
6. Storage Temperature Range: -55°C to +125°C
7. Aqueous wash compatible
8. Electrical and mechanical specifications 100% tested
9. RoHS Compliant Component

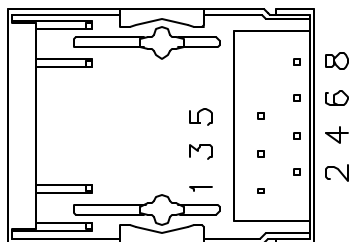
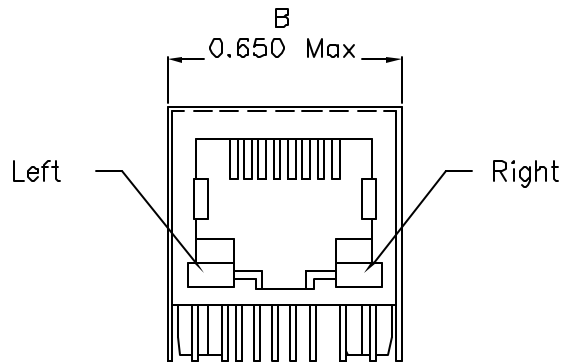
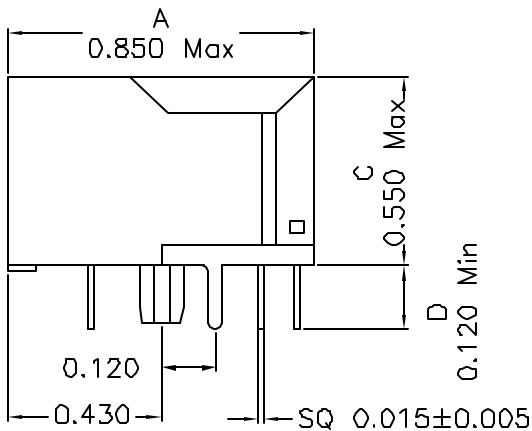
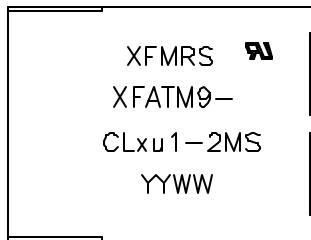
DOC. REV: A/4

XFMRS Inc www.XFMRS.com	Title: SINGLE PORT COMBO		
	UNLESS OTHERWISE SPECIFIED TOLERANCES: .xxx ±0.010		P/N: XFATM9-CLxu1-2MS
Dimensions in Inch	DWN.	Juan Mao	May-04-07
	CHK.	YK Liao	May-04-07
SHEET 1 OF 2	APP.	BW	May-04-07

PROPRIETARY:

Document is the property of XFMRS Group & is not allowed to be duplicated without authorization.

Mechanical Dimensions:

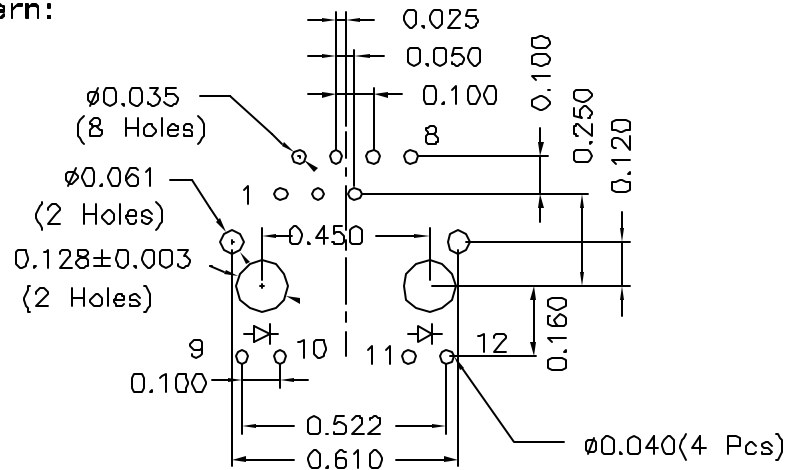


(BOTTOM VIEW)

*Remove Pin#7

Mounting Pattern:

(COMP SIDE)



DOC. REV: A/4

XFMRS Inc www.XFMRS.com	Title: SINGLE PORT COMBO		
	UNLESS OTHERWISE SPECIFIED	P/N: XFATM9-CLxu1-2MS	REV. A
TOLERANCES:	DWN.	Juan Mao	May-04-07
.xxx ±0.010	CHK.	YK Liao	May-04-07
Dimensions in Inch	APP.	BW	May-04-07
SHEET 2 OF 2			

PROPRIETARY:

Document is the property of XFMRS Group & is not allowed to be duplicated without authorization.