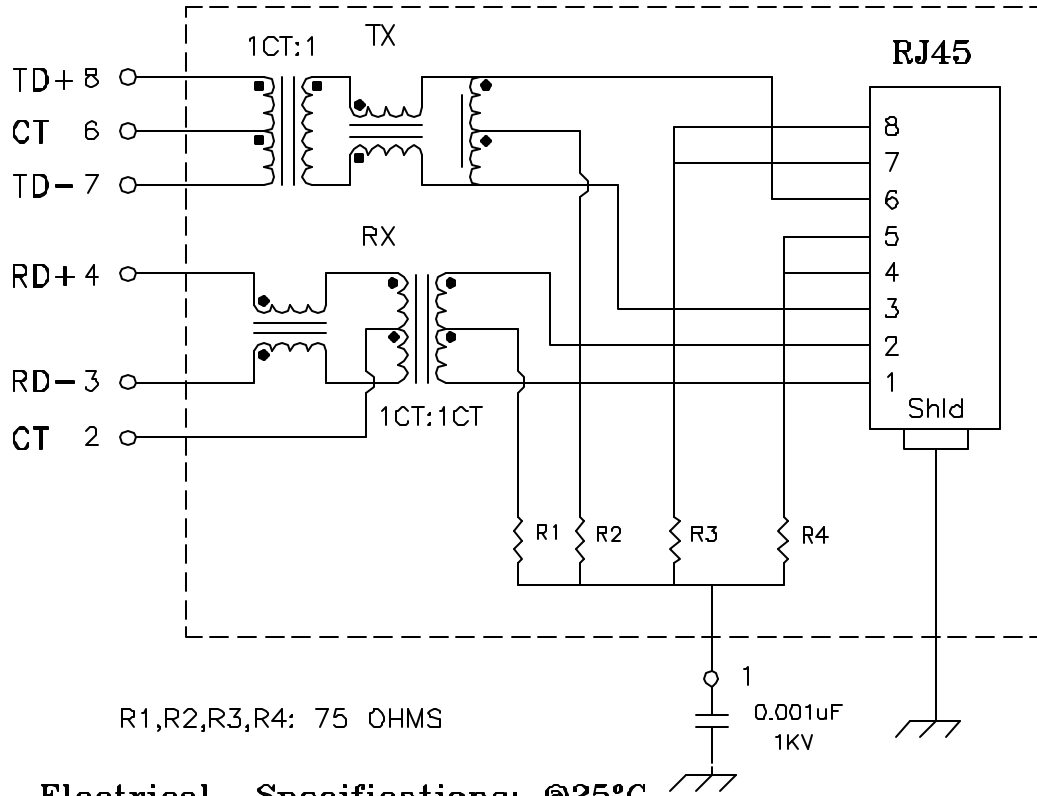


Schematic:



Electrical Specifications: @25°C

- Isolation Voltage: 1500 Vrms (INPUT to OUTPUT)
- Isolation Voltage: 500 Vrms (6+7+8-2+3+4)
- TURNS RATIO: TX 1CT:1 ±5% RX 1CT:1CT ±5%
- OCL: 350uH Minimum @100KHz 100mV 8mADC
- Insertion Loss (300KHz-100MHz): -1.0dB Typical
- Return Loss: 30MHz -16dB Typical
- 60MHz -12dB Typical
- 80MHz -10dB Typical
- CROSSTALK: 32MHz -40dB Minimum
- 62MHz -35dB Minimum
- Note: 100MHz -35dB Minimum

1. Solderability. Leads shall meet MIL-STD-202, Method 208D for solderability.
2. Flammability: UL94V-0,
3. ASTM oxygen index: > 28% ,
4. Temperature rating: 155°C. UL file E151556,
5. Operating Temperature Range: 0°C to +70°C

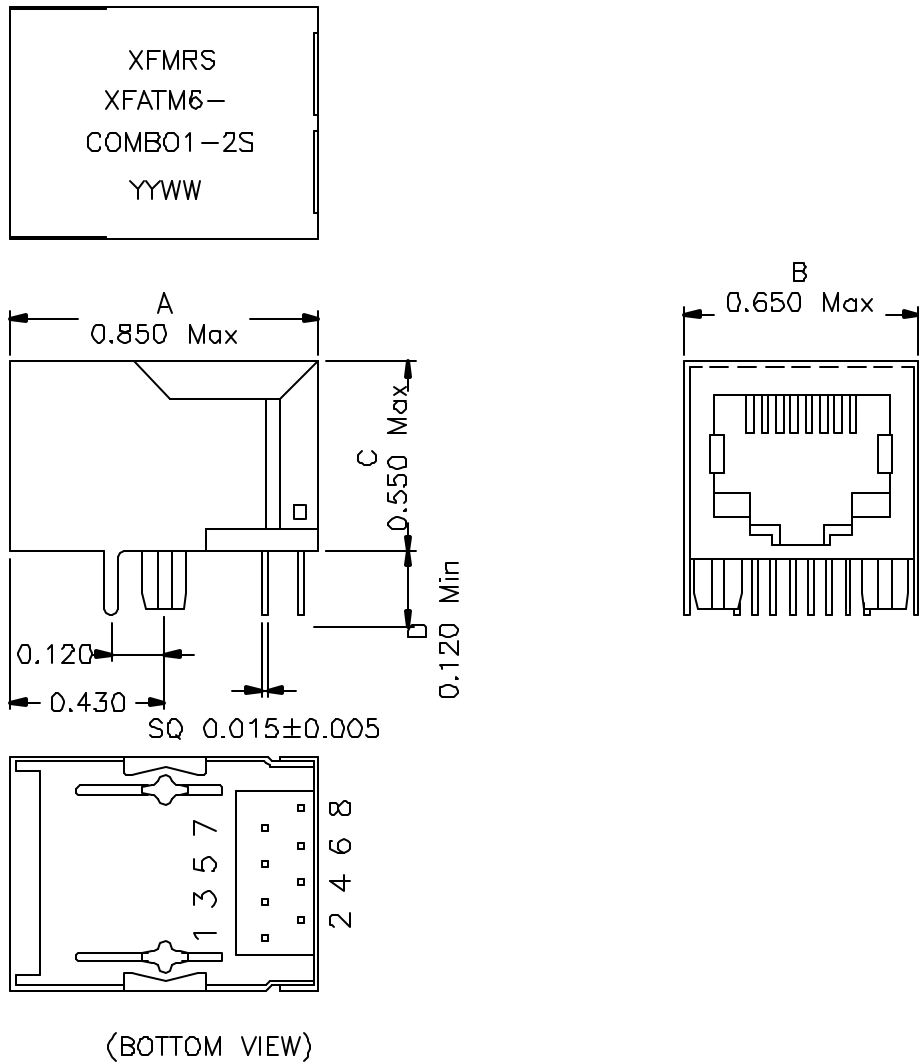
DOC. REV: A/5

XFMRs Inc.	Title: SINGLE PORT COMBO		
	UNLESS OTHERWISE SPECIFIED	P/N: XFATM6-COMBO1-2S	REV. A
TOLERANCES: .xxx ±0.010	DWN.	李小锋	Jan-16-04
Dimensions in Inch	CHK.	廖玉坤	Jan-16-04
SHEET 1 OF 2	APP.	MS	Jan-16-04

PROPRIETARY:

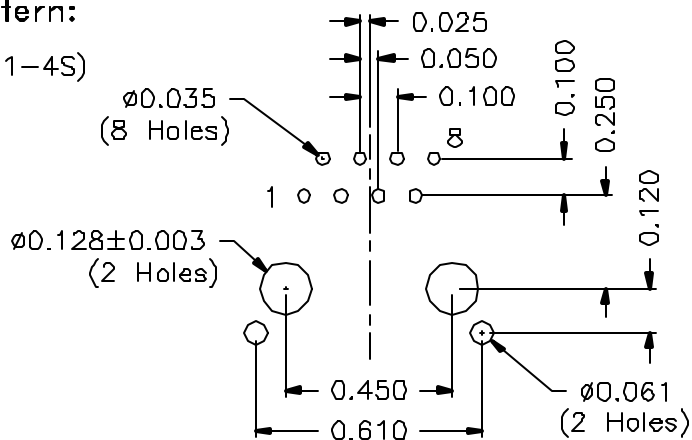
Document is the property of XFMRs Group & is not allowed to be duplicated without authorization.

Mechanical Dimensions:



Mounting Pattern:

(FOR COMBO1-4S)
(COMP SIDE)



DOC. REV A/5

XFMRS Inc.

Title: Mechanical Dimensions
For COMBO1-2S Series

UNLESS OTHERWISE SPECIFIED
TOLERANCES:
.xxx ±0.010
Dimensions in Inch

P/N: XFATM6-COMBO1-2S

REV A

DWN.

李小锋

Jan-16-04

CHK.

廖玉坤

Jan-16-04

APP.

MS

Jan-16-04

SHEET 2 OF 2

PROPRIETARY:

Document is the property of XFMRS Group & is not allowed to be duplicated without authorization.