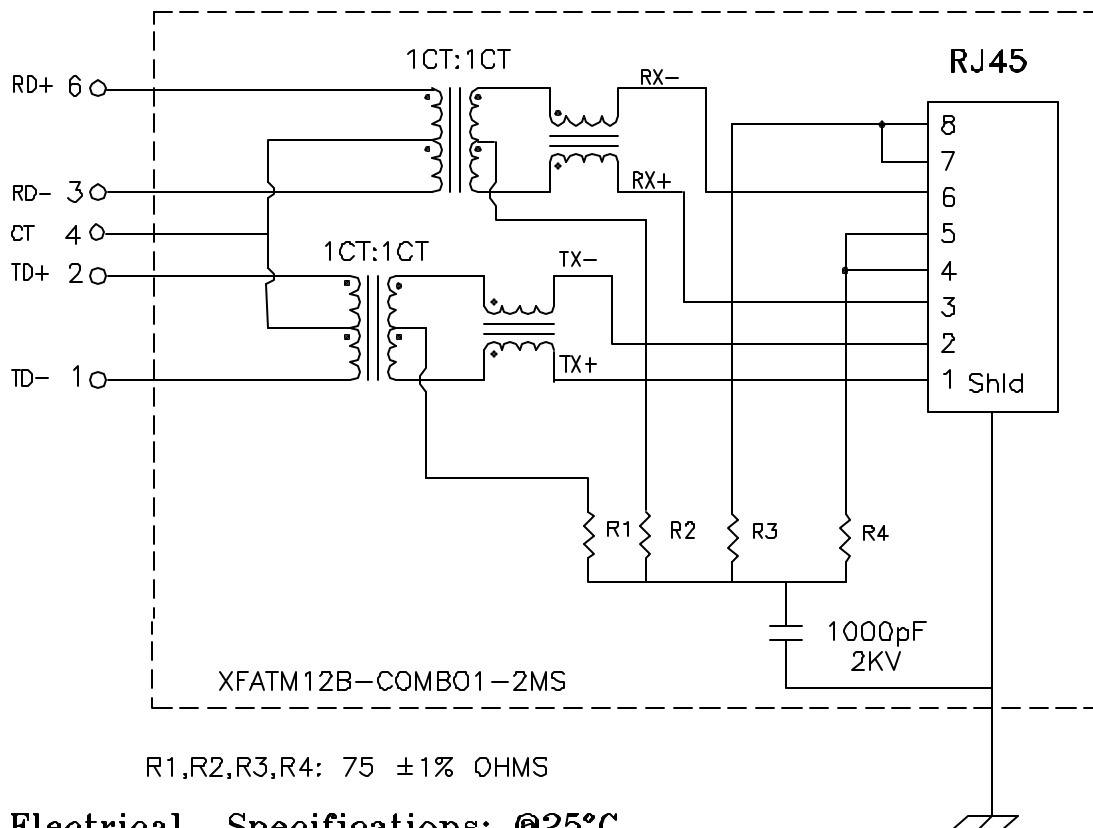


Schematic:



Electrical Specifications: @25°C

Isolation Voltage: 1500 Vrms (INPUT to OUTPUT)

UTP SIDE OCL: 350uH Min @100KHz 100mV 8mADC

Rise Time (10-90%): 2.5ns Typical

Insertion Loss (100KHz-100MHz): -1.1dB Maximum

Insertion Loss (100MHz-125MHz): -1.5dB Maximum

Return Loss: -20dB Min. @30MHz

-15dB Typ. @80MHz

Crosstalk:

100KHz-60MHz -40dB Typical

60MHz-100MHz -38dB Typical

Common Mode to Differential Mode Rejection:

100KHz-60MHz -45dB Typ (Tx) / -40dB Typ (Rx)

60MHz-100MHz -40dB Typ (Tx) / -35dB Typ (Rx)

Notes:

1. Solderability: Leads shall meet MIL-STD-202, Method 208D for solderability.
2. Flammability: UL94V-0
3. ASTM oxygen index: > 28%
4. Insulation System: Class F 155°C. UL file E151556
5. Operating Temperature Range: All listed parameters are to be within tolerance from -40°C to +85°C
6. Storage Temperature Range: -55°C to +125°C
7. Aqueous wash compatible
8. SMD Lead Coplanarity: ±0.004" (0.102mm)
9. Moisture Sensitivity: Level 2
10. Electrical and mechanical specifications 100% tested
11. RoHS Compliant Component

XFMRs Inc
www.XFMRS.com

Title: **SINGLE PORT COMBO**

UNLESS OTHERWISE SPECIFIED
TOLERANCES:
.xxx ±0.010
Dimensions in Inch

XFATM12B-COMBO1-2MS		REV. A
DWN.	Juan Mao	Oct-22-04
CHK.	YK Liao	Oct-22-04
APP.	J Ng	Oct-22-04


DOC. REV A/1

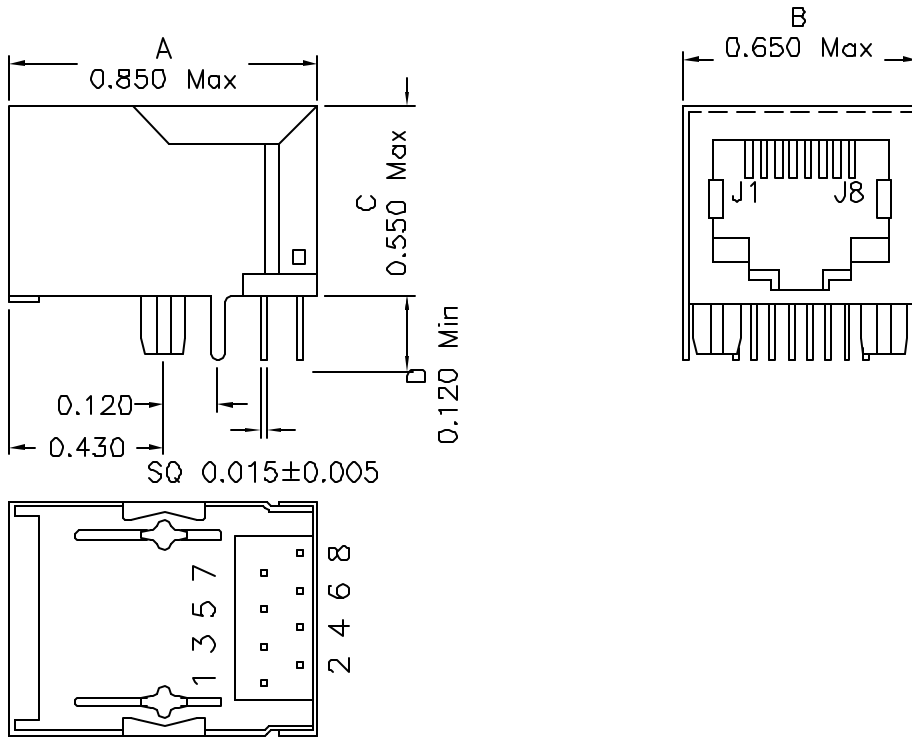
PROPRIETARY:

Document is the property of XFMRs Group & is not allowed to be duplicated without authorization.

SHEET 1 OF 1

Mechanical Dimensions:

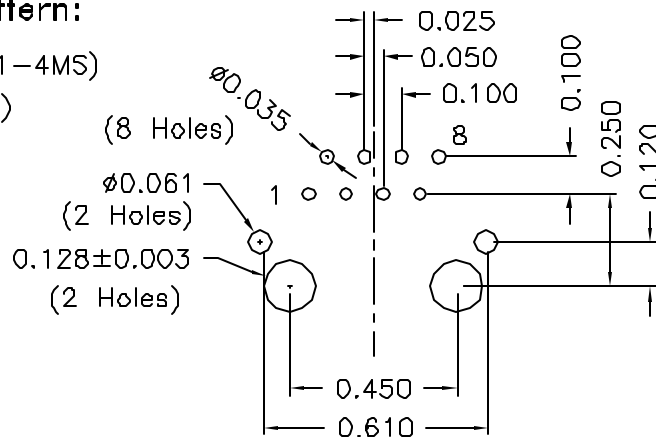
XFMRS 
 XFATM12B-
 COMBO1-2MS
 YYWW



(BOTTOM VIEW)

Mounting Pattern:

(FOR COMBO1-4MS)
 (COMP SIDE)



DOC. REV: A/1

XFMR Inc
 www.XFMR.com

Title: Mechanical Dimensions
 For COMBO1-2MS Series

UNLESS OTHERWISE SPECIFIED
 TOLERANCES:
 .xxx ±0.010
 Dimensions in Inch

P/N: XFATM12B-COMBO1-2MS	REV. A
DWN. Juan Mao	Oct-22-04
CHK. YK Liao	Oct-22-04
APP. J Ng	Oct-22-04

SHEET 2 OF 2

PROPRIETARY:

Document is the property of XFMR Group & is not allowed to be duplicated without authorization.