

miniSD™ Card Adapter (for microSD™ Card)

SCHF Series



Resin body offers high reliability along with twist-resistant robust structure.



Features

- General SD card hosts can be used by inserting miniSD™ card into the adaptor.
- Unique half-lock structure stops media from flying out during ejection.

Applications

- For digital still cameras, digital camcorders, mobile phones, PCs and personal digital assistants

Typical Specifications

Items		Specifications
Structure	Applicable media	microSD™ Card
	Mounting type	_____
	Mounting style	_____
	Media ejection structure	Manual insertion/removal
Performance	Operating temperature range	-25°C to +85°C
	Voltage proof	500V AC 1minute
	Insulation resistance (Initial)	1,000MΩ min.
	Contact resistance (Initial)	100mΩ max.
	Insertion and removal cycle	10,000cycles

Product Line

Media ejection structure	Packing system	Product No.
Manual insertion/removal	Tray	SCHF1A0100

For SD Memory Card

For microSD™ Card

For SIM Card 8pins

For W-SIM

For Memory Stick Micro™

For Memory Stick™

Combine Type

For Compact Flash™

For PC cards supporting CardBus

For Express Card™

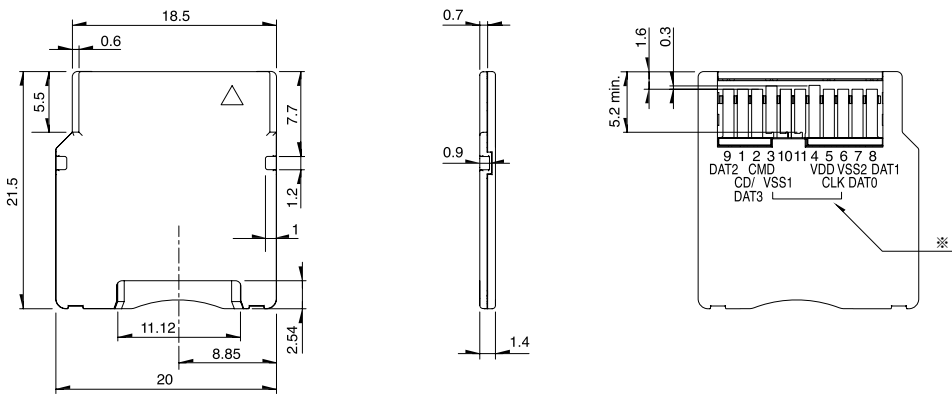
For CMOS Camera Module

Dimensions

Unit:mm

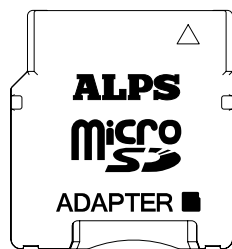
Style

- For SD Memory Card
- For microSD™ Card
- For SIM Card 8pins
- For W-SIM
- For Memory Stick Micro™
- For Memory Stick™
- Combine Type
- For Compact Flash™
- For PC cards supporting CardBus
- For Express Card™
- For CMOS Camera Module



※ Inside miniSD™ Adapter: Vss1 must be connected Vss2

Product Surface Logo



Logo text is used for reference.

Note

Surface indications can be customized. Please contact us for details. Samples will be delivered with Alps' standard indication.

Cautions for using this product

1. To prevent contact failures caused by sulfuration or oxidation on the contact and terminal or deterioration of solderability caused by film forming, please follow the instructions given below.
 - (1) Do not store the product in locations with high temperature or high humidity. Keep it in an atmosphere free from corrosive gases including sulphurous or chlorinate gas. Do not stack.
 - (2) Store the adapter unopened at room temperature and low humidity. Use the product preferably within 3 months after delivery or within 6 months at the latest.
 - (3) To store the product after opening the package, keep it in a sealed polyethylene bag. Store in a dark, cool place, out of direct sunlight. Use the product as soon as possible.