

COMMOND MODE CHOKE SURFACE MOUNT

Improved EMI performance for FCC class B applications.

Line to line Isolation: 500 Vrms

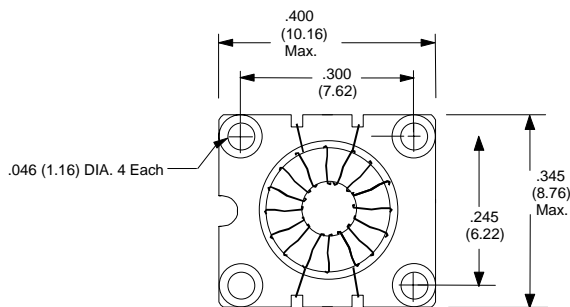
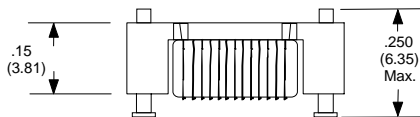
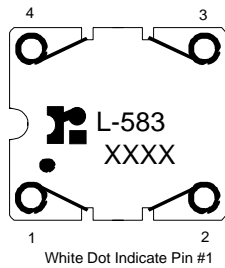
Maximum common mode attenuation at 1 MHz

Well suited for many Telecom applications

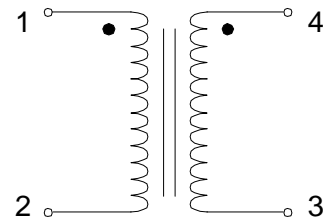
Electrical Specifications at 25°C

Part Number	L (mH) ± 30%	Common Mode Attenuation				Isolation Voltage (Vrms MIN.)	DCR (Ω MAX.)
		@ 100 kHz dB TYP	@1MHz dB TYP.	10 MHz dB TYP.			
L-583	4.7	40	51	38	500	1.0	

Physical Dimensions
inches (mm)



Schematic
Diagram



RHOMBUS P/N: L-583

CUST P/N:

NAME:

DATE: 4/28/00

SHEET: 1 OF 1