

### Description

Dual center tap Schottky rectifier designed for high frequency Switched Mode Power Supplies.

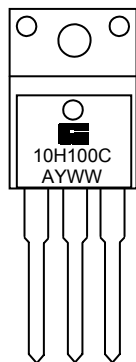
### Features

- High junction temperature capability
- Good trade off between leakage current and forward voltage drop
- Low leakage current

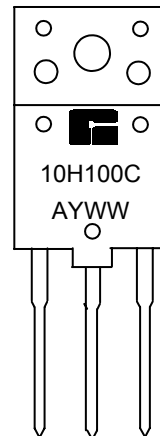
### Applications

- |  |  |
|--|--|
| <ul style="list-style-type: none"> <li>■ Switching Power Supply</li> <li>■ Industrial Application</li> <li>■ Computer and Peripheral</li> <li>■ Home Appliance</li> <li>■ Consumer Product</li> <li>■ Battery Charger/Adapter</li> </ul> | <ul style="list-style-type: none"> <li>■ LCD Monitor/TV</li> <li>■ AC-DC Converter</li> <li>■ DC-DC Converter</li> <li>■ Telecommunication</li> <li>■ Free Wheeling Diodes</li> <li>■ Polarity Protection</li> </ul> |
|--|--|

### Marking Information and Pin Configurations (Top View)



TO - 220FPAB & TO - 220AB



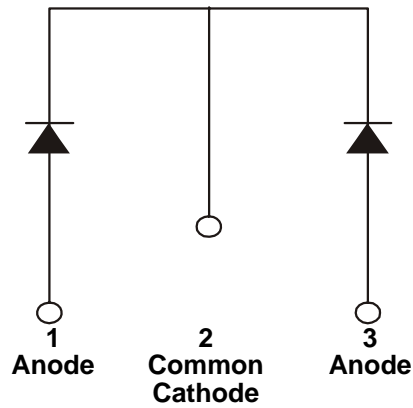
TO - 3PF

10: Maximum average forward rectified current - 10A  
H: Low  $V_F$  family  
100: Repetitive peak reverse voltage - 100V  
C: Dual Cathode Common  
A: Assembly Location  
Y: Year  
WW: Work Week

### Ordering Information

ORDERING NUMBER	PACKAGE	SHIPPING
GMR10H100CTB3T	TO220AB	50 Units/ Tube
GMR10H100CTBF3T	TO220FPAB	50 Units/ Tube
GMR10H100CTPF3	TO-3PF	30 Units/ Tube

### Block Diagram



## Absolute Maximum Ratings

PARAMETER	SYMBOL	VALUE	UNITS
Repetitive Peak Reverse Voltage	$V_{RPM}$	100	V
RMS Forward Current	$I_{F(RMS)}$	10	A
Peak Forward Surge Current 8.3ms single half sine-wave superimposed on rated load (JEDEC METHOD)	$I_{FSM}$	135	A
Maximum Operating Junction Temperature	$T_J$	175	°C
Operating storage temperature	$T_{STG}$	-45 to +150	°C
Voltage Rate of Change	dV/dt	10,000	V/μs
Electrostatic Discharge Voltage. JEDEC Method. ESD HBM. Contact	$V_{ESD}$	± 8	kV

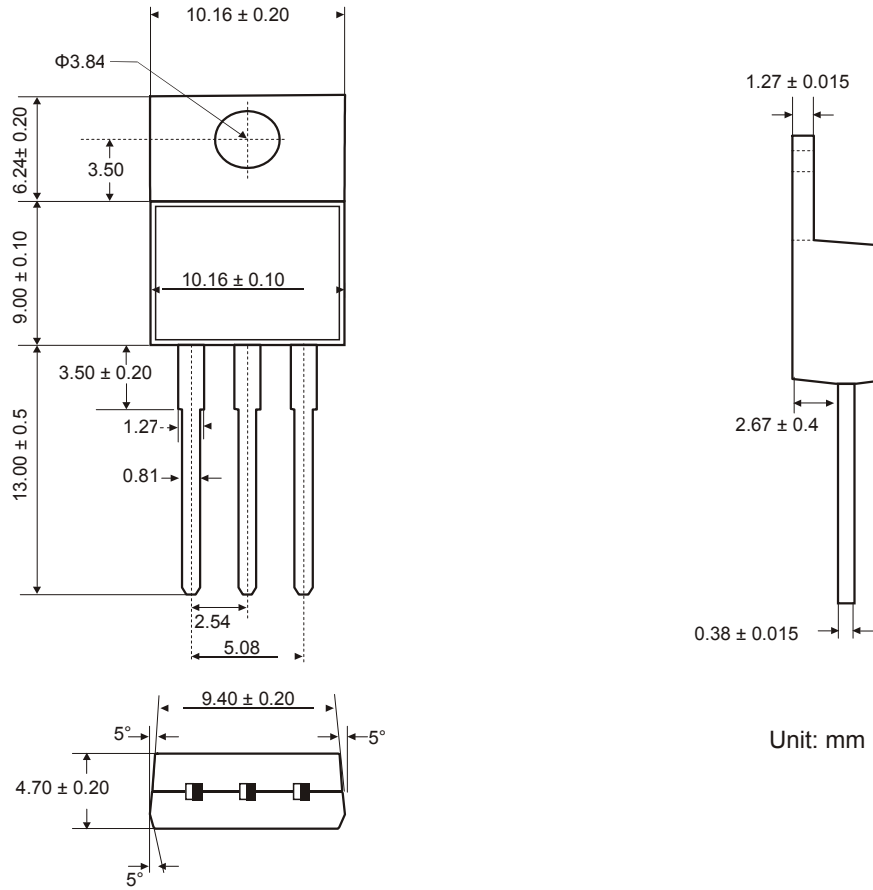
## Thermal Characteristics

PARAMETER	SYMBOL	TO220AB	TO220FPAB	TO-3PF	UNITS
Typical thermal resistance	$\Theta_{JC}$	2.4	4.2	1.2	°C/W

## Electrical Characteristics (per diode) $T_J = 25^\circ\text{C}$ , Unless otherwise noted

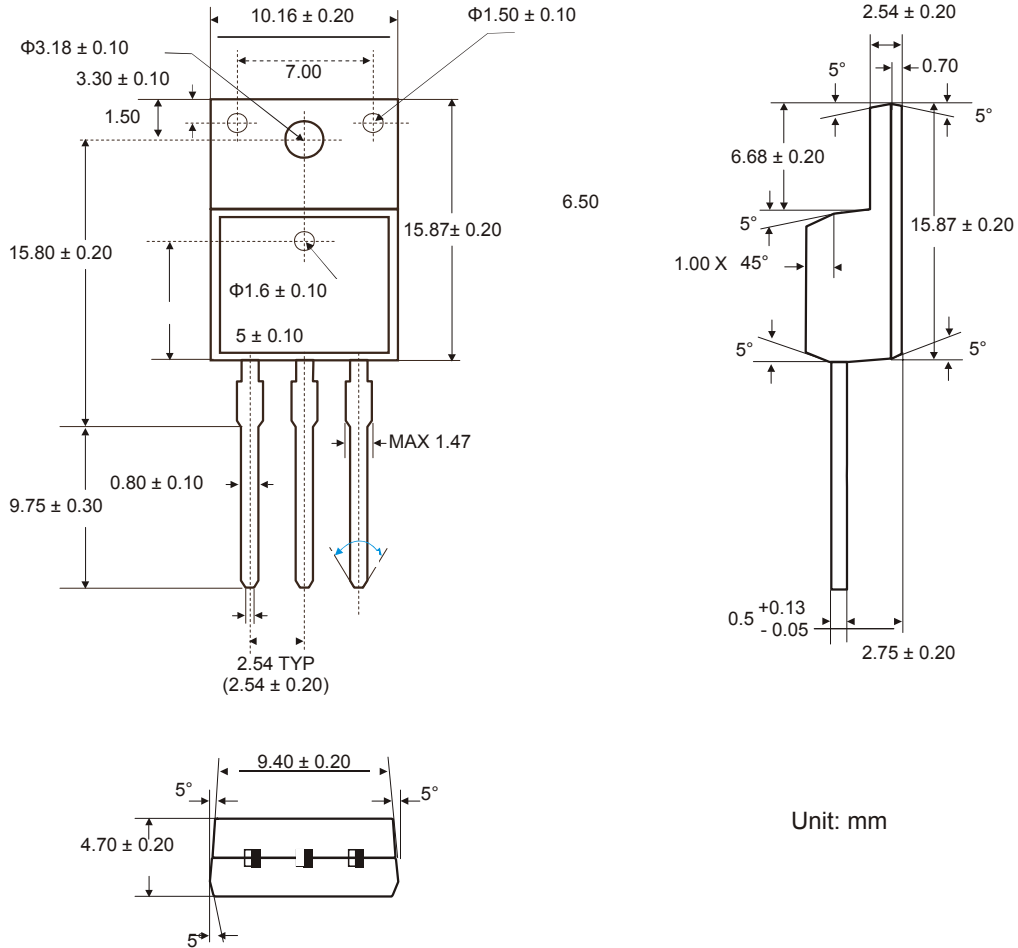
PARAMETER	SYMBOL	Test Condition	Min	Typ	Max	Units
DC Forward Voltage	$V_F$	$I_F = 5\text{A}$		0.77	0.81	V
Average Rectified Forward Current	$I_{F(AV)}$				5.0	A
Maximum Reverse Current	$I_R$	$V_R = 150\text{V}$	-	-	5	μA
		$V_R = 150\text{V}, T_J = 125^\circ\text{C}$		-	5	mA

## Package Outline Dimensions – TO220AB

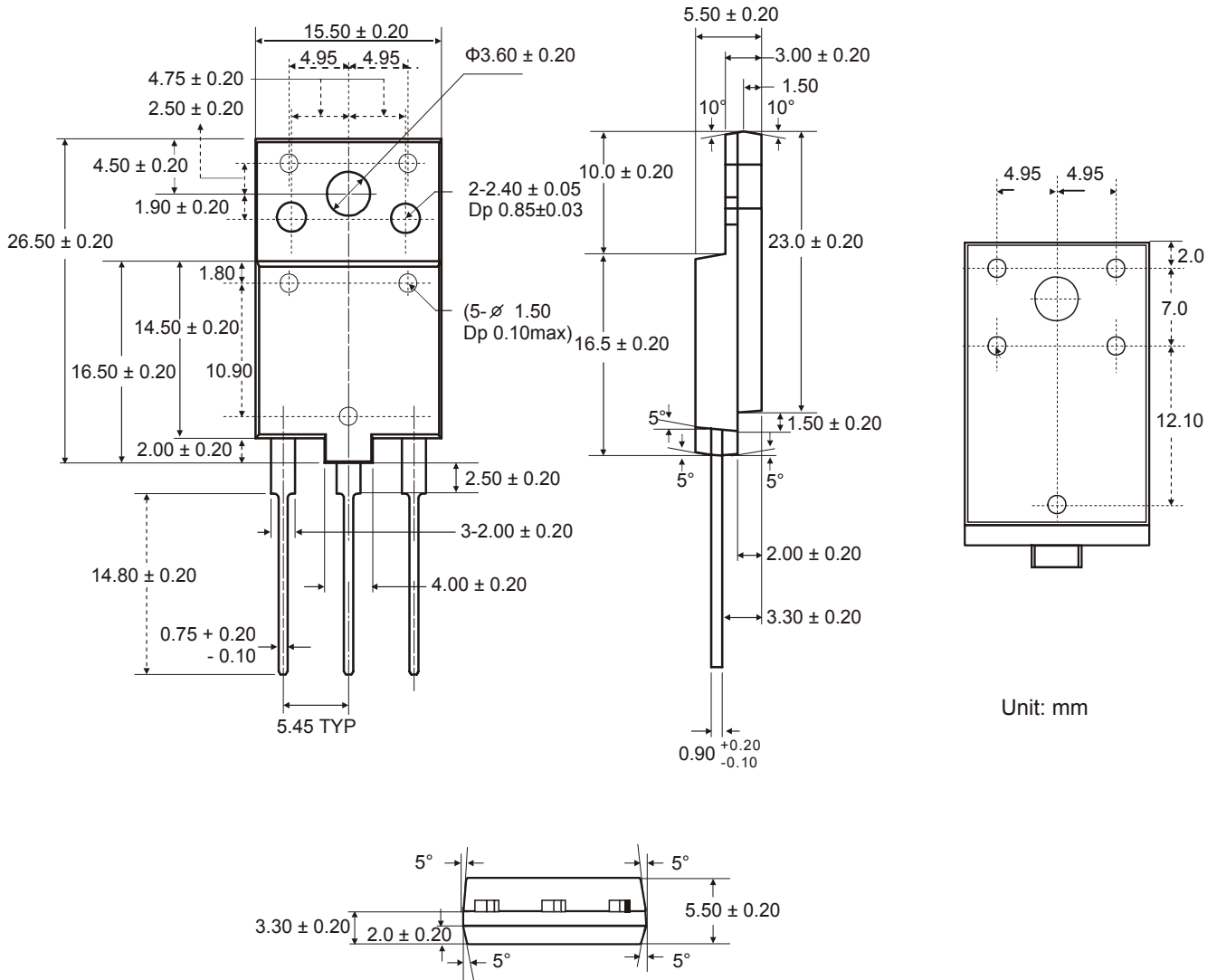


Unit: mm

## Package Outline Dimensions – TO220FPAB



### Package Outline Dimensions – TO-3PF



### Ordering Number

<b><u>GM</u></b>	<b><u>R</u></b>	<b><u>10</u></b>	<b><u>H</u></b>	<b><u>100</u></b>	<b><u>C</u></b>	<b><u>TB3</u></b>	<b><u>I</u></b>
APM Gamma Micro	Circuit Type: Rectifier	Rated Current 10A	Low $V_F$ Family	Rated Voltage 100V	Dual Cathode Common	Package TB3: TO220AB TBF3: TO220FPAB TPF3: TO-3PF	Shipping T: Tube R: Tape & Reel