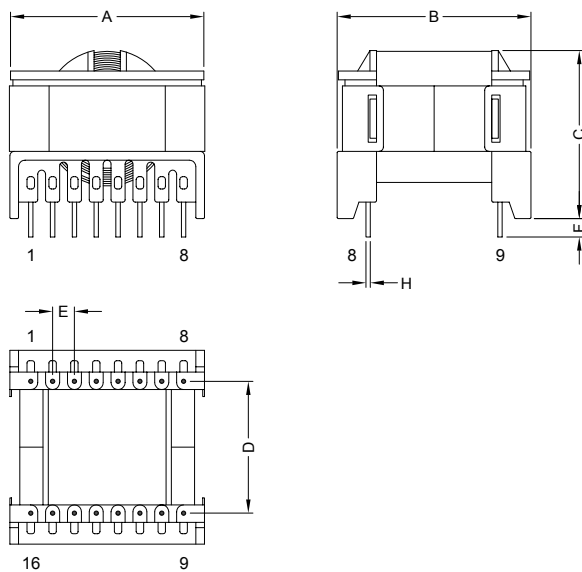


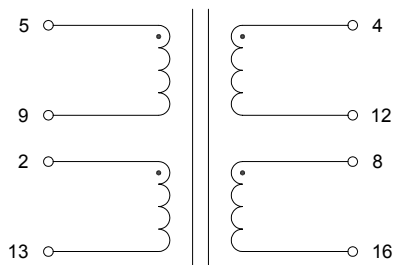
1. CONFIGURATION & DIMENSIONS :



Unit:m/m

A	B	C	D	E	F	H
45.50 Max.	45.00 Max.	34.50 Max.	30.20±0.30	5.08±0.30	4.00±0.50	Ø1.00 Ref.

2. SCHEMATIC :



3. SCHEMATIC :

- a) Bobbin : Phenolic
- b) Core : ETD39
- c) Wire : Polyurethane DD (1UEW)
- d) Tape : Polyester Film
- e) Varnish : Synthite AC-43
- f) Clip : ETD39



RoHS Compliant

NOTE : Specifications subject to change without notice. Please check our website for latest information.

26.06.2008



SUPERWORLD ELECTRONICS (S) PTE LTD

4. GENERAL SPECIFICATION :

- a) Operating Temperature Range : -25°C to +105°C
- b) Insulation Class : B (130°C)

5. ELECTRICAL CHARACTERISTICS :

Part No.	Inductance (L)	Conditions	Test Frequency	DCR @ 25°C
ETDD9HTF-50568	L : (2-13) = 70mH±20%	-	1KHz 0.1V	(2-13) = 3.3Ω Max.
	L : (5-9) = 70mH±20%	-	1KHz 0.1V	(5-9) = 3.3Ω Max.
	L : (4-12) = 6.5H±20%	-	1KHz 0.1V	(4-12) = 0.36KΩ Max.
	L : (8-16) = 6.5H±20%	-	1KHz 0.1V	(8-16) = 0.36KΩ Max.



RoHS Compliant

NOTE : Specifications subject to change without notice. Please check our website for latest information.

26.06.2008



SUPERWORLD ELECTRONICS (S) PTE LTD