



Kaga Electronics(USA) Inc.

ADAPTER-30W



FEATURE

Desktop	IEC 320/C8
Input range	90-264V/47~63Hz,0.7A max.
Output	5V~24V/1.25A~5A(30W max.)
Efficiency	80% typical
Protection	Short circuit protection/Over voltage protection
Load regulation	±5%
Leakage current	Less than 0.25mA
M.T.B.F.	50,000 hours min. at 25°C, full load
Cable type	UL2468/18AWG or 20AWG
Dimension	95X58X34
Weight(reference)	230g

APPLICATION

Telecommunication,Wireless device Computer,MODEM; Industrial controller, OA system

SAFETY & EMI

Safety	UL/cUL/GS/CB/PSE/BSMI
EMI	CE/FCC Class B , Conduction & Radiation MEET

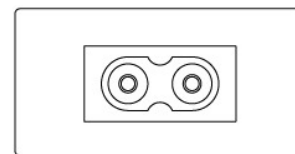
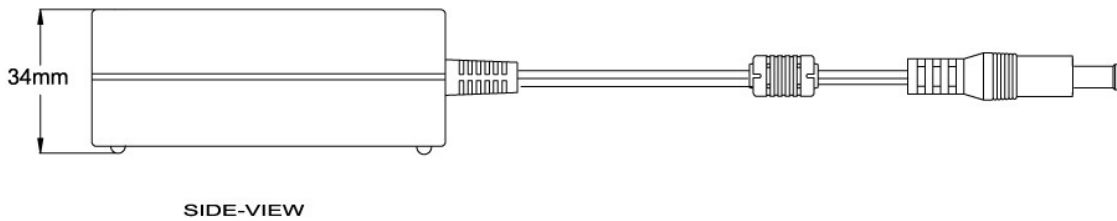
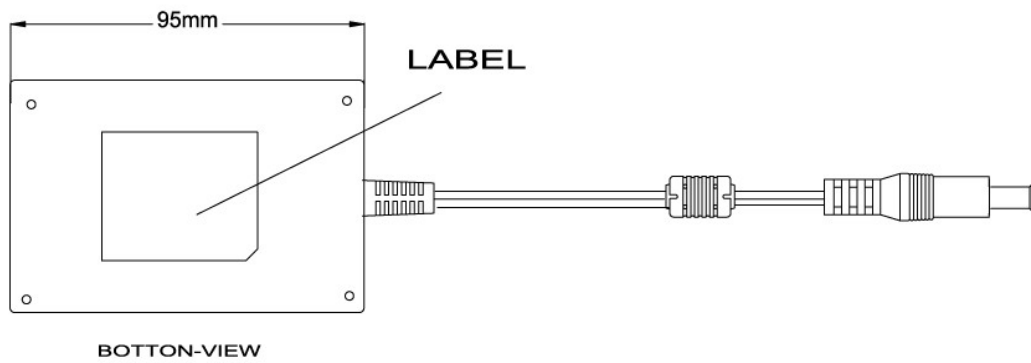
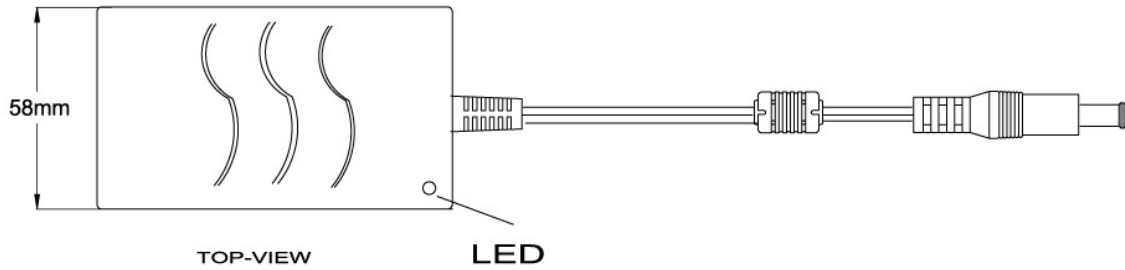
ENVIRONMENTAL

Operating temperature	0~+40°C
Storage Temperature	-20~+60°C
Relative Humidity	(operating)20~80%RH (storage)10~90%RH

PART NUMBERS

NO	MODEL NAME	Voltage(V)	Current(A)	Power(W)	INLET
1	STD-0505	5	5	25	2PIN
2	STD-0903	9	3	27	2PIN
3	STD-1225	12	2.5	30	2PIN
4	STD-1502	15	2	30	2PIN
5	STD-2412	24	1.25	30	2PIN

MECHANICAL DRAWING



BOTTOM VIEW