

MAFR-WiMax Series



Single Junction Surface Mount Circulator 2.4GHz, 2.6GHz, 3.35GHz, 3.5GHz

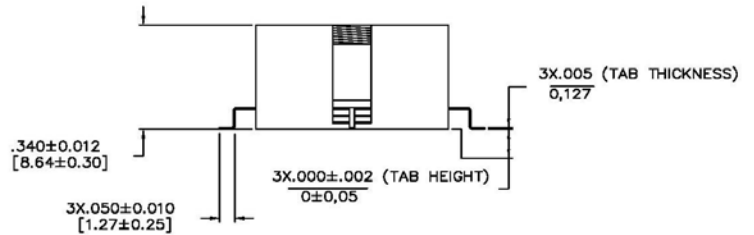
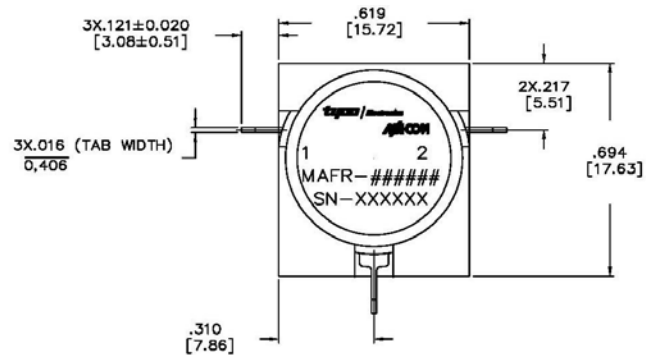
Rev. V1

Features

- Designed for WiMax market
- 25dB Isolation typical
- 0.20dB Insertion Loss typical
- Low cost package
- RoHS compliant
- Flat pack packaging

Description

This circulator is designed specifically for WiMax applications and features high reliability performance at a low cost. It is in a low cost package ideally suited for high volume manufacturing. M/A Com is one of the largest suppliers of isolator and circulators in the world.



Electrical Specifications

$T = T_{op}^1$, $Z_0 = 50 \text{ Ohms}$

| Parameter | Units | Min | Typ @25°C | Max |
|--------------------------|-------|-----------|-----------|------|
| Insertion Loss | dB | | 0.20 | 0.25 |
| Isolation | dB | 20.0 | 25.0 | |
| Return Loss (Port 1 & 2) | dB | 20.0 | 25.0 | |
| Intermodulation | dBc | 60.0 | 65.0 | |
| Circulation | | Clockwise | | |

Ordering Information

| Part Number | Frequency Range (GHz) |
|--------------------|-----------------------|
| MAFR-000229-000001 | 2.3-2.5 |
| MAFR-000050-5S4C1T | 2.5-2.7 |
| MAFR-000200-5S4C1T | 3.3-3.4 |
| MAFR-000159-5S4C1T | 3.4-3.6 |

1. See "Absolute Maximum Ratings" for T_{op} .

Absolute Maximum Ratings

| Parameter | Absolute Maximum |
|-----------------------|------------------|
| Forward Power, CW | 200 Watts |
| Reverse Power, CW | 200 Watts |
| Peak Power | 1000 Watts |
| Operating Temperature | -40°C to +85°C |
| Storage Temperature | -40°C to +100°C |

ADVANCED: Data Sheets contain information regarding a product M/A-COM Technology Solutions is considering for development. Performance is based on target specifications, simulated results, and/or prototype measurements. Commitment to develop is not guaranteed.

PRELIMINARY: Data Sheets contain information regarding a product M/A-COM Technology Solutions has under development. Performance is based on engineering tests. Specifications are typical. Mechanical outline has been fixed. Engineering samples and/or test data may be available. Commitment to produce in volume is not guaranteed.

• **North America** Tel: 800.366.2266 • **Europe** Tel: +353.21.244.6400
 • **India** Tel: +91.80.4155721 • **China** Tel: +86.21.2407.1588
 Visit www.macomtech.com for additional data sheets and product information.

M/A-COM Technology Solutions Inc. and its affiliates reserve the right to make changes to the product(s) or information contained herein without notice.