

N Series Crystal



- Industry Standard Package
- AT and BT Cut
- RoHS Compliant Available
- Replaces MA-505 and MA-506
- Resistance Weld



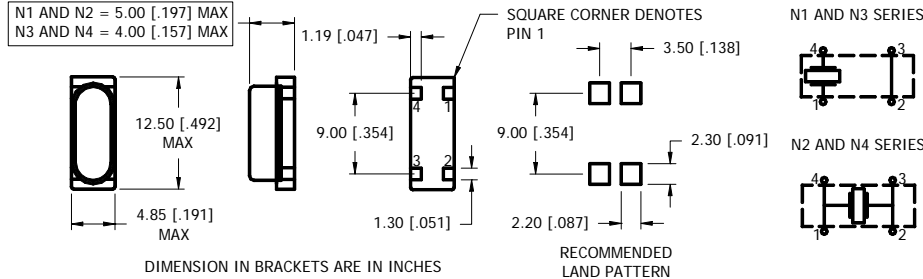
ELECTRICAL SPECIFICATIONS:

Frequency Range	3.200MHz to 91.730MHz
Frequency Tolerance / Stability	(See Part Number Guide for Options)
Operating Temperature Range	(See Part Number Guide for Options)
Storage Temperature	-55°C to +125°C
Aging	±5ppm / first year max
Shunt Capacitance	7pF Max
Load Capacitance	(See Part Number Guide for Options)
Equivalent Series Resistance	See ESR Chart
Mode of Operation	Fundamental, or 3 rd OT
Drive Level	1mW Max
Shock	MIL-STD-883, Meth 2002, Cond B
Solderability	MIL-STD-883, Meth 2003
Solvent Resistance	MIL-STD-202, Meth 215
Vibration	MIL-STD-883, Meth 2007, Cond A
Gross Leak Test	MIL-STD-883, Meth 1014, Cond C
Fine Leak Test	MIL-STD-883, Meth 1014, Cond A

ESR CHART:

Frequency Range	ESR (Ohms)	Mode / Cut
3.200MHz to 4.999MHz	200 Max	Fund / AT
5.000MHz to 5.999MHz	150 Max	Fund / AT
6.000MHz to 7.999MHz	120 Max	Fund / AT
8.000MHz to 8.999MHz	90 Max	Fund / AT
9.000MHz to 9.999MHz	80 Max	Fund / AT
10.000MHz to 16.999MHz	50 Max	Fund / AT
17.000MHz to 24.999MHz	40 Max	Fund / AT
25.000MHz to 36.000MHz	25 Max	Fund / AT
24.000MHz to 40.000MHz	80 Max	Fund / BT
24.000MHz to 34.999MHz	100 Max	3 rd OT / AT
35.000MHz to 59.999MHz	80 Max	3 rd OT / AT
60.000MHz to 91.730MHz	60 Max	3 rd OT / AT

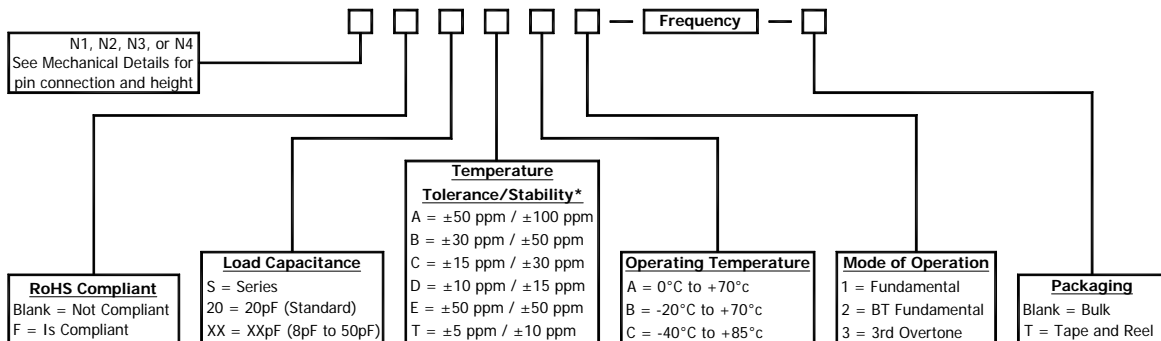
MECHANICAL DETAILS:



MARKING:

Line 1 = MXX.XXX
 XX.XXX = Frequency in MHz (5 digits)
 Line 2 = ZZXXXMY
 ZZ = N Series Identifier (N1, N2, N3, N4)
 XXX = Manufacturing Identifier
 MY = Date Code (Month/Year)

PART NUMBER GUIDE:



Please Consult with MMD Sales Department for any other Parameters or Options

MMD Components, 30400 Esperanza, Rancho Santa Margarita, CA, 92688
 Phone: (949) 709-5075, Fax: (949) 709-3536, www.mmdcomp.com
 Sales@mmdcomp.com