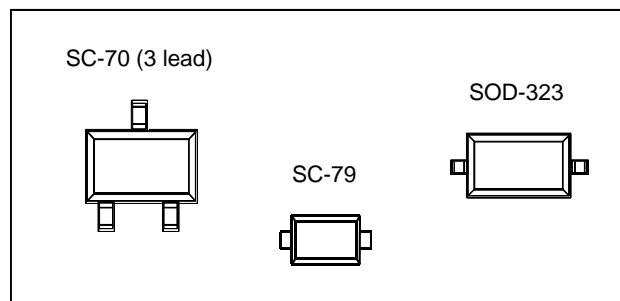


Features

- Ultra High Capacitance Ratio,
 $C(0.1V)/C(4.7V) = 18:1$
 $C(0.1V)/C(2.7V) = 12:1$
- Surface Mount Plastic Packages: SC-79, SOD-323, SC-70, 3 Lead
- SPC Process for Superior C vs. V and Q vs. V Repeatability
- RoHS Compliant equivalents available with 260°C reflow compatibility



Description and Applications

M/A-COM's MA4ST2000 series is a highly repeatable, UHCVD/ion-implanted, hyperabrupt silicon tuning varactor in a cost effective surface mount package. This series of varactors is designed for high capacitance ratio for low battery voltage operation. It is efficient for wide band tuning and low phase noise application where the supply voltage is limited to 5 volts or less. Varactors in this series have a typical 18:1 capacitance ratio between 0.1 V and 4.7 V and a 12:1 ratio between 0.1 V and 2.7 V. The Varactors are offered as Singles in both SC-79 and SOD-323 configurations with Common Cathode version offered in a SC-70, 3 Lead. These diodes are offered with standard Sn/Pb plating, as well as 100% matte Sn plating on our RoHs compliant equivalent devices.

Absolute Maximum Ratings ^{1,2}

@ T_A=+25 °C (Unless Otherwise Noted)

Parameter	Absolute Maximum
Reverse Voltage	12 V
Forward Current	50 mA
Operating Temperature	-55 °C to +125 °C
Storage Temperature	-55 °C to +125 °C

1. Operation of this device above any one of these parameters may cause permanent damage.
2. Please refer to application note M538 for surface mounting instructions

Part Number (Contains lead)	RoHS Compliant Part Number	Configuration	Package	Package Cp (pF)	Package Ls (nH)
	MAVR-002200-12790T	Single	SC-79	0.10	0.6
	MAVR-002300-12790T	Single	SC-79	0.10	0.6
	MAVR-002400-12790T	Single	SC-79	0.10	0.6
	MAVR-002500-12790T	Single	SC-79	0.10	0.6
	MAVR-002600-12790T	Single	SC-79	0.10	0.6
	MAVR-002200-11410T	Single	SOD-323	0.11	1.2
	MAVR-002300-11410T	Single	SOD-323	0.11	1.2
	MAVR-002400-11410T	Single	SOD-323	0.11	1.2
	MAVR-002500-11410T	Single	SOD-323	0.11	1.2
	MAVR-002600-11410T	Single	SOD-323	0.11	1.2
MA4ST2200CK-1146T	MAVR-002200-1146FT	Common Cathode	SC-70 (3L)	0.12	1.3
MA4ST2300CK-1146T	MAVR-002300-1146FT	Common Cathode	SC-70 (3L)	0.12	1.3
MA4ST2400CK-1146T	MAVR-002400-1146FT	Common Cathode	SC-70 (3L)	0.12	1.3
MA4ST2500CK-1146T	MAVR-002500-1146FT	Common Cathode	SC-70 (3L)	0.12	1.3
MA4ST2600CK-1146T	MAVR-002600-1146FT	Common Cathode	SC-70 (3L)	0.12	1.3

1

Specifications subject to change without prior notification

ADVANCED: Data Sheets contain information regarding a product M/A-COM Technology Solutions is considering for development. Performance is based on target specifications, simulated results, and/or prototype measurements. Commitment to develop is not guaranteed.

PRELIMINARY: Data Sheets contain information regarding a product M/A-COM Technology Solutions has under development. Performance is based on engineering tests. Specifications are typical. Mechanical outline has been fixed. Engineering samples and/or test data may be available. Commitment to produce in volume is not guaranteed.

• **North America** Tel: 800.366.2266 • **Europe** Tel: +353.21.244.6400
 • **India** Tel: +91.80.4155721 • **China** Tel: +86.21.2407.1588

Visit www.macomtech.com for additional data sheets and product information.

M/A-COM Technology Solutions Inc. and its affiliates reserve the right to make changes to the product(s) or information contained herein without notice.

MA4ST2000 Series



Ultra High Ratio Si Hyperabrupt Varactor Diode

Rev. V10

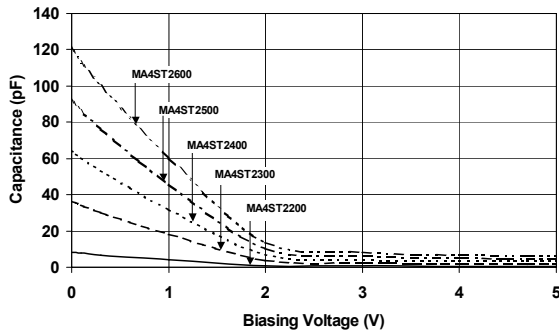
Electrical Specifications @ $T_A = +25^\circ\text{C}$

Breakdown Voltage @ $I_R = 10\mu\text{A}$, $V_b = 30\text{ V}$ Minimum;
Reverse Leakage Current @ $V_R = 10\text{V}$, $I_R = 100\text{ nA}$ Maximum

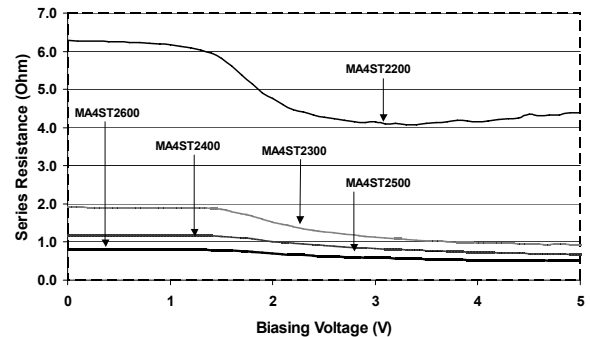
Part Number ¹	RoHS Compliant Part Number ¹	C_t^2 (pF)						Capacitance Ratio		R_s^3 (Ohm)	
		$V_R = 0.1\text{ V}$		$V_R = 1.0\text{ V}$		$V_R = 2.7\text{ V}$	$V_R = 4.7\text{ V}$	$C_{t0.1}/C_{t4.7}$	$C_{t0.1}/C_{t2.7}$	$V_R = 4.0\text{ V}$	
		Typ.	Min.	Nom.	Max.	Typ.	Typ.	Typ.	Typ.	Typ.	Max.
MA4ST2200	MAVR-002200-XXXXXX ³	7.68	3.7	4.1	4.5	0.70	0.47	16.3	11.0	3.84	4.6
MA4ST2300	MAVR-002300-XXXXXX ³	34.2	16.2	18.0	19.8	2.67	1.85	18.5	12.8	0.95	1.2
MA4ST2400	MAVR-002400-XXXXXX ³	60.3	29	32	35.2	4.98	3.27	18.4	12.1	0.67	0.9
MA4ST2500	MAVR-002500-XXXXXX ³	86.4	41.4	46.0	50.6	6.68	4.64	18.6	12.9	0.61	0.8
MA4ST2600	MAVR-002600-XXXXXX ³	113.3	54.3	60.3	66.4	9.14	6.27	18.1	12.4	0.54	0.7

- The suffix defines package style, configuration, and packaging information. Contact representative for complete part identification.
- Capacitance @ 1 MHz
- Series Resistance @ 100 MHz

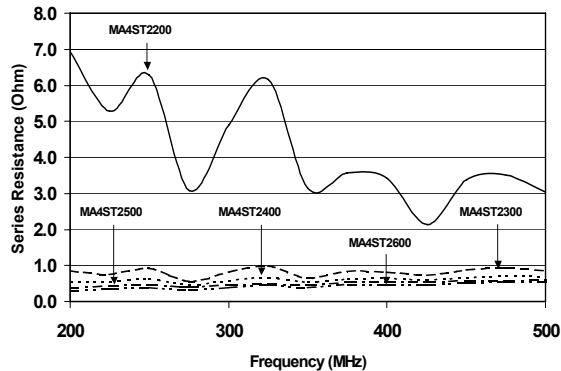
Typical Capacitance vs. Biasing Voltage



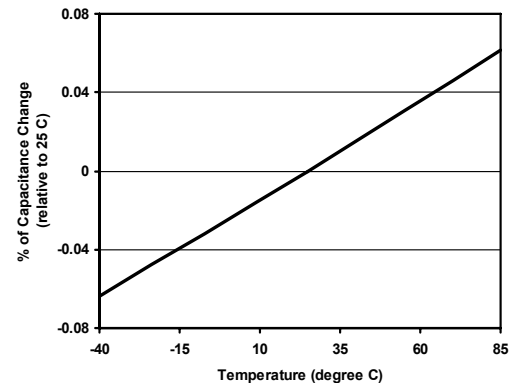
Typical Series Resistance vs. Biasing Voltage



Typical Series Resistance vs. Frequency



Typical Capacitance Change vs. Temperature



2

Specifications subject to change without prior notification

ADVANCED: Data Sheets contain information regarding a product M/A-COM Technology Solutions is considering for development. Performance is based on target specifications, simulated results, and/or prototype measurements. Commitment to develop is not guaranteed.

PRELIMINARY: Data Sheets contain information regarding a product M/A-COM Technology Solutions has under development. Performance is based on engineering tests. Specifications are typical. Mechanical outline has been fixed. Engineering samples and/or test data may be available. Commitment to produce in volume is not guaranteed.

• North America Tel: 800.366.2266 • Europe Tel: +353.21.244.6400
 • India Tel: +91.80.4155721 • China Tel: +86.21.2407.1588

Visit www.macomtech.com for additional data sheets and product information.

M/A-COM Technology Solutions Inc. and its affiliates reserve the right to make changes to the product(s) or information contained herein without notice.

MA4ST2000 Series



Ultra High Ratio Si Hyperabrupt Varactor Diode

Rev. V10

Typical Capacitance Values

V_R (V)	MA4ST2200 MAVR-002200- XXXXXX	MA4ST2300 MAVR-002300- XXXXX MAVR-002301- 11410T	MA4ST2400 MAVR-002400- XXXXXX	MA4ST2500 MAVR-002500- XXXXXX	MA4ST2600 MAVR-002600- XXXXXX
	Ct (pF)	Ct (pF)	Ct (pF)	Ct (pF)	Ct (pF)
0.1	7.643	34.06	60.26	86.48	113.09
0.3	6.746	30.07	53.12	76.34	99.80
0.5	5.948	26.56	46.81	67.36	88.07
1.0	4.006	18.00	31.75	46.09	60.31
1.5	1.895	8.313	15.52	22.83	30.21
2.0	0.985	3.941	7.470	10.05	13.94
2.5	0.744	2.889	5.407	7.112	9.952
3.0	0.638	2.429	4.512	5.918	8.274
3.5	0.579	2.166	4.000	5.275	7.332
4.0	0.543	1.993	3.663	4.895	6.749
4.5	0.517	1.845	3.370	4.691	6.317
5.0	0.469	1.771	3.200	4.557	6.086

Specifications subject to change without prior notification

ADVANCED: Data Sheets contain information regarding a product M/A-COM Technology Solutions is considering for development. Performance is based on target specifications, simulated results, and/or prototype measurements. Commitment to develop is not guaranteed.

PRELIMINARY: Data Sheets contain information regarding a product M/A-COM Technology Solutions has under development. Performance is based on engineering tests. Specifications are typical. Mechanical outline has been fixed. Engineering samples and/or test data may be available. Commitment to produce in volume is not guaranteed.

• **North America** Tel: 800.366.2266 • **Europe** Tel: +353.21.244.6400
 • **India** Tel: +91.80.4155721 • **China** Tel: +86.21.2407.1588

Visit www.macomtech.com for additional data sheets and product information.

M/A-COM Technology Solutions Inc. and its affiliates reserve the right to make changes to the product(s) or information contained herein without notice.

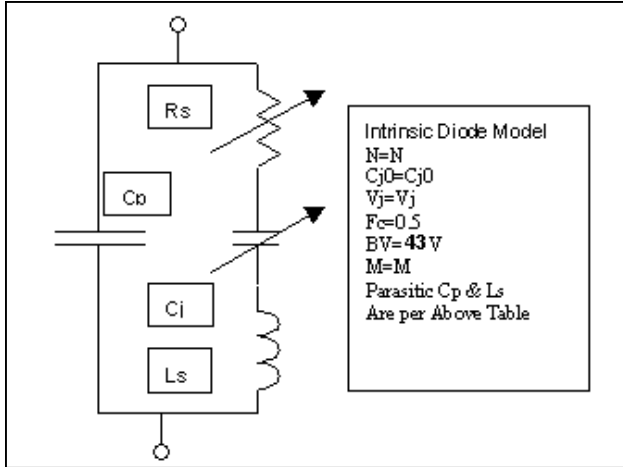
MA4ST2000 Series



Ultra High Ratio Si Hyperabrupt Varactor Diode

Rev. V10

Spice Model



Part Number	N	CJO (pF)	Vj (V)	M	Rs (Ω)
MA4ST2200 MAVR-002200-XXXXXX	1.261	10.2	12.62	18.60	1.114
MA4ST2300 MAVR-002300-XXXXXX MAVR-002301-11410T	1.210	46.8	2.450	4.268	1.085
MA4ST2400 MAVR-002400-XXXXXX	1.158	84.6	1.322	2.632	0.903
MA4ST2500 MAVR-002500-XXXXXX	1.204	100	1.616	2.700	0.842
MA4ST2600 MAVR-002600-XXXXXX	1.196	159	1.169	2.270	0.910

4 Specifications subject to change without prior notification

ADVANCED: Data Sheets contain information regarding a product M/A-COM Technology Solutions is considering for development. Performance is based on target specifications, simulated results, and/or prototype measurements. Commitment to develop is not guaranteed.
PRELIMINARY: Data Sheets contain information regarding a product M/A-COM Technology Solutions has under development. Performance is based on engineering tests. Specifications are typical. Mechanical outline has been fixed. Engineering samples and/or test data may be available. Commitment to produce in volume is not guaranteed.

• **North America** Tel: 800.366.2266 • **Europe** Tel: +353.21.244.6400
 • **India** Tel: +91.80.4155721 • **China** Tel: +86.21.2407.1588
 Visit www.macomtech.com for additional data sheets and product information.

M/A-COM Technology Solutions Inc. and its affiliates reserve the right to make changes to the product(s) or information contained herein without notice.

MA4ST2000 Series

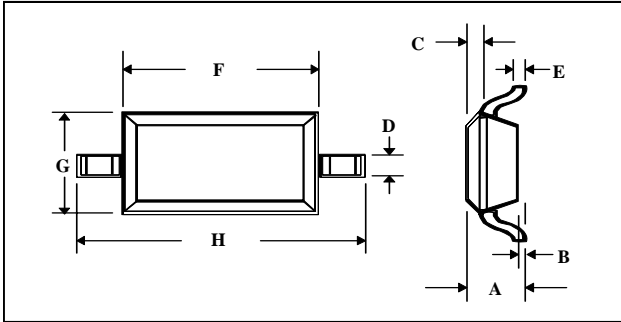


Ultra High Ratio Si Hyperabrupt Varactor Diode

Rev. V10

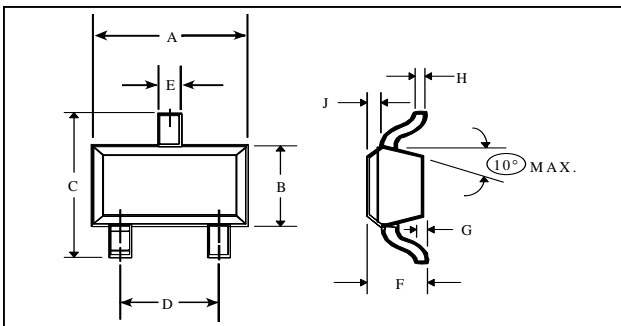
Case Styles

SOD-323 (Case Style 1141)



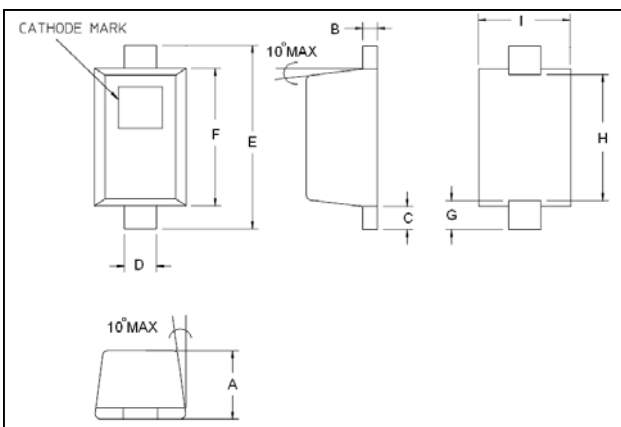
DIM.	INCHES		MILLIMETERS	
	MIN.	MAX.	MIN.	MAX.
A	—	0.043	—	1.1
B	—	0.004	—	0.1
C	—	0.008	—	0.2
D	0.010	0.016	0.25	0.4
E	0.003	0.006	0.08	0.15
F	0.063	0.075	1.6	1.9
G	0.045	0.057	1.14	1.45
H	0.091	0.106	2.3	2.7

SC-70, 3 Lead (Case Style 1146)



DIM.	INCHES		MILLIMETERS	
	MIN.	MAX.	MIN.	MAX.
A	0.071	0.087	1.80	2.21
B	0.045	0.053	1.14	1.35
C	0.071	0.094	1.80	2.40
D	0.047	0.057	1.19	1.45
E	0.010	0.016	0.25	0.41
F	0.031	0.039	0.80	1.00
G	0.000	0.004	0.00	0.10
H	0.004	0.007	0.10	0.18
J	0.004	0.010	0.10	0.25

SC-79 (Case Style 1279)



DIM.	INCHES		MILLIMETERS	
	MIN.	MAX.	MIN.	MAX.
A	0.020	0.028	0.50	0.71
B	0.003	0.008	0.08	0.20
C	0.006	0.010	0.15	0.25
D	0.010	0.014	0.25	0.36
E	0.059	0.067	0.08	0.15
F	0.043	0.051	1.50	1.30
G	0.011	0.012	0.28	0.30
H	0.037 typical	0.043	0.94	1.09
I	.028	.035	0.71	0.89

Specifications subject to change without prior notification

ADVANCED: Data Sheets contain information regarding a product M/A-COM Technology Solutions is considering for development. Performance is based on target specifications, simulated results, and/or prototype measurements. Commitment to develop is not guaranteed.

PRELIMINARY: Data Sheets contain information regarding a product M/A-COM Technology Solutions has under development. Performance is based on engineering tests. Specifications are typical. Mechanical outline has been fixed. Engineering samples and/or test data may be available. Commitment to produce in volume is not guaranteed.

• **North America** Tel: 800.366.2266 • **Europe** Tel: +353.21.244.6400
 • **India** Tel: +91.80.4155721 • **China** Tel: +86.21.2407.1588

Visit www.macomtech.com for additional data sheets and product information.

M/A-COM Technology Solutions Inc. and its affiliates reserve the right to make changes to the product(s) or information contained herein without notice.

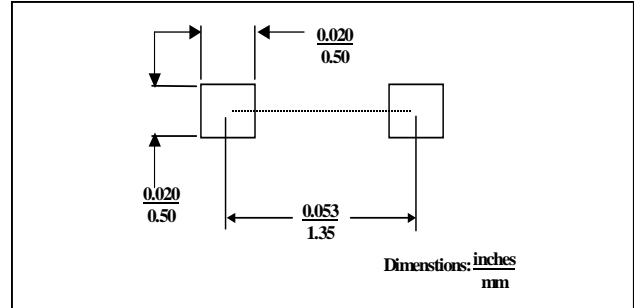
Mounting Information

The illustration indicates the recommended mounting pad configuration for the SC-79, SC70 3LD and SOD-323 packages. Solder paste containing flux should be screened onto the pads to a thickness of 0.005- 0.007 inches. The plastic package is placed in position, firmly adhering to the solder paste.

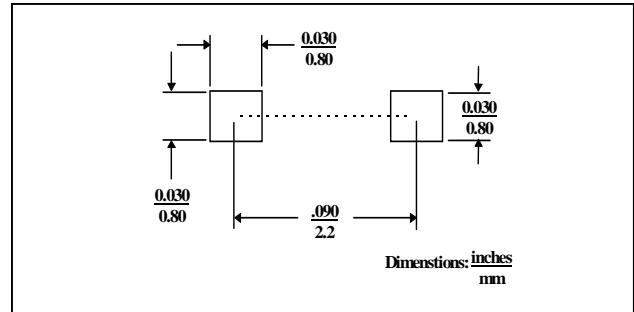
Permanent attachment is performed by a reflow soldering procedure during which the tab temperature does not exceed +275 °C and the body temperature does not exceed +250 °C, for standard models and +260 °C for the RoHS compliant devices.

Please refer to Application Note M538 for surface mounting instructions.

SC-79 (Case Style 1279)



SOD-323 (Case Style 1141)



SC-70, 3 Lead (Case Style 1146)

