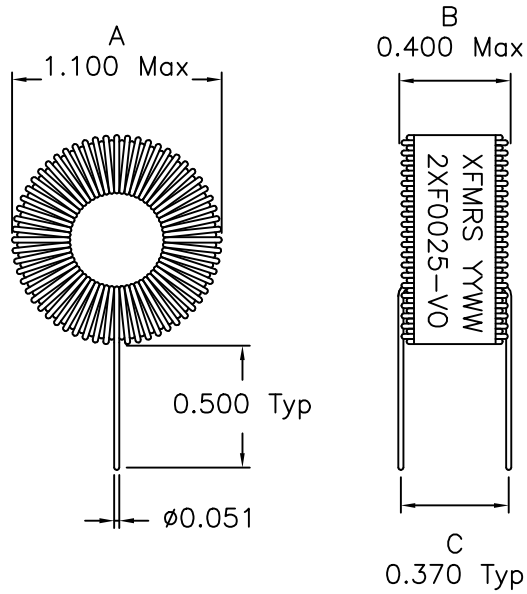
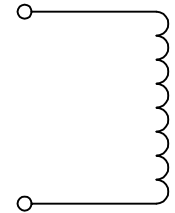


1. Mechanical Dimensions:



2. Schematic:



3. Electrical Specifications:

Inductance: 25.0uH $\pm 10\%$ @1.0KHz,1.0V

Inductance: 15.0uH Min @1.0KHz,1.0V 6Adc

DC Resistance: 0.020 Ohms Max.

Note:

1. Solderability: Leads shall meet MIL-STD-202, Method 208D for solderability.
2. Flammability: UL94V-0,
3. ASTM oxygen index: $> 28\%$,
4. Temperature rating: 155°C. UL file E151556,
5. Operating Temperature Range: All listed parameters are to be within tolerance from -40°C to $+85^{\circ}\text{C}$
6. the tinned length is the same as the lead length.

DOC. REV. A/2

XFMRS Inc.	Title: Toroid Inductor		
	UNLESS OTHERWISE SPECIFIED	P/N: 2XF0025-V0	REV. A
	TOLERANCES:	DWN. 廖玉坤	Nov-30-00
	.xxx ± 0.010	CHK. 李清儿	Nov-30-00
Dimensions in Inch	APP. Joe Huff	Nov-30-00	
SHEET 1 OF 1			