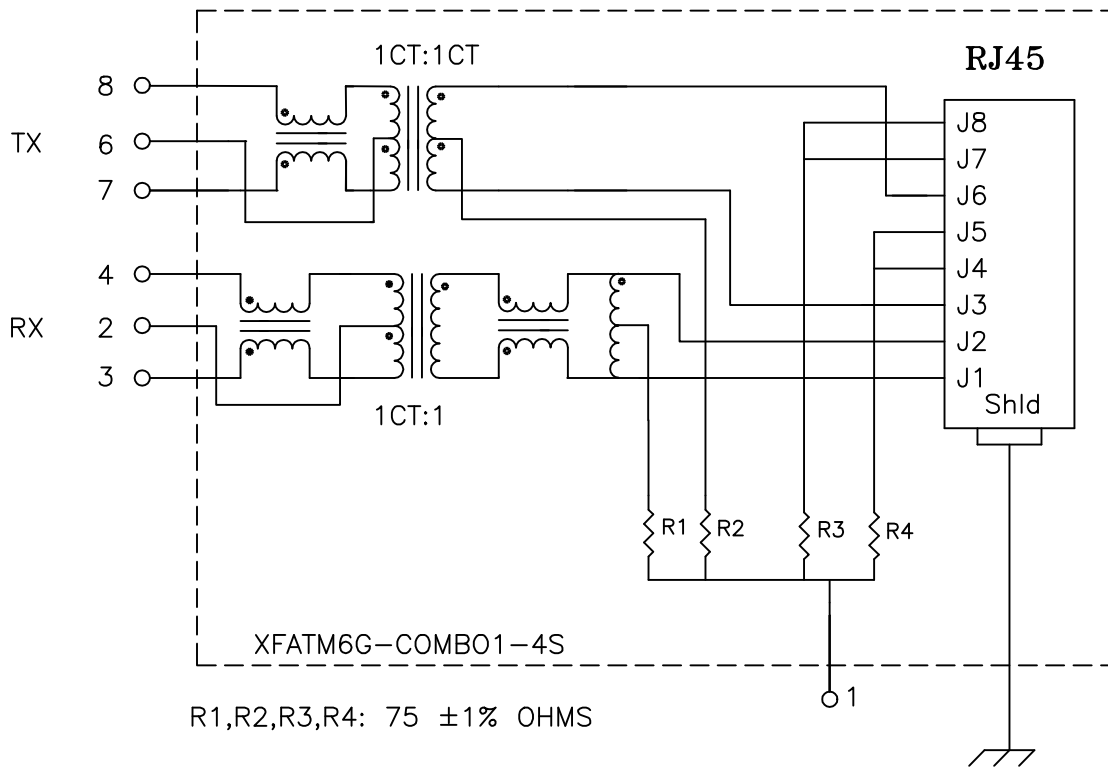


Schematic:



Electrical Specifications: @25°C

Isolation Voltage: 1500 Vac
 Isolation Voltage: 500 Vac (6+5+4-3+2+1)
 UTP SIDE OCL: 350uH Min @100KHz 100mV 8mADC
 Rise Time (10-90%): 2.5ns Typical
 Insertion Loss (300KHz-100MHz): -1.1dB Maximum
 Insertion Loss (100MHz-125MHz): -1.5dB Maximum
 Return Loss: -12dB Typical @300KHz - 100MHz
 Crosstalk:
 100KHz-60MHz -40dB Typical
 60MHz-100MHz -38dB Typical
 Common Mode to Differential Mode Rejection:
 100KHz-60MHz -45dB Typ (Tx) / -40dB Typ (Rx)
 60MHz-100MHz -40dB Typ (Tx) / -35dB Typ (Rx)

Note:

1. Solderability: Leads shall meet MIL-STD-202, Method 208D for solderability.
2. Flammability: UL94V-0,
3. ASTM oxygen index: > 28% ,
4. Temperature rating: 155°C. UL file E151556,
5. Operating Temperature Range: -40°C to +85°C

XFMRs Inc.

Title:

SINGLE PORT COMBO

UNLESS OTHERWISE SPECIFIED

P/N: XFATM6G-COMBO1-4S

REV. A

TOLERANCES:

DWN.

李小锋

Sep-12-02

.xxx ±0.010

CHK.

廖玉坤

Sep-12-02

Dimensions in Inch

APP.

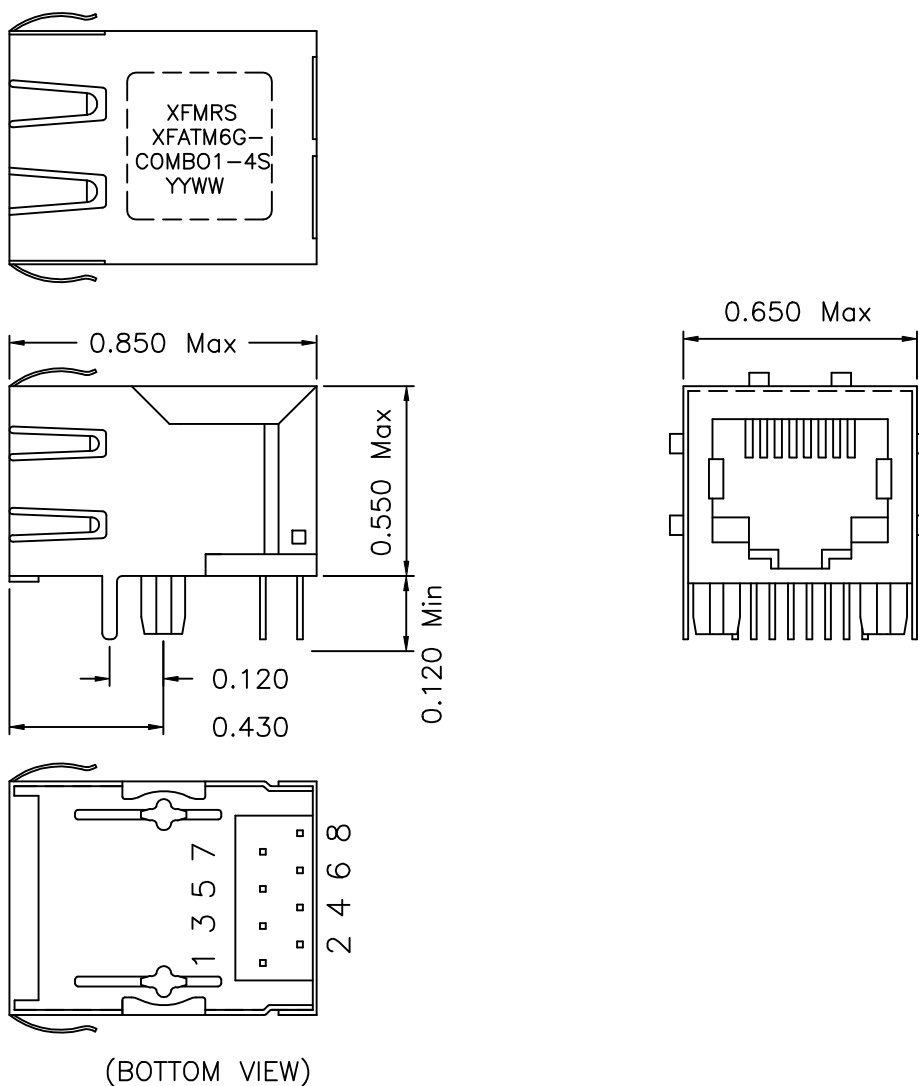
BW

Sep-12-02

DOC. REV: A/1

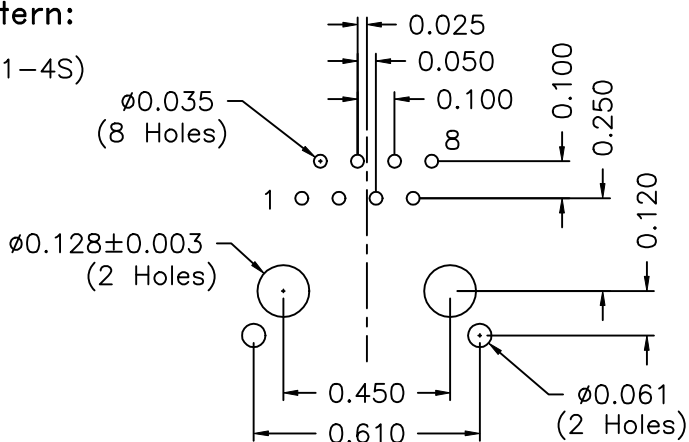
SHEET 1 OF 2

Mechanical Dimensions:



Mounting Pattern:

(FOR COMBO1-4S)
(COMP SIDE)



XFMRS Inc.	Title: Mechanical Dimensions For COMBO1-4S Series	
UNLESS OTHERWISE SPECIFIED TOLERANCES: .xxx ± 0.010 Dimensions in Inch	P/N: XFATM6G-COMBO1-4S	REV. A
	DWN.	李小锋 Sep-12-02
	CHK.	廖玉坤 Sep-12-02
	APP.	BW Sep-12-02